

## Data sheet

Art.No.: 41.022.3043.9

Connector RST08i3/2S S1 ZR1SH BL

RST08i3/2 connector, 2 pole, male, screw connection, application 250V/400V, 8A, for cable diameters 4-7mm, coding color light blue, color of housing black



Art.No.	41.022.3043.9
EAN	4049088482137
Order Unit	1

Certificates / Approvals



## Technical data

### General

Rated current	8 A
Rated voltage	250 V / 400 V
Rated impulse voltage	2.5 kV
strain relief	Yes
Pollution degree	3
Lockable	self-locking (unlocking by hand)
Color of coding/ contact carrier	light blue
Marking of poles	1, 2/N
Color of housing inclusive strain relief	black

### Connection Data

Cable diameter max.	7 mm
Cable diameter min.	4 mm
Connection cross section solid mm <sup>2</sup> max.	1 mm <sup>2</sup>
Connection cross section solid mm <sup>2</sup> min.	0.2 mm <sup>2</sup>
Connection cross section fine stranded mm <sup>2</sup> max.	1 mm <sup>2</sup>
Connection cross section fine stranded mm <sup>2</sup> min.	0.22 mm <sup>2</sup>
Terminations per pole	1
sheath strip length	18 mm
Wire strip length	6 mm

### Model

Model	male
Connection type	Screw connection
Degree of protection (IP)	IP66/68 (3m;2h) /IP69

### Material

Housing material	Polyamide
halogen free	Yes
Contact material	CuZn
Fire load	0 kWh

Insulation components continuous temperature	100 °C
Surface finish	Silver-plated
UL classification housing	UL-V0
UL classification strain relief	UL-V0

**Dimensions**

Length	41.8 mm
Width	14.9 mm
Height	14.9 mm

**Classification**

ECLASS 8.1	27440605
ETIM 7.0	EC002560
ETIM 6.0	EC002560
ETIM 5.0	EC002560
ETIM 4.0	EC002560

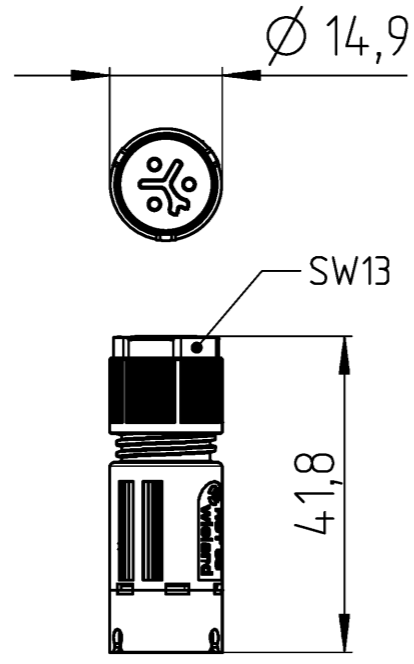
A  
 Weitergabe sowie Vervielfältigung dieses Dokuments, Verwertung und Mitteilung seines Inhalts sind verboten, soweit nicht ausdrücklich gestattet.  
 The reproduction, distribution and utilization of this document as well as the communication of its contents to others without express authorization is prohibited.

B  
 These dimensions will be especially checked at delivery  
 Only inspection dimensions  
 With /E marked dimensions are only valid for internal use

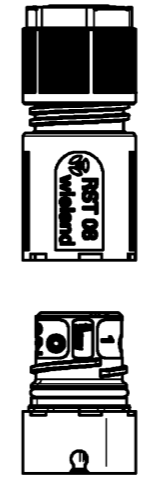
C  
 Diese Maße werden bei Abnahme besonders geprüft  
 Ausschließlich Prüfmaße  
 Mit /E gekennzeichnete Maße sind nur für interne Zwecke gültig

D  
 F  
 Änderung / Revision

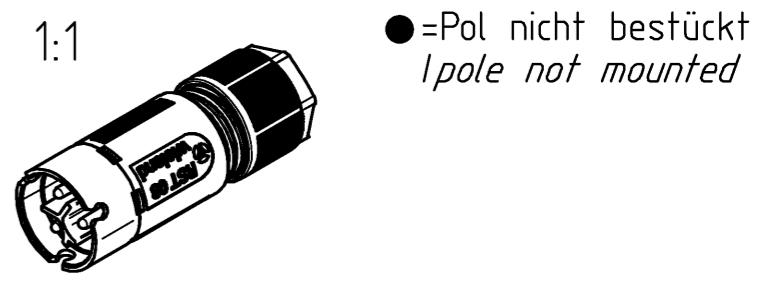
Gezeichnete Ausführung/drawn version  
 41.032.3053.1



Auslieferungszustand/  
 delivery status



Teile-Nr. /part-no.	Type	Kodierung /coding
41.032.3053.1	RST08i3 S S1 ZR1 H SW	C1
4L.032.3053.1	RST08i3 S 21 ZR1 H SW	
41.032.3043.9	RST08i3 S S1 ZR1SH BL	C2
4L.032.3043.9	RST08i3 S 21 ZR1SH BL	
41.032.3041.4	RST08i3 S S1 ZR1SHL SG	C3
4L.032.3041.4	RST08i3 S 21 ZR1SHL SG	
41.032.3051.8	RST08i3 S S1 ZR1SHL KG	C4
4L.032.3051.8	RST08i3 S 21 ZR1SHL KG	
41.022.3043.1	RST08i3/2S S1 ZR1 H SW	C1
4L.022.3043.1	RST08i3/2S 21 ZR1 H SW	
41.022.3043.9	RST08i3/2S S1 ZR1SH BL	C2
4L.022.3043.9	RST08i3/2S 21 ZR1SH BL	
41.022.3041.4	RST08i3/2S S1 ZR1SHL SG	C3
4L.022.3041.4	RST08i3/2S 21 ZR1SHL SG	
41.022.3041.8	RST08i3/2S S1 ZR1SHL KG	C4
4L.022.3041.8	RST08i3/2S 21 ZR1SHL KG	



Weitere Daten siehe KATALOG oder eKatalog  
 additional data see CATALOG or eCATALOG  
[www.wieland-electric.com](http://www.wieland-electric.com)  
[eshop.wieland-electric.com](http://eshop.wieland-electric.com)

Tolerierung Size ISO 14405 © / Tolerance system Size ISO 14405 ©. (This ISO-standard describes the envelope principle. According to the envelope principle the deviations of form and parallelism are limited by the size tolerances).		ja/yes <input checked="" type="checkbox"/> Stoffverbots- und Deklarationsliste nach WN 5020.010 ist einzuhalten. Conformity with Wieland document WN 5020.010 e (list of prohibited / declarable hazardous substances) to be declared!	
Freitoleranz nach General tolerance	CAD - Zeichnung, keine manuellen Änderungen CAD - drawing, no manual modifications allowed	1. Verwendung: First Use:	Blatt: Sheet: 1 von 1 of 1
/	Werkstoff / Material	Tag/Date	Name
/		22.02.2018	Hollet
/	Maßstab / Scale	gezeichnet drawn	
/	1:1	geprüft checked	
/		Normgepr. Stand. check	
/	Vol. mm <sup>3</sup> Dfl./Srf. mm <sup>2</sup>	Ersatz für / Replacement for:	
/		Type	Benennung/Title
a	12.03.2020 /	RSTmicro	STECKERTEIL_FA_ZE
Index	Datum / Blatt Date / Sheet	male with strain relief	
Änderung / Revision			