

参考基板レイアウト (マウント面)  
P.C.B. PATTERN LAYOUT (REF.) (MOUNT AREA)

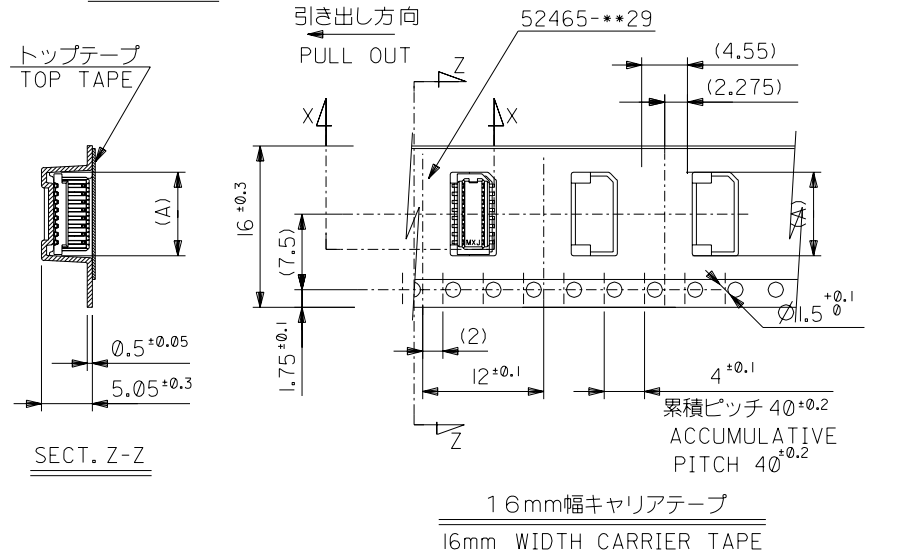
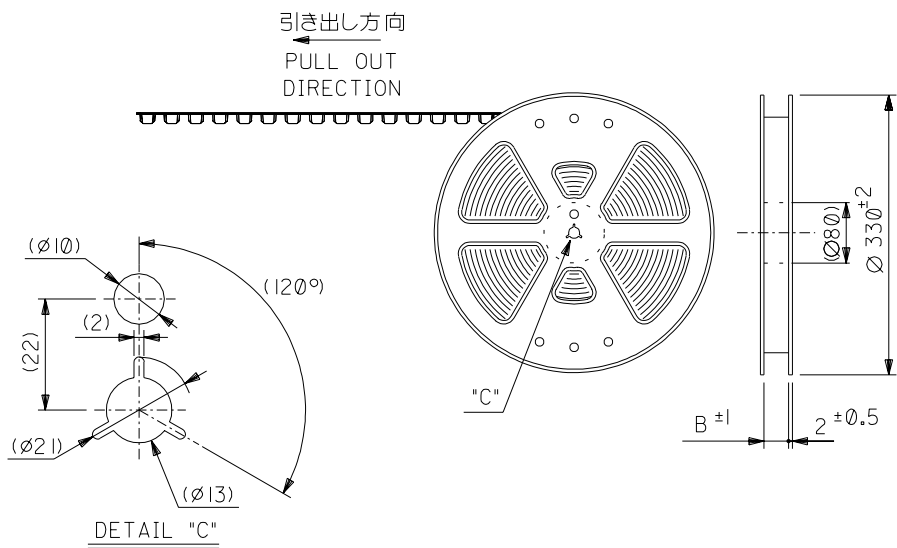
0.4	17.6	16.85	15.2	52465-4071	52465-4029	40
0.8	16.8	16.05	14.4	52465-3871	52465-3829	38
0.4	16.0	15.25	13.6	52465-3671	52465-3629	36
0.8	15.2	14.45	12.8	52465-3471	52465-3429	34
0.4	14.4	13.65	12.0	52465-3271	52465-3229	32
0.8	13.6	12.85	11.2	52465-3071	52465-3029	30
0.4	12.8	12.05	10.4	52465-2871	52465-2829	28
0.8	12.0	11.25	9.6	52465-2671	52465-2629	26
0.4	11.2	10.45	8.8	52465-2471	52465-2429	24
0.8	10.4	9.65	8.0	52465-2271	52465-2229	22
0.4	9.6	8.85	7.2	52465-2071	52465-2029	20
0.8	8.8	8.05	6.4	52465-1871	52465-1829	18
0.4	8.0	7.25	5.6	52465-1671	52465-1629	16
0.8	7.2	6.45	4.8	52465-1471	52465-1429	14
0.4	6.4	5.65	4.0	52465-1271	52465-1229	12
0.8	5.6	4.85	3.2	52465-1071	52465-1029	10
D	C	B	A	EMBOSSED TAPE ORDER No.	MATERIAL NO.	CKT.

NOTES

- 嵌合相手：53307, 53309 シリーズ  
MATES WITH 53307, 53309 SERIES
- ハウジングの C から隣接するターミナルの C 迄の位置を示す。  
SHOW POSITION FROM C OF HOUSING TO C OF ADJACENT TERMINALS.
- 一對の基板の嵌合に於いて、本製品を2個以上使用することは推奨できません。  
MXJ DOSE NOT RECOMMEND THE USAGE OF TWO OR MORE OF THESE CONNECTORS BETWEEN A SINGLE PAIR OF P. C. BOARD.
- 本製品は 52465-\*\*27 の鉛フリー品である。  
THIS PRODUCT IS LEAD FREE OF 52465-\*\*27.
- ELV及びRoHS適合品  
ELV AND RoHS COMPLIANT

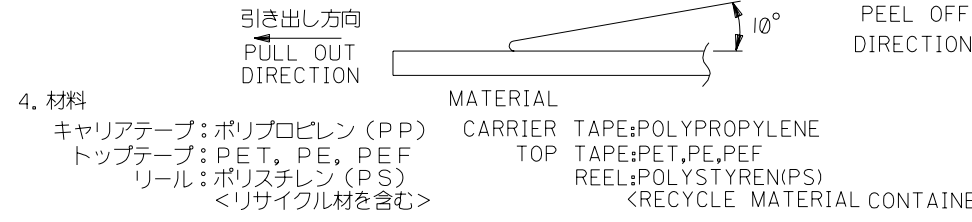
REVISED EC NO: J2010-0755 DRWN: TAKAGAWA01 2008/12/17 CHKD: SMARUYAMA 2010/03/24 APPR: MSASAO 2010/03/25	DESCRIPTION	GENERAL TOLERANCES (UNLESS SPECIFIED)		DIMENSION STYLE MM ONLY		SCALE 10:1		DESIGN UNITS METRIC		THIRD ANGLE PROJECTION	
		10 UNDER	±0.2	DRAWN BY Y. SAKIYAMA	DATE 2004/02/17	TITLE 0.8 BOARD TO BOARD CONN. HOUSING ASSY SMT					
		10 OVER 30 UNDER	±0.25	CHECKED BY M. SASAO	DATE 2004/02/17						
		30 OVER	±0.3	APPROVED BY M. SASAO	DATE 2004/02/17						
A	REV	ANGULAR ±3 °		MATERIAL NO. SEE TABLE		DOCUMENT NO. SD-52465-028		SHEET NO. 1 OF 1		THIS DRAWING CONTAINS INFORMATION THAT IS PROPRIETARY TO MOLEX INCORPORATED AND SHOULD NOT BE USED WITHOUT WRITTEN PERMISSION	
DRAFT WHERE APPLICABLE MUST REMAIN WITHIN DIMENSIONS		SIZE A3									

DWG. NO. SD-52465-029



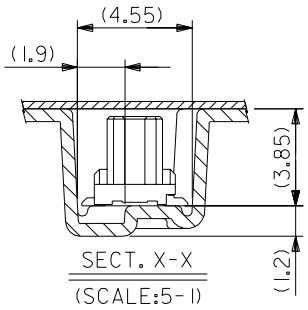
NOTES

- 梱包数量: 1000 個/リール NUMBER OF CONNECTORS: 1000 PCS/REEL
- リードテープ長さ LEAD TAPE LENGTH  
 トップテープ リーダー部 TOP TAPE LEADER PART 175 ±25  
 トップテープ 未接着部 TOP TAPE NON-BONDED PART 25 ±5  
 リーダー部 (空部) LEADER PART (EMPTY) 120 ±20  
 部品挿入部 COMPONENT SUPPLIER  
 末端部 (空部) TAIL PART (EMPTY) 150 ±40
- トップテープの剥離強度: 0.1 ~ 1.3N (10 ~ 130gf) (剥離方向は下図参照)  
 尚、本規格値は、出荷時に適用。(但し、輸送時に剥離が発生しない事。)  
 PEELING OFF FORCE OF TOP TAPE: 0.1 ~ 1.3N (10 ~ 130gf)  
 (PEELING DIRECTION AS SHOWN IN FOLLOWING FIG.)  
 THIS REQUIREMENT SHOULD BE APPLIED AT SHIPMENT  
 PEEL OFF SHOULD NOT BE ALLOWED, DURING TRANSPORTATION



- 材料  
 キャリアテープ: ポリプロピレン (PP) CARRIER TAPE: POLYPROPYLENE  
 トップテープ: PET, PE, PEF TOP TAPE: PET, PE, PEF  
 リール: ポリスチレン (PS) REEL: POLYSTYRENE (PS)  
 <リサイクル材を含む> <RECYCLE MATERIAL CONTAINED>

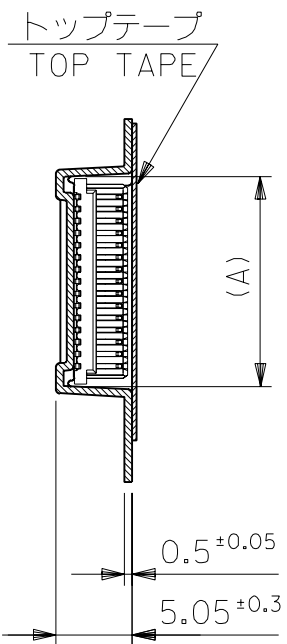
5. 本製品は 52465-\*\*\*91 の鉛フリー品である。  
 THIS PRODUCT IS LEAD FREE OF 52465-\*\*\*91.



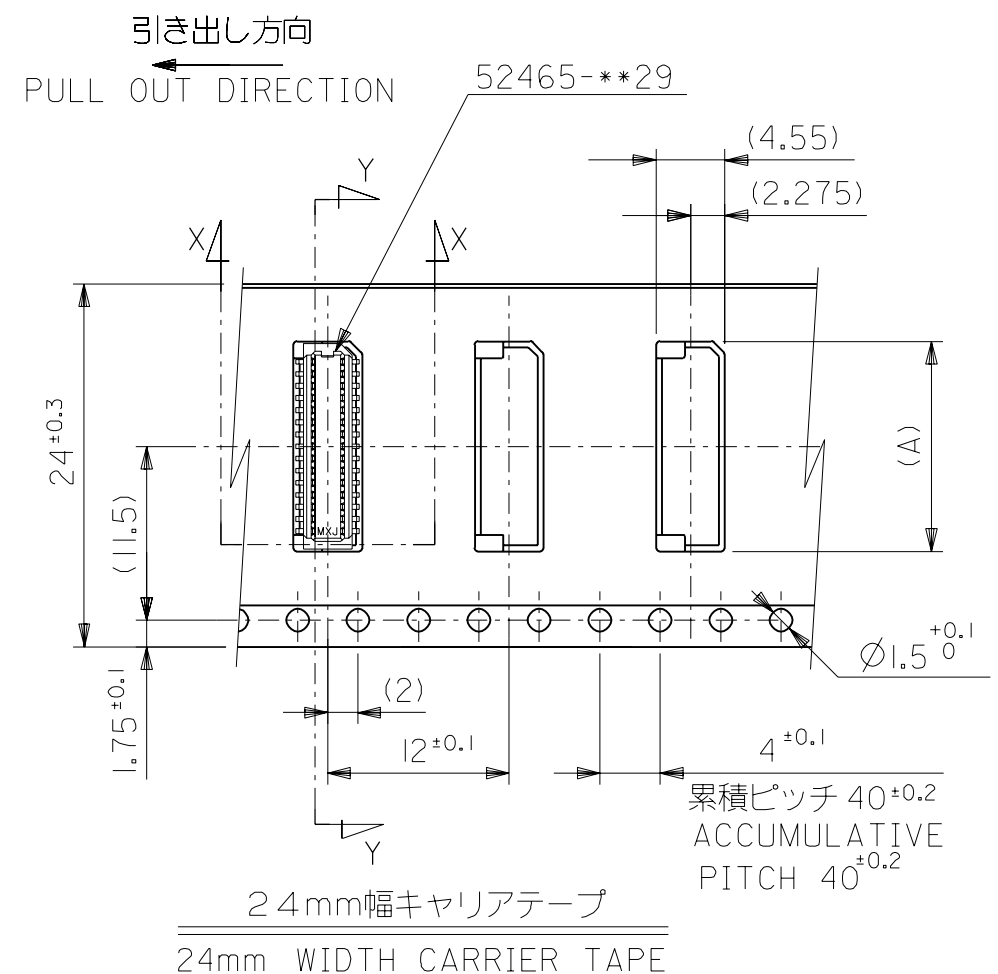
16	17.5	9.1	52465-1871	18
		8.3	52465-1671	16
		7.5	52465-1471	14
		6.7	52465-1271	12
		5.9	52465-1071	10
キャリアテープ幅 CARRIER TAPE WIDTH	B	(A)	MATERIAL NO.	CIRCUITS

DO NOT SCALE DRAWING				MATERIAL 材料 SEE NOTES		GENERAL TOLERANCES: (UNLESS SPECIFIED) 一般公差		SCALE 1:1		DESIGN UNITS 公差 mm INCH		THIRD ANGLE PROJECTION		DIMENSIONS: mm INCH		SHT REV	
EC NO. DRWN: CHK: APPR:	EC NO. DRWN: CHK: APPR:	EC NO. DRWN: CHK: APPR:	EC NO. DRWN: CHK: APPR:	REV	DESCRIPTION	10 UNDER 未満	±0.2	DRAWN BY & DATE Y.SAKIYAMA '04/02/17	TITLE: 0.8 B-To-B Hsg Assy SMT Embstp Pkg -LEAD FREE-								
				0	RELEASED '04/02/17 EC NO. J2004-2482 DRWN: Y.SAKIYAMA CHK: M.SASAO APPR: M.SASAO	10 OVER 30 UNDER 未満	±0.25	CHECKED BY & DATE M.SASAO '04/02/17	MOLEX MOLEX INCORPORATED								
						30 OVER 以上	±0.3	APPROVED BY & DATE M.SASAO '04/02/17	CAD FILENAME SD-52465-029.S01		MATERIAL NO. SEE CHART		DRAWING NO. SD-52465-029		SHEET NO. 1 OF 2		
WIRE RANGE 適用電線範囲 //										ANGLE 角度 ±3°		THIS DRAWING CONTAINS INFORMATION THAT IS PROPRIETARY TO MOLEX INCORPORATED AND SHOULD NOT BE USED WITHOUT WRITTEN PERMISSION.				SIZE B	

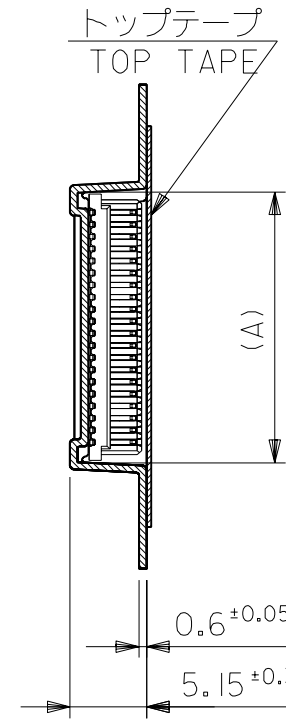
DWG. NO.  
SD-52465-029



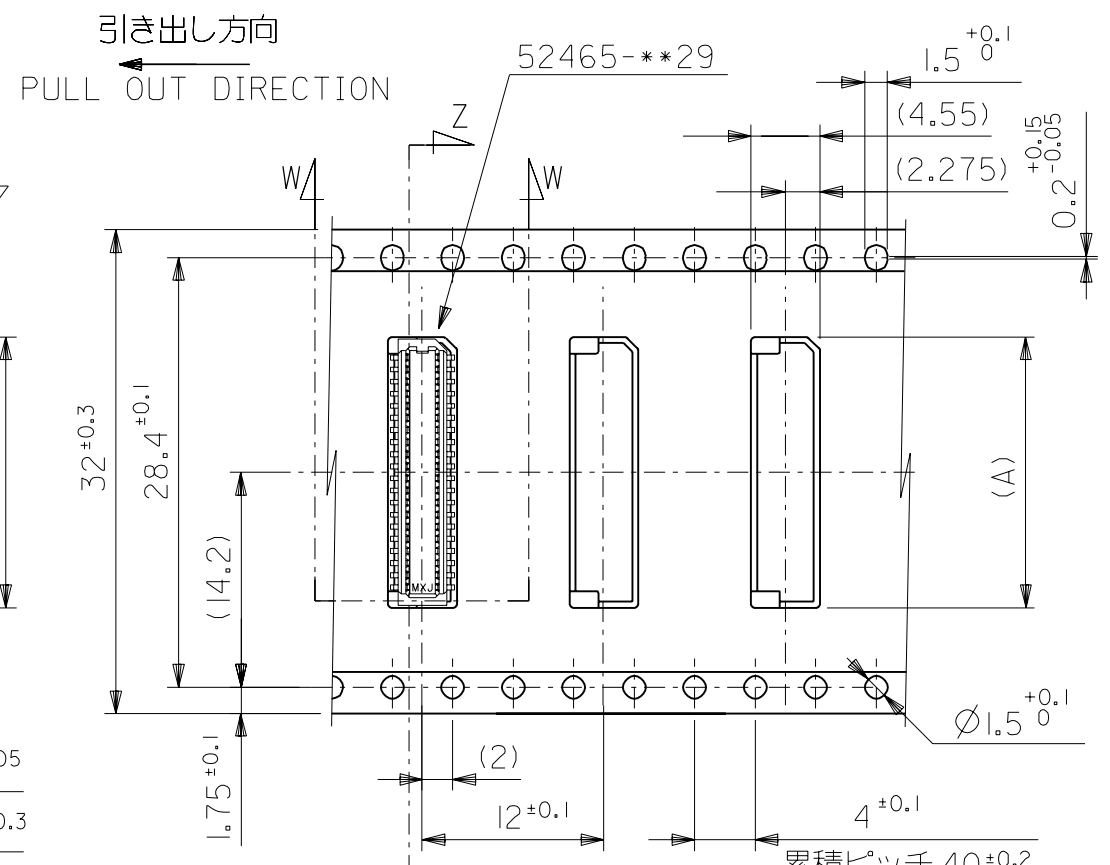
SECT. Y-Y



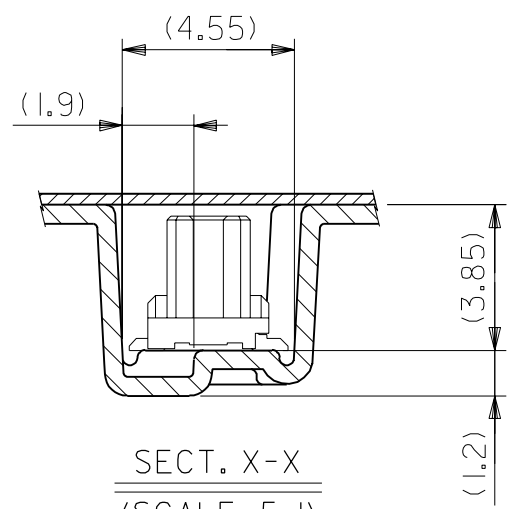
24mm幅キャリアテープ  
24mm WIDTH CARRIER TAPE



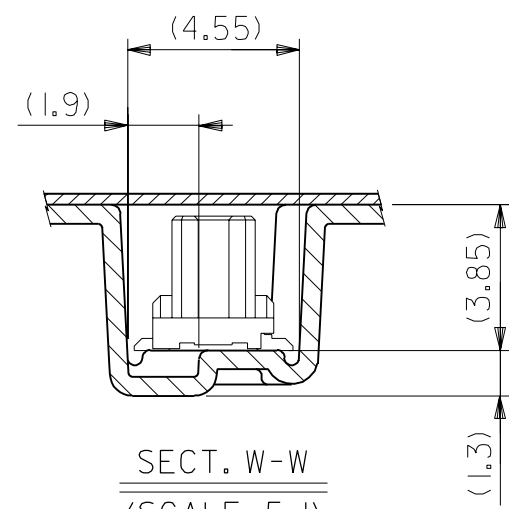
SECT. Z-Z



32mm幅キャリアテープ  
32mm WIDTH CARRIER TAPE



SECT. X-X  
(SCALE; 5:1)



SECT. W-W  
(SCALE; 5:1)

24	33.5	17.9	52465-4071	40
		17.1	52465-3871	38
		16.3	52465-3671	36
		15.5	52465-3471	34
		14.7	52465-3271	32
		13.9	52465-3071	30
		13.1	52465-2871	28
		12.3	52465-2671	26
		11.5	52465-2471	24
		10.7	52465-2271	22
		9.9	52465-2071	20
キャリアテープ幅 CARRIER TAPE WIDTH	B	(A)	MATERIAL NO.	CIRCUITS

MODEL NO.	52465-***71	DIMENSIONS:	<input type="checkbox"/> mm <input type="checkbox"/> INCH <input checked="" type="checkbox"/> mm ONLY	SHT	REV
SCALE	---	DESIGN UNITS	<input checked="" type="checkbox"/> mm <input type="checkbox"/> INCH	THIRD ANGLE PROJECTION	
GENERAL TOLERANCES: (UNLESS SPECIFIED) 一般公差	10 UNDER 未満 ±0.2	DRAWN BY & DATE Y.SAKIYAMA '04/02/17	TITLE: 0.8 B-To-B Hsg Assy SMT Embstp Pkg -LEAD FREE-		
	10 OVER 以上 30 UNDER 未満 ±0.25	CHECKED BY & DATE M.SASAO '04/02/17	MOLEX INCORPORATED		
	30 OVER 以上 ±0.3	APPROVED BY & DATE M.SASAO '04/02/17	MATERIAL NO.	DRAWING NO.	SHEET NO.
ANGLE 角度	±3°	CAD FILENAME SD-52465-029.S02	SEE CHART	SD-52465-029	2 OF 2
THIS DRAWING CONTAINS INFORMATION THAT IS PROPRIETARY TO MOLEX INCORPORATED AND SHOULD NOT BE USED WITHOUT WRITTEN PERMISSION.					SIZE B

DO NOT SCALE DRAWING

EC NO.	DRWN:	CH'K:	APPR:	EC NO.	DRWN:	CH'K:	APPR:	EC NO.	DRWN:	CH'K:	APPR:	EC NO.	DRWN:	CH'K:	APPR:
RELEASED '04/02/17															
EC NO. J2004-2482															
DRWN: Y.SAKIYAMA															
CH'K: M.SASAO															
APPR: M.SASAO															
REV	DESCRIPTION														
0	SEE SHEET 1 OF 2														
	MATERIAL 材料														
	FINISH 仕上げ														
	WIRE RANGE 適用電線範囲														
	INS. RANGE 被覆外径														

SD-52465-029.S02