

## Features

- Type BCC couplings have two patchlock socket head cap screws each end.
- Metric Six Beam Coupling – Clamp Style
- Torsionally rigid one-piece construction
- Made from Aluminium 7075 (A)
- Bore tolerance  $+0.025$  mm /  $-0.000$  mm.
- Recommended shaft tolerance  $+0.000$  mm /  $-0.013$  mm.
- Two sets of cuts around centre member better accommodate parallel misalignment than single beam couplings.
- Six beam couplings have increased torque capacity and higher torsional stiffness.

## RS PRO Flexible Beam Coupling

RS-Stock Number: 0764292



RS PRO is the own brand of RS. The RS PRO Seal of Approval is your assurance of professional quality, a guarantee that every part is rigorously tested, inspected, and audited against demanding standards. Making RS PRO the Smart Choice for our customers.

## Product Description

*RS PRO flexible couplings made from Aluminium 7075 (A) are used where a degree of motion is needed between the shafts. These couplings can improve the performance of a machine and reduce wear and tear. They are easy to install and have a long-life span. The types of couplings that sit within the flexible couplings area are gear couplings, and universal joint couplings. Each coupling is manufactured as one piece, thereby eliminating mechanical joints and possible failure points.*

*Type BCC couplings have two patchlock socket head cap screws each end.*

*Six beam couplings have increased torque capacity and higher torsional stiffness.*

*Two sets of cuts around centre member better accommodate parallel misalignment than single beam couplings.*

## General Specifications

<b>Material</b>	Aluminium 7075 (A)
<b>Coupling Type</b>	Beam Coupling
<b>Series</b>	BCC
<b>Fastening Type</b>	Clamping

## Mechanical Specifications

<b>Bore 1</b>	10 mm
<b>Bore 2</b>	10 mm
<b>Outside Diameter</b>	31.75 mm
<b>Length</b>	44.45 mm
<b>Cap Screw</b>	M5

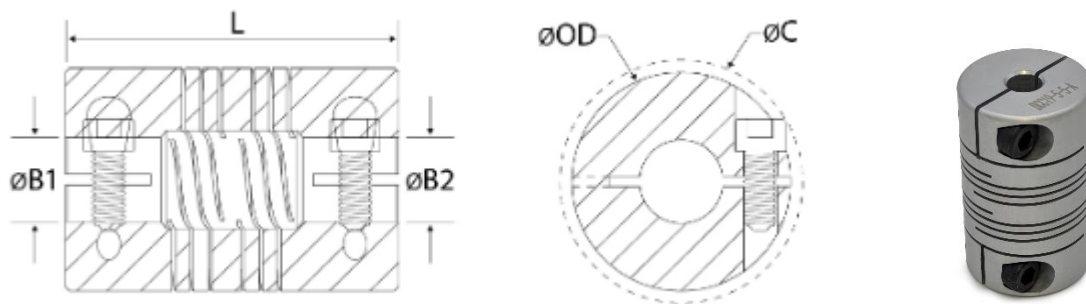
## Product Details

### RS PRO Metric Six Beam Coupling – Clamp Style

<b>Material</b>	Aluminium 7075 (A)
<b>Coupling Type</b>	Beam Coupling
<b>Series</b>	BCC
<b>Fastening Type</b>	Clamping

Type BCC couplings have two patchlock socket head cap screws each end.

Bore tolerance +0.025 mm / -0.000 mm ▪ Recommended shaft tolerance +0.000 mm / -0.013 mm



Stock No.	Bore ØB1	Bore ØB2	Outer ØOD	Length L	Clearance Dia. Max ØC	Cap Screw
132167	5 mm	5 mm	19.05 mm	31.75 mm	22.23 mm	M3
132168	6 mm	6 mm	19.05 mm	31.75 mm	22.23 mm	M3
BCC19-6-8-A	6 mm	8 mm	19.05 mm	31.75 mm	22.23 mm	M3
BCC19-8-8-A	8 mm	8 mm	19.05 mm	31.75 mm	22.23 mm	M3
BCC25-6-6-A	6 mm	6 mm	25.4 mm	38.1 mm	28.37 mm	M4
BCC25-6-8-A	6 mm	8 mm	25.4 mm	38.1 mm	28.37 mm	M4
132170	8 mm	8 mm	25.4 mm	38.1 mm	28.37 mm	M4
132169	10 mm	10 mm	25.4 mm	38.1 mm	28.37 mm	M4
BCC32-10-10-A	10 mm	10 mm	31.75 mm	44.45 mm	37.06 mm	M5
BCC32-12-12-A	12 mm	12 mm	31.75 mm	44.45 mm	37.06 mm	M5