

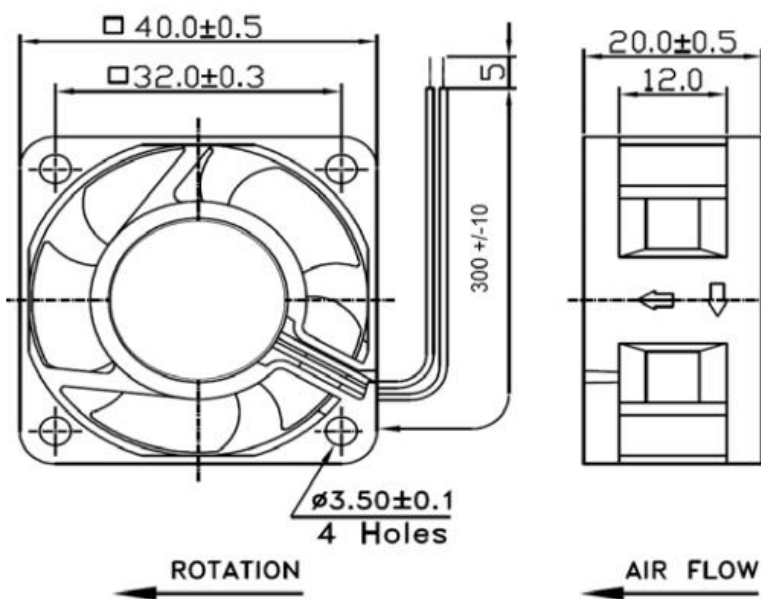
## Datasheet

# DC Axial Fan, 40 x 40 x 20mm, 13.6m<sup>3</sup>/h, 1W, 12 V dc (OD4020 Series)

RS Stock 541-4909



### Dimensions: (mm)





## Specifications

- Frame and Impeller
- PBT, UL94V-0 Thermoplastic
- Tachometer
- Locked Rotor Alarm
- MOTOR: Brushless DC, polarity protected, locked rotor protected (current limited), auto restart
- INSULATION RESISTANCE :Min. 10 M ohms at 500VDC
- LIFE EXPECTANCY (L10) :Ball Bearing 60,000 Hours
- Operating Temperature :-10C ~ +70C
- Safety Approvals: UL/CUL, TUV, CE

RS Part No.	Speed	Airflow	Noise	Volts	Voltage	Current	Connection Type
5414915	7800	9	32	12	7~14	0.10	Wire
5414909	6900	7.8	28.5	12	7~15	0.08	Wire
5414892	6200	7	25	12	7~16	0.07	Wire
5415160	7800	9	32	24	10~27	0.09	Wire
5415154	6900	7.8	28.5	24	10~27	0.07	Wire
5415148	6200	7	25	24	10~27	0.06	Wire