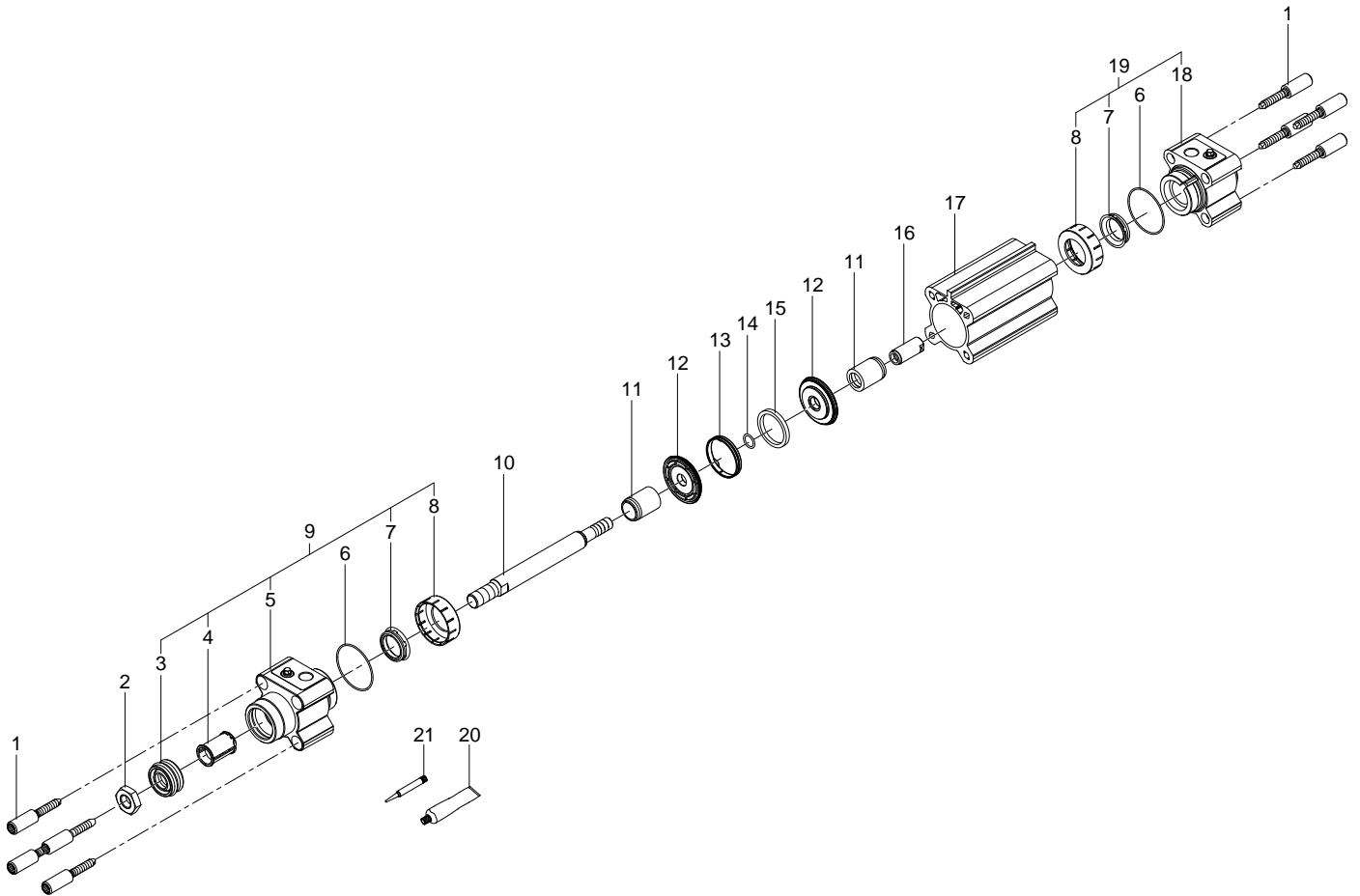


1775259 DSBF-C-50-40-PPVA-N3-R standards-based cylinder - Series: All



1775259 DSBF-C-50-40-PPVA-N3-R standards-based cylinder - Series: All

Pos.	Part no.	Type	Note	Qty.	Unit
A	752722	DSBF-C-50- - Set of wearing parts	Spare parts: 3, 6, 7, 8, 12, 13, 14, 20, 21 ▶ Replacing the wearing parts	1	PC
1	371669	DNC-50/63-R3 flange screw	Tightening torque 13 Nm / 9.6 lbf ft Use locking compound. See position 21	8	PC
2	213600	DIN 439-B-M16X1,5-A2-70 Hex nut		1	PC
3	645266	WIFC2-20X30X10,7-TPE-U:Q Wiper seal	Grease using during assembly. See position 20	1	PC
4	4402008	DSBX-50/63 Bearing	Grease using during assembly. See position 20	1	PC
5		DSBF-50-PPV:COATED Bearing cap	Not available separately, see position 9	1	PC
6		B-50X1,2-N-NBR70 O-ring ISO3601	Not available separately, see position A Grease using during assembly. See position 20	2	PC
7		DIFC1-25X33X7,8-TPE-U Buffer seal	Not available separately, see position 9+19+999 Grease using during assembly. See position 20	2	PC
8		DSBX-50 Holding disc	Not available separately, see position 9+19+999	2	PC
9	1213622	DSBF-50-PPV Bearing cap module		1	PC
10	752715	DSBF-C-50- - Piston rod	When ordering please specify the configuration (see type plate)	1	PC
11	332089	50/63 PPV Buffer sleeve		2	PC
12		BA-K01D-050 Piston module	Not available separately, see position A	2	PC
13		BA-K01F-050 Guiding band	Not available separately, see position A Grease using during assembly. See position 20	1	PC
14		B-11,5X1,5-N-NBR75 O-ring ISO3601	Not available separately, see position A Grease using during assembly. See position 20	1	PC
15	358739	46,6X38,2X4,6BA-K01M-050 Ring magnet		1	PC
16	712745	M12X1.25-D50/63 Threaded coupling	Use locking compound. See position 21 Tightening torque 30 Nm / 22.1 lbf ft	1	PC
17		DSBF-50-X Cylinder barrel	Not available Grease using during assembly. See position 20	1	PC
18		DSBF-50-PPV:COATED End cap	Not available separately, see position 19	1	PC
19	1218601	DSBF-50-PPV End cap module		1	PC
20	394819	LUB-E1-SILIKONFREI-20ML Lubricating grease		1	PC
21	8181256	CYBERBOND TM44 TB1ML Adhesive bonding agent		1	PC