

## Isolation 3/2-way valves - Series MX

Product code: MX2-1/2-V16

Datasheet creation date: 10/12/2025 08:39

Check the most updated document online [click here](#)

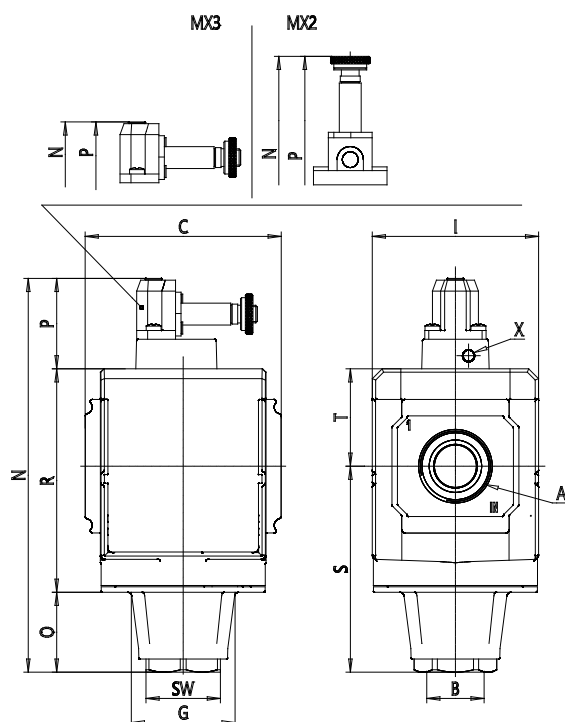


### TECHNICAL DATA

<b>Series</b>	MX
<b>Size</b>	2
<b>Ports (IN - OUT)</b>	1/2 = G1/2
<b>3/2-way valve</b>	V
<b>Design type</b>	16 = electro-pneumatic control
<b>Flow direction</b>	= from left to right (standard)

## Isolation 3/2-way valves - Series MX

Product code: MX2-1/2-V16



### DIMENSIONS

	G1/2
(mm)	G 1/2
(mm)	70.0
(mm)	-
(mm)	34.5
(mm)	68
(mm)	-
(mm)	-
(mm)	171.0
(mm)	13
(mm)	70.0
(mm)	-
(mm)	88
(mm)	63.5
(mm)	27
(mm)	37.5
	-
Y (piloting)	-
Weight (kg)	0.5