

FLOJET

a xylem brand

G573215A

Air Operated Diaphragm Pump

- ◆ Capable of Air or CO₂ drive pressures up to 100PSI (6.9bar)
- ◆ Run dry capability, temperature range up to 49°C (120°F)
- ◆ Patented Shuttle Valve, eliminates stalling
- ◆ Capable of passing solids up to 3.2mm diameter.
- ◆ Corrosion resistant materials capable of handling a wide range of chemicals
- ◆ Other elastomers available
- ◆ Large exhaust silencer
- ◆ Ease of Installation with all quick disconnect ports
- ◆ Other port sizes available



Mounted in working position



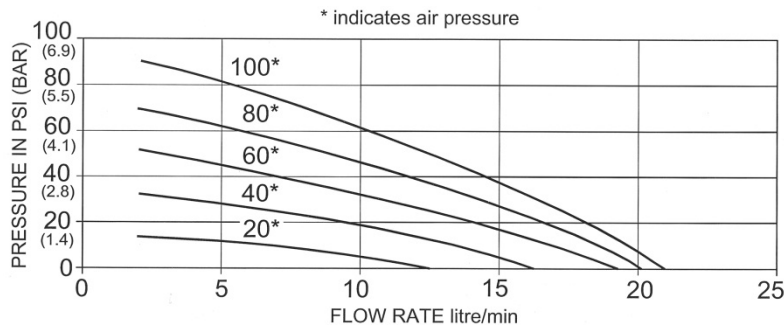
CONNECTIONS: Product inlet and outlet 12.7mm (½" hose). Gas inlet 6mm (¼" hose)

MATERIALS OF CONSTRUCTION:

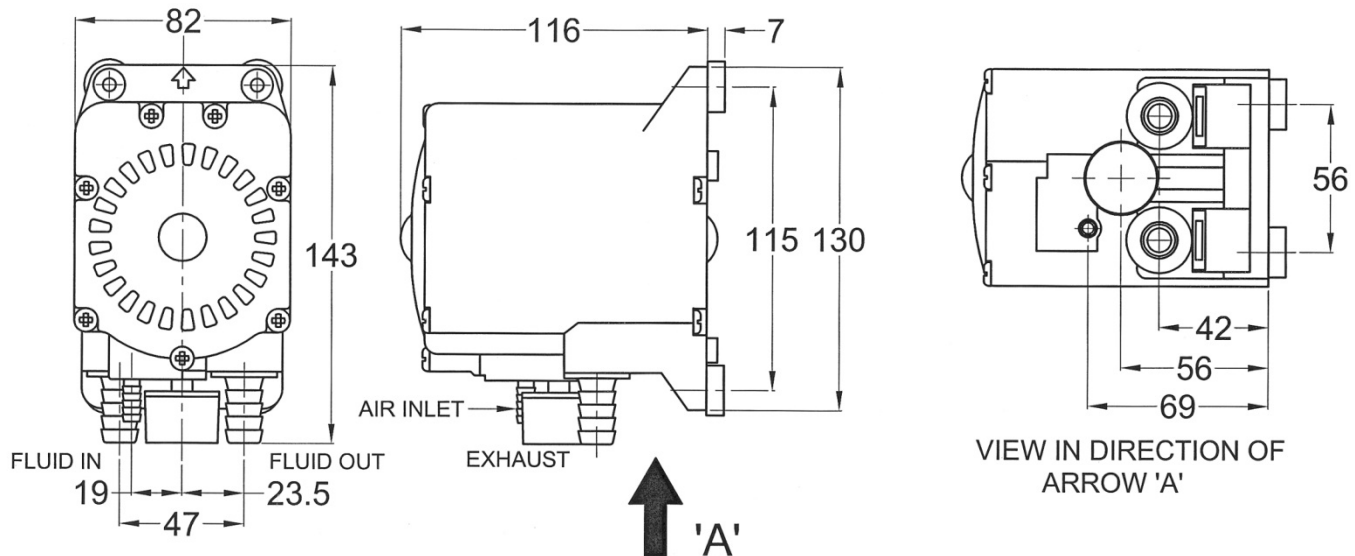
Pump head: Glass-filled Polypropylene
Diaphragm: Viton®
Valves: Viton® Check valves with Hastelloy springs
Seal Rings: Viton®

OUTPUT:

Self primes up to 4.5m
Flow rates up to 21 litres/minute (4.6 gallons/minute).



WEIGHT: 0.7 Kg



Doc670/13