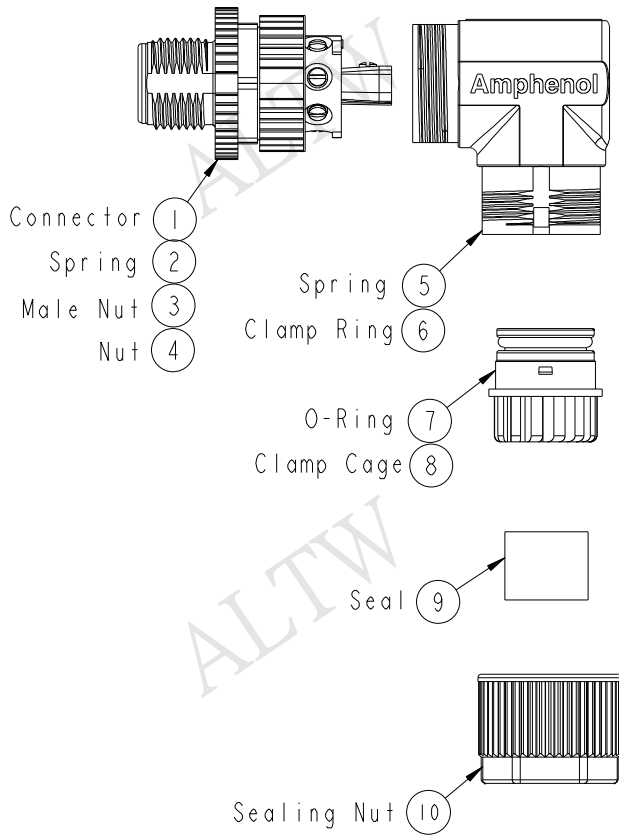
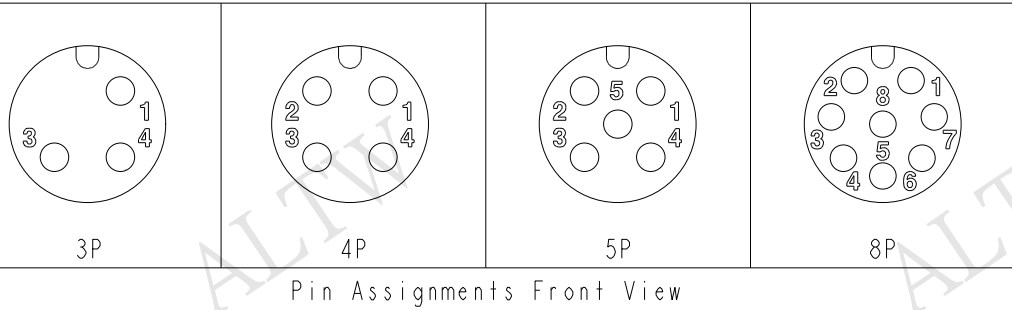
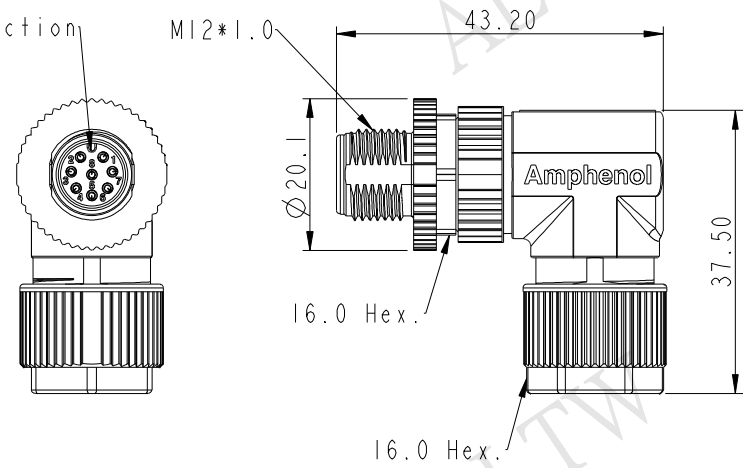


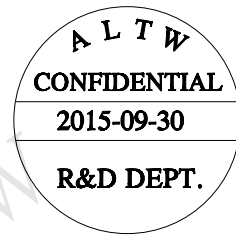
REV.	ECN NO.	DATE	SIGN	DESCRIPTION



360° Adjustable Key Code Direction



Pin Assignments Front View



UNIT:mm		TITLE	M12 A-code 90° Shielded Assy M Conn. M Pin	
TOLERANCE		SCALE	1:1	SIZE A4
±0.5mm		REV.	A	WC-REV. A.3
		SHEET	1	OF 2
		QC: Inspection item		

**Amphenol LTW**  
安費諾亮泰企業股份有限公司

ITEM NO	DRAWN BY	DATE
	Mila	2015-09-30
DWG NO	CHECKED BY	DATE
MSAS-XXBMMB-SR7001	Cary	2015-09-30
CUSTOMER	APPROVED BY	DATE
ALTW	Jerry	2015-09-30

THIS DOCUMENT IS SUBJECT TO CHANGE WITHOUT NOTICE. IT IS CONFIDENTIAL AND A PROPERTY OF Amphenol LTW. DISCLOSURE TO THIRD PARTY HAS TO BE AUTHORIZED BY Amphenol LTW.

