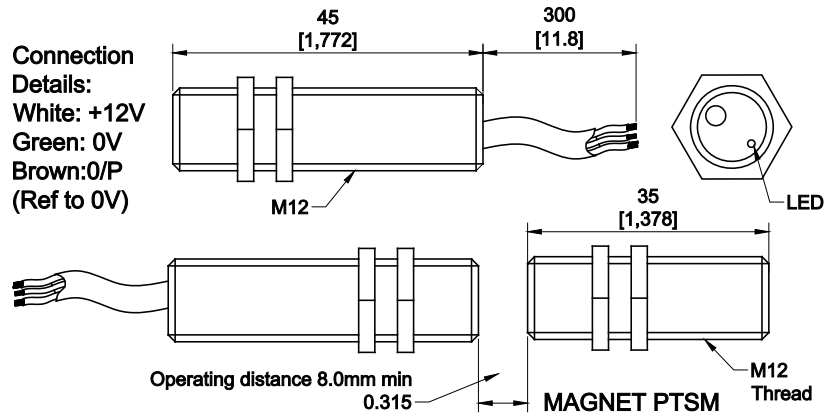


**Threaded Hall Effect Proximity Sensor - Solid State, Digital Output**  
**Part Number : PTS25D/30**      **Suggested Magnet: PTSM**  
**Product Data Sheet**

**PICTURE**



**DIMENSIONS**



Drawings not to scale  
 All dimensions in mm nominal

✓ **RoHS Compliant**

**SPECIFICATION**

Supply Voltage	Volts Min/Max	10 -15
Quiescent Current	Max mAmps	25
Sensing Distance (Typical)	mm	8
Output Type	5Volts	Logic gate (Pull down)
Output Loading		4K7
Operating Temperature	Celsius	-30° - 70°
Storage Temperature	Celsius	-30° - 75°
Case Material		Nickel plated Brass
Cable		Grey 7/0.2mm <sup>2</sup> PVC 105°C UL AWM 1569

**Applications Include**

- Position and limit sensing.
- Linear actuators.
- Security system switch.
- Automated production line.

**Options**

- M18 Thread size.
- Various cable types/ratings
- Customer specified connectors or crimp terminals fitted.
- If you do not see what you need, just ask, as there is a strong possibility we can do it !

Rev. No.	Revision Note	Date	Signature
2	Datasheet redesign	28-02-12	ML



As part of the company policy of continued product improvement, specifications may change without notice. Our sales office will be pleased to help you with the latest information on this product range and the details of our full design and manufacturing service. All products are supplied to our standard conditions of sale unless otherwise agreed in writing.

Phone : +44 (0)1255 862236      www.assemtech.co.uk      Fax: +44 (0)1255 862014