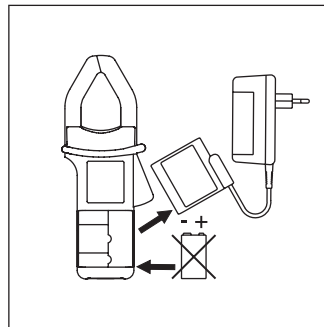
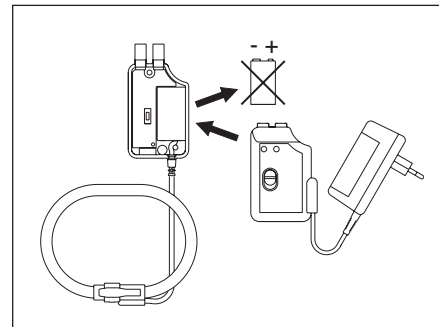


Mains adapters

For unlimited operation of your current clamps, replace the battery with the mains adapter.



For PAC clamp



For AmpFLEX™ and MiniFLEX clamps and K clamps

To order	Reference
Mains adapter for E clamp	P01101965
Mains adapter for K clamp	P01101966
Mains adapter for PAC clamp	P01101967
Mains adapter for AmpFLEX A100	P01101968
Mains adapter for MA 100 clamp	P01102086
Mains adapter for MA200 clamp	P01102087

Leads and adapters



Standard PVC leads

Straight male plug Ø 4 mm
Elbowed male plug Ø 4 mm
15 A / 1.5 m
600 V CAT IV
1,000 V CAT III



BNC / banana adapter

Insulated female socket
Insulated male plugs
Ø 4 mm with 19 mm spacing
600 V CAT III



Banana-BNC leads

Insulated BNC
Male plug Ø 4 mm
with rear connection
500 V CAT III



BNC / banana adapter

Male BNC
Female sockets
500 V CAT I
150 V CAT III



BNC / banana adapter

Male BNC
Male plugs
500 V CAT I
150 V CAT III

To order	Reference
Standard PVC leads (1 red + 1 black)	P01295289Z
Banana-BNC leads	AG-1066Z
Male BNC / Female banana adapter (set of 2)	P01101846
Male BNC / Male banana adapter (set of 2)	P01101847
Female BNC / Isolated banana adapter (set of 2)	P01102101Z