

PCV101 Series

100W Constant Voltage Power Supply



Key Features:

- Captive terminal screws for ease
- Snap lock cable strain relief
- Low inrush current
- Over load, short circuit and thermal protection
- Class II product
- Safe no load operation
- Suitable for indoor lighting applications
- Energy Efficient and Energy compliant
- Industry leading power factor levels

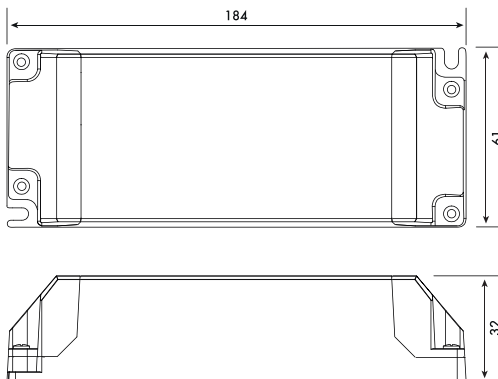
PCV101 SERIES SPECIFICATION

Part Code	PCV12101	PCV24101	PCV48101
Voltage	220 ~ 240VAC		
Frequency	50 ~ 60 Hz		
Power Factor	PF>0.95 full load, 230VAC		
Inrush	<15A		
Voltage	12V	24V	48V
Current	0.1 ~ 8.3A	0.1 ~ 4.16A	0 ~ 2.1A
Rated Power	100W	100W	100W
R&N	250mVp-p	500mVp-p	500mVp-p
Efficiency	>90% @ full load & 230VAC	>92%	>92%
Line Regulation	≤5%	≤5%	≤5%
Load Regulation	≤5% excursion from 50 ~ 100% load and back to 50% load change of DC output at any frequency up to 1KHz (duty 50%)		
No Load	Auto-recovery if fault is removed		
Over Load	Auto-recovery if fault is removed		
Short Circuit	Auto-recovery if fault is removed		
Over Temperature	Auto-recovery if fault is removed		
Temperature	Operating: -20 ~ +45°C; Storage: -20 ~ +70°C		
Safety Standard	EN61347-2-13		
EMI Standard	Meets emissions to EN55015, EN61547, EN61000-3-2		
Lifetime	30K hours full load 25°C		
Weight	300g		
Dimensions	184 x 61 x 32mm (Case No: 8043DH)		

REV-A



Mechanical Specification



PowerLed (UK) Ltd
Orion House
Calleva Park
Aldermaston
Berkshire
RG7 8SN

Contact:
Tel: 0118 9703856
enquiries@powerled.uk.com
www.powerled.uk.com

