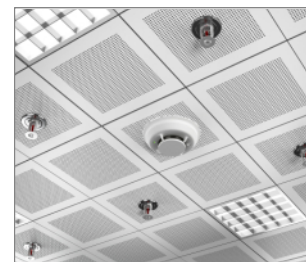


R-RBL-E Rawlbolt® - Eye Bolt

World's most popular all-purpose expanding shield anchor - eye bolt version



Product information

Features and benefits

- The only original Rawlbolt with single-piece cold-formed eyebolt for maximum durability
- Three-pieces expanding sleeve of maximum expansion provides optimal load and safety of use in any substrate
- Eye Rawlbolts are not suitable for all arrest systems nor shock loading
- Closed, forged hook for maximum safety

Applications

- Supporting guy ropes, stays and cables
- Supporting ladder restraints

Base materials

Approved for use in:

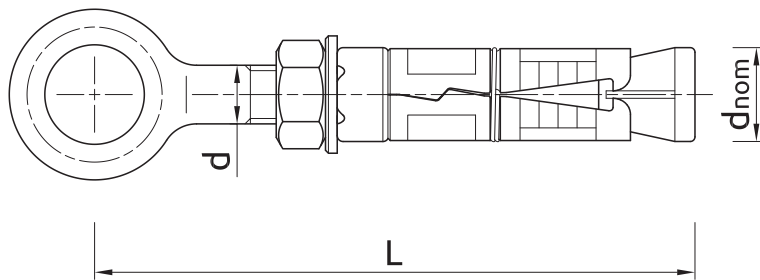
- Cracked concrete C20/25-C50/60
- Non-cracked concrete C20/25-C50/60
- Unreinforced concrete
- Reinforced concrete
- Solid clay brick $\geq 20\text{MPa}$
- Hollow Lightweight Concrete Block LAC 5 $\geq 5\text{MPa}$
- Hollow Sand-lime Brick $\geq 15\text{MPa}$
- Concrete hollow floor block (eg. Teriva)
- Hollow-core Slab C20/25
- Hollow-core Slab C30/37-C50/60

Installation guide



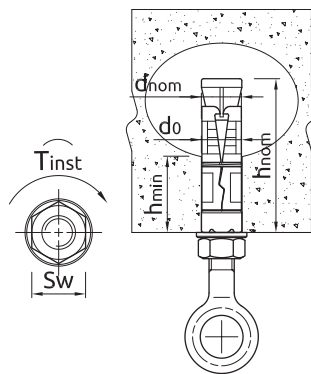
1. Drill a hole of required diameter and depth. Note: When fixing into brickwork, mortar joints should be avoided
2. Clear the hole of drilling dust and debris (using blowpump or equivalent method)
3. Insert the anchor (tap home until flush with surface) and position eye accordingly
4. Tighten to recommended torque, using the hex nut (not the eye)

Product information



Size	Product Code	Anchor		
		Diameter	External diameter	Length
		d	d _{nom}	L
		[mm]	[mm]	[mm]
M6	R-RBL-06EW	6	12	73
M8	R-RBL-08EW	8	14	87
M10	R-RBL-10EW	10	16	108
M12	R-RBL-12EW	12	20	130

Installation data



Size			M6	M8	M10	M12
Thread diameter	d	[mm]	6	8	10	12
Hole diameter in substrate	d _o	[mm]	12	14	16	20
Wrench size	Sw	[mm]	10	13	17	19
SOLID SUBSTRATES						
Installation torque	T _{inst}	[Nm]	6.5	15	27	50
Min. hole depth in substrate	h _o	[mm]	50	55	65	85
Min. installation depth	h _{nom}	[mm]	45	50	60	80
Min. substrate thickness	h _{min}	[mm]	100	100	100	100
Min. spacing	s _{min}	[mm]	50	50	50	60
Min. edge distance	c _{min}	[mm]	53	60	75	90
CERAMIC AND HOLLOW SUBSTRATES						
Installation torque	T _{inst}	[Nm]	3	5	8	10
Min. hole depth in substrate	h _o	[mm]	-	-	-	-
Min. installation depth	h _{nom}	[mm]	45	50	60	80
Min. substrate thickness	h _{min}	[mm]	23	23	35	40
Min. spacing	s _{min}	[mm]	100	100	100	100
Min. edge distance	c _{min}	[mm]	100	100	100	100

Mechanical properties

Size			M6	M8	M10	M12
Nominal ultimate tensile strength - tension	f_{uk}	[N/mm ²]	300	300	300	300
Nominal yield strength - tension	f_{yk}	[N/mm ²]	180	180	180	180
Cross sectional area - tension	A_s	[mm ²]	20.1	36.6	58	84.3
Elastic section modulus	W_{el}	[mm ³]	21.21	50.27	98.17	169.65
Characteristic bending resistance	$M^0_{Rk,s}$	[Nm]	12.72	30.16	58.9	101.79
Design bending resistance	M	[Nm]	10.18	24.13	47.12	81.43

Basic performance data

Performance data for single anchor without influence of edge distance and spacing - ETAG 001

Size			M6	M8	M10	M12
MEAN ULTIMATE LOAD						
TENSION AND SHEAR LOAD $F_{Rt,m}$						
Cracked concrete C20/25	[kN]		4.06	5.31	7.12	12.01
Non-cracked concrete C20/25	[kN]		6.36	8.35	15.24	18.24
Hollow core slab min. C20/25						
Wall thickness	Material class					
23	C30/37	[kN]	6.88	10.40	-	-
	C35/45	[kN]	6.88	11.40	-	-
	C45/55	[kN]	6.88	11.40	-	-
	C50/60	[kN]	6.88	11.40	-	-
35	C30/37	[kN]	6.88	11.40	18.84	-
	C35/45	[kN]	6.88	11.40	20.60	-
	C45/55	[kN]	6.88	11.40	20.60	-
	C50/60	[kN]	6.88	11.40	20.60	-
40	C30/37	[kN]	6.88	11.40	20.60	29.20
	C35/45	[kN]	6.88	11.40	20.60	29.20
	C45/55	[kN]	6.88	11.40	20.60	29.20
	C50/60	[kN]	6.88	11.40	20.60	29.20
50	C20/25	[kN]	6.88	10.96	10.96	10.96
Beam-and-block floor (eg.Terriva 4.0/2), min. 25mm wall thickness	[kN]		2.07	2.65	-	-
Lightweight concrete LAC class 5	[kN]		6.88	8.78	8.78	8.78
Solid clay brick class 20	[kN]		6.88	9.64	9.64	9.64
Silicate hollow block class 15	[kN]		4.27	-	-	-

Basic performance data

Size		M6	M8	M10	M12
CHARACTERISTIC LOAD					
TENSION AND SHEAR LOAD F_{rk}					
Cracked concrete C20/25	[kN]	4.00	5.00	6.00	12.00
Non-cracked concrete C20/25	[kN]	6.00	7.50	12.00	16.00
Hollow core slab min. C20/25					
Wall thickness	Material class				
23	C30/37	[kN]	4.36	5.44	-
	C35/45	[kN]	4.82	6.02	-
	C45/55	[kN]	5.35	6.67	-
	C50/60	[kN]	5.81	7.25	-
35	C30/37	[kN]	6.61	11.42	16.07
	C35/45	[kN]	6.61	12.64	17.78
	C45/55	[kN]	6.61	13.13	19.00
	C50/60	[kN]	6.61	13.13	19.00
40	C30/37	[kN]	6.61	13.13	19.00
	C35/45	[kN]	6.61	13.13	19.00
	C45/55	[kN]	6.61	13.13	19.00
	C50/60	[kN]	6.61	13.13	19.00
50	C20/25	[kN]	6.61	8.93	8.93
Beam-and-block floor (eg.Terriva 4.0/2), min. 25mm wall thickness	[kN]	1.21	2.02	-	-
Lightweight concrete LAC class 5	[kN]	5.98	5.99	5.99	5.99
Solid clay brick class 20	[kN]	6.25	6.37	6.37	6.37
Silicate hollow block class 15	[kN]	1.90	-	-	-
DESIGN LOAD					
TENSION AND SHEAR LOAD F_{rd}					
Cracked concrete C20/25	[kN]	2.22	2.78	3.33	6.67
Non-cracked concrete C20/25	[kN]	3.33	4.17	6.67	8.89
Hollow core slab min. C20/25					
Wall thickness	Material class				
23	C30/37	[kN]	1.73	2.16	-
	C35/45	[kN]	1.91	2.39	-
	C45/55	[kN]	2.12	2.65	-
	C50/60	[kN]	2.31	2.88	-
35	C30/37	[kN]	2.62	4.53	6.38
	C35/45	[kN]	2.90	5.02	7.06
	C45/55	[kN]	3.22	5.56	7.82
	C50/60	[kN]	3.50	6.04	8.50
40	C30/37	[kN]	2.90	6.72	7.62
	C35/45	[kN]	3.21	7.44	8.42
	C45/55	[kN]	3.55	8.25	9.34
	C50/60	[kN]	3.86	8.96	10.15
50	C20/25	[kN]	3.35	3.54	3.54
Beam-and-block floor (eg.Terriva 4.0/2), min. 25mm wall thickness	[kN]	0.48	0.80	-	-
Lightweight concrete LAC class 5	[kN]	1.95	1.96	1.96	1.96
Solid clay brick class 20	[kN]	2.16	2.20	2.20	2.20
Silicate hollow block class 15	[kN]	0.75	-	-	-

Basic performance data

Size		M6	M8	M10	M12	
RECOMMENDED LOAD						
TENSION AND SHEAR LOAD F_{rec}						
Cracked concrete C20/25	[kN]	1.59	1.99	2.38	4.76	
Non-cracked concrete C20/25	[kN]	2.38	2.98	4.76	6.35	
Hollow core slab min. C20/25						
Wall thickness	Material class					
23	C30/37	[kN]	1.24	1.54	-	-
	C35/45	[kN]	1.37	1.71	-	-
	C45/55	[kN]	1.52	1.89	-	-
	C50/60	[kN]	1.65	2.05	-	-
35	C30/37	[kN]	1.87	3.24	4.55	-
	C35/45	[kN]	2.07	3.58	5.04	-
	C45/55	[kN]	2.30	3.97	5.59	-
	C50/60	[kN]	2.50	4.32	6.07	-
40	C30/37	[kN]	2.07	4.80	5.44	7.22
	C35/45	[kN]	2.29	5.31	6.02	7.99
	C45/55	[kN]	2.54	5.89	6.67	8.85
	C50/60	[kN]	2.76	6.40	7.25	9.62
50	C20/25	[kN]	2.40	2.53	2.53	2.53
Beam-and-block floor (eg.Terriva 4.0/2), min. 25mm wall thickness	[kN]	0.34	0.57	-	-	
Lightweight concrete LAC class 5	[kN]	1.40	1.40	1.40	1.40	
Solid clay brick class 20	[kN]	1.54	1.57	1.57	1.57	
Silicate hollow block class 15	[kN]	0.54	-	-	-	

Product commercial data

Size	Product Code	Anchor		Quantity [pcs]			Weight [kg]			Bar Codes
		Diameter [mm]	Length [mm]	Box	Outer	Pallet	Box	Outer	Pallet	
M6	R-RBL-06EW	6	73	25	400	16000	0.92	14.7	617.2	5906675283128
M8	R-RBL-08EW	8	87	25	200	8000	1.61	12.8	543.6	5906675283142
M10	R-RBL-10EW	10	108	25	25	4000	2.9	2.9	492.4	5906675283166
M12	R-RBL-12EW	12	130	25	25	3000	5.2	5.2	652.8	5906675283180