

Mod. G7450 - Fittings Series 7000 - Automation

Product code: G7450 8-1/8

Datasheet creation date: 11/12/2025 09:36

Check the most updated document online [click here](#)

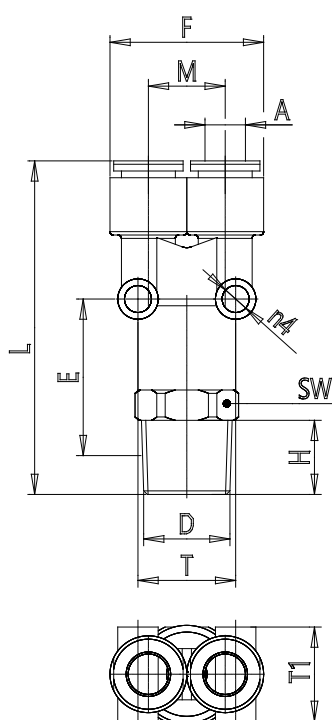


■ TECHNICAL DATA

Mod.	G7450 8-1/8
------	-------------

Mod. G7450 - Fittings Series 7000 - Automation

Product code: G7450 8-1/8



DIMENSIONS

A (mm)	8
D	R1/8
E (mm)	22.3
F (mm)	26.0
H (mm)	7.5
L (mm)	50.3
M (mm)	12.7
S (mm)	4
T (mm)	16.5
T1 (mm)	15.5
SW (mm)	17
Weight (g)	24