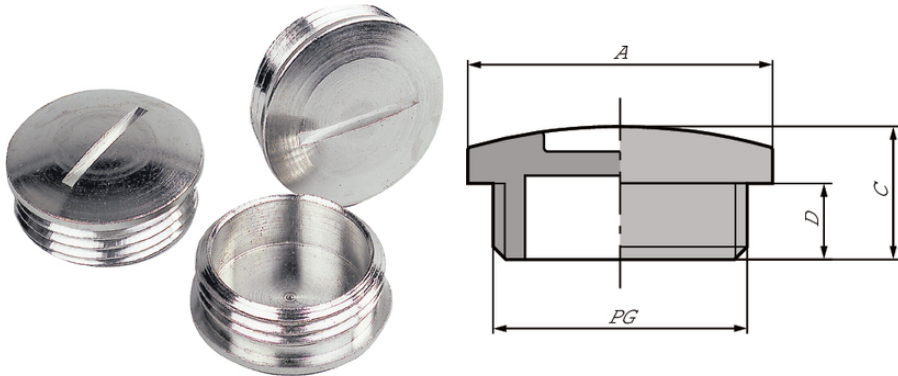


SKINDICHT® BL

SKINDICHT® BL, brass blind plug with PG connection thread, assembly with screwdriver



Robust

Benefits

For closing pre-threaded holes
Assembling with a screwdriver

Application range

Machine and equipment manufacturing
Electric motor manufacturing

Design

PG connection thread

Technical Data

Classification:	ETIM 5.0 Class-ID: EC000032 ETIM 5.0 Class-Description: Screw plug
Material:	Body: Nickel-plated brass O-ring: NBR
Protection rating:	IP 54 IP 68 (with O-Ring)
Temperature range:	with O-ring -30°C to +100°C without O-ring -60°C to +200°C

Note

Photographs are not to scale and do not represent detailed images of the respective products.
* Prices are net prices without VAT and surcharges. Sale to business customers only.



SKINDICHT® BL

Article number	Article designation / size
SKINDICHT® BL	
52002680	PG 7
52003390	PG 9
52003400	PG 11
52003410	PG 13,5
52003420	PG 16
52003430	PG 21
52003440	PG 29
52003450	PG 36
52003460	PG 42
52002790	PG 48
SKINDICHT® BL with O-ring	
54001610	PG 7
54000071	PG 9
54000040	PG 11
54001630	PG 13,5
54001640	PG 16
54001660	PG 21
54001620	PG 29
54001650	PG 36
54001670	PG 42
54001680	PG 48

Last Update (06.03.2017)

©2017 Lapp Group - Technical changes reserved

Product Management www.lappkabel.de

You can find the current technical data in the corresponding data sheet.

PN 0456 / 02_03.16