

Product data sheet

Specifications



⚠ Discontinued

Preventa XY2 SB, Two-hand control station with pedestal, orange, 2 push buttons 1 NO + 1 NC, 1 emergency stop push button 2 NC

XY2SB714

⚠ **Discontinued on:** 01 October 2021

XY2SB714 has not been replaced. Please contact your customer care center for more information.

Main

Range of product	Preventa XY2
Product or component type	Two-hand control station and pedestal
Component name	XY2S
Control station composition	2 push-buttons + 1 emergency stop push-button
Control button type	1 push-button, mushroom, red, 1 NC + 1 NC simultaneous 2 push-buttons

Complementary

Housing colour	Orange RAL 2008
Surface finish	Painted
Cable entry	1 plain hole for M25 2 plain holes for M20
Mechanical durability	1000000 cycles
Contact code designation	A600 AC-15, $U_e = 240\text{ V}$, $I_e = 3\text{ A}$ Q600 DC-13, $U_e = 250\text{ V}$, $I_e = 0.27\text{ A}$ conforming to EN/IEC 60947-5-1 appendix A
[Ui] rated insulation voltage	600 V (pollution degree 3) conforming to EN/IEC 60947-1 600 V conforming to UL 508 600 V conforming to CSA C22.2 No 14
[Uimp] rated impulse withstand voltage	6 kV conforming to EN/IEC 60947-1
Positive opening	With conforming to EN/IEC 60947-5-1 appendix K
Short-circuit protection	10 A gG cartridge fuse protection conforming to EN/IEC 60269
Electrical durability	1000000 cycles utilisation category AC-15, operating rate <60 cyc/mn at 120 V, 3 A, load factor: 0.5 conforming to EN/IEC 60947-5-1 appendix C 1000000 cycles utilisation category AC-15, operating rate <60 cyc/mn at 230 V, 2 A, load factor: 0.5 conforming to EN/IEC 60947-5-1 appendix C 1000000 cycles utilisation category AC-15, operating rate <60 cyc/mn at 24 V, 4 A, load factor: 0.5 conforming to EN/IEC 60947-5-1 appendix C 1000000 cycles utilisation category DC-13, operating rate <60 cyc/mn at 110 V, 0.2 A, load factor: 0.5 conforming to EN/IEC 60947-5-1 appendix C 1000000 cycles utilisation category DC-13, operating rate <60 cyc/mn at 24 V, 0.5 A, load factor: 0.5 conforming to EN/IEC 60947-5-1 appendix C
Electrical reliability	Failure rate < 0.00000001 at 17 V, 0.005 A conforming to EN/IEC 60947-5-4 Failure rate < 0.000001 at 5 V, 0.001 A conforming to EN/IEC 60947-5-4
Net weight	17 kg

Environment

Standards	EN 574 EN 954
Protective treatment	TC
Ambient air temperature for operation	-25...70 °C
Ambient air temperature for storage	-40...70 °C
Vibration resistance	5 gn (f= 2...500 Hz) conforming to EN/IEC 60068-2-6
Shock resistance	10 gn for 11 ms conforming to EN/IEC 60068-2-27
Electrical shock protection class	Class I conforming to EN/IEC 61140
IP degree of protection	IP65 conforming to EN/IEC 60529

Packing Units

Unit Type of Package 1	PCE
Number of Units in Package 1	1
Package 1 Weight	18.755 kg
Package 1 Height	37.5 cm
Package 1 width	46 cm
Package 1 Length	76.5 cm
Unit Type of Package 2	P12
Number of Units in Package 2	6
Package 2 Weight	108.03 kg
Package 2 Height	135 cm
Package 2 width	80 cm
Package 2 Length	120 cm

Offer Sustainability

Sustainable offer status	Green Premium product
REACH Regulation	REACH Declaration
EU RoHS Directive	Pro-active compliance (Product out of EU RoHS legal scope) EU RoHS Declaration
Mercury free	Yes
RoHS exemption information	Yes
China RoHS Regulation	China RoHS declaration
Environmental Disclosure	Product Environmental Profile
WEEE	The product must be disposed on European Union markets following specific waste collection and never end up in rubbish bins
California proposition 65	WARNING: This product can expose you to chemicals including: Nickel compounds, which is known to the State of California to cause cancer, and Di-isodecyl phthalate (DIDP), which is known to the State of California to cause birth defects or other reproductive harm. For more information go to www.P65Warnings.ca.gov

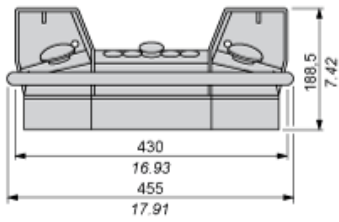
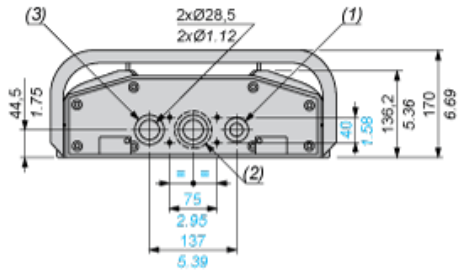
Contractual warranty

Warranty	18 months
----------	-----------

Control Station

Dimensions

mm
in.

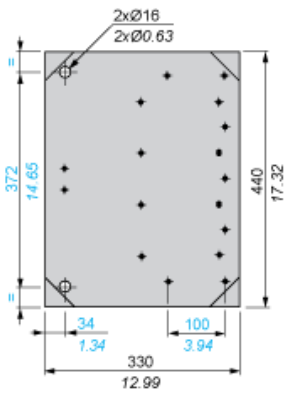
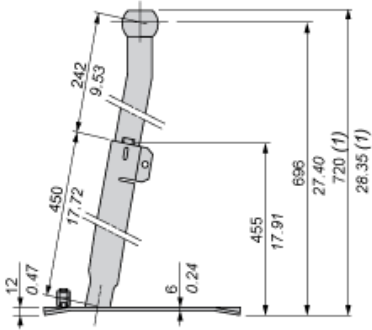


- (1) 2 plain holes for n° 13 (PG13.5) or ISO M20 cable gland.
- (2) Ø 56 mm/Ø 2.20 in. knock-out specifically for mounting on pedestal.
- (3) 1 plain hole for n° 21 (PG21) cable gland. For ISO M25, use adaptor DE9RA2125 and fixing nut DE9EC21.

Pedestal

Dimensions

mm
in.



(1) Adjustable height of pedestal 720 mm to 1060 mm / 28.30 in. to 41.70 in.