

Gearbox with spur gear 2038

ø38mm - 0.2...1 Nm

Technical data

Output shaft material	Stainless steel
Cover material	Plastic
Radial play at 5mm from bearing	0.1mm
Axial play	0.2mm
Average backlash at no-load	1.2°
Max. radial force at 5mm from bearing	50N
Max. axial force	30N

Part number

Gearbox N° Standard

2038 xxxx 00

Ratio

Example with
Ratio 60:1

2038 0060 00

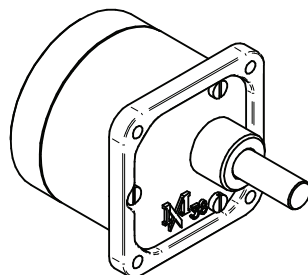
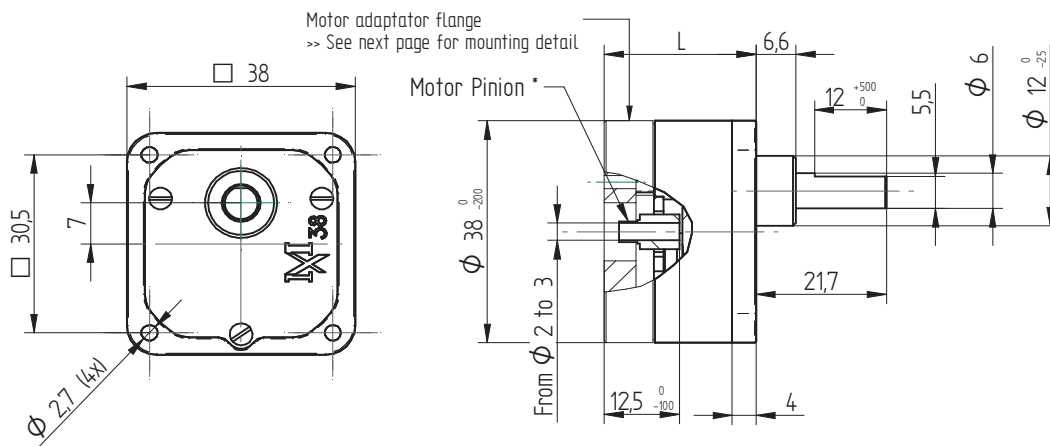
Characteristics

Ratio		6:1	12:1 21:1 24:1 30:1	60:1 105:1 150:1	210:1 300:1 525:1 750:1	1050:1 1500:1 3750:1
No. of gear stages		2	3	4	5	6
Max. torque permanent	Nm	0.2	0.3	0.5	0.75	1
Max. torque intermittent	Nm	0.4	0.6	1	1.5	2
Dir. of rotation entrance - exit		=	≠	=	≠	=
Mass	g					
Length gearbox L	mm	22.6	25.4	28.3	31	33.8

Other ratio on request

(cotation mm, tolerances µm)

Other adaptor flange on request



* Standard Motor pinion:
Bore ø3 +15/0 - part n°41382001
Bore ø2 +15/0 - part n°41382002
(many more on request)

Adaptator flange mounting process

