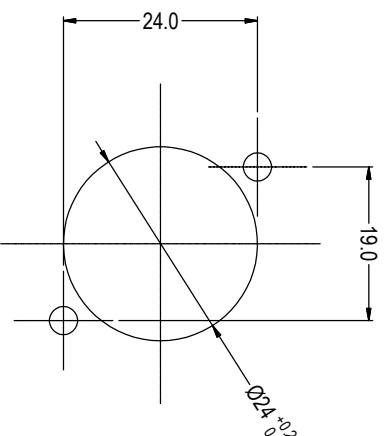


ISS.	AMEND	DATE
1	1st DRAWN	15/5/18

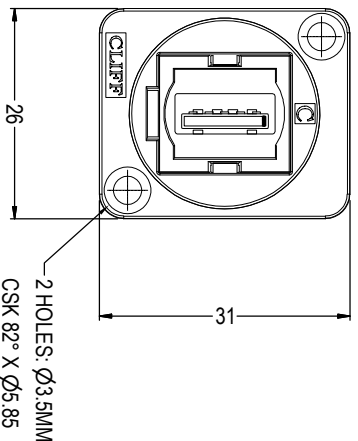
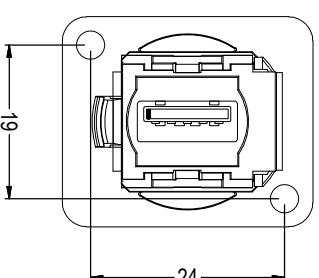
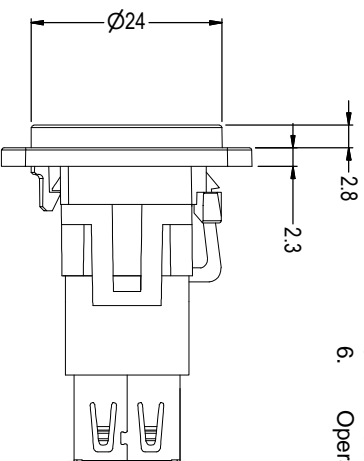
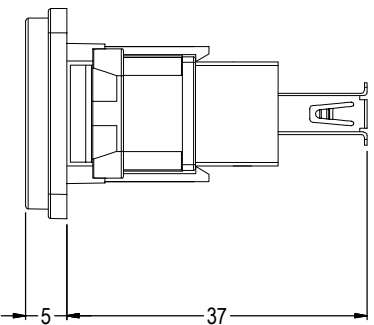


PANEL CUTOUT
MAXIMUM PANEL
THICKNESS 3MM



- Material:
1. Insert: ABS
 2. Frame: Black Nickel plated zinc diecast
 3. Shell: Nickel plated steel
 4. Contacts: Gold Plated

- Notes:
1. Voltage rating: 30V ac
 2. Current rating: 1.8 A max
 3. Contact resistance: 50mΩ max
 4. Insulation resistance: 20MΩ min
 5. Dielectric withstanding voltage: 500V AC
 6. Operating Temperature: -20°C to 50°C



ROHS
COMPLIANT

TOLERANCE
NO DEC. PLACE ±
1 DEC. PLACE ±
2 DEC. PLACE ±
HOLE Ø ±
ANGLES ±
UNLESS
OTHERWISE STATED

DIMENSIONS IN MILLIMETERS UNLESS OTHERWISE STATED. WORK TO DIMENSIONS. REMOVE ALL BURRS. IF IN DOUBT ASK.

3rd ANGLE PROJECTION:

DO NOT SCALE

MATERIAL: SEE NOTES

TITLE: METAL FEED THROUGH USB 3.0 A TO USB 3.0 A, BLACK

FINISH: SEE NOTES

DRAWN: TJO

APPROVED: D.P.J.

DRWG. No.

RS30205NMB (916-0215)

FORM: ADDRWH+