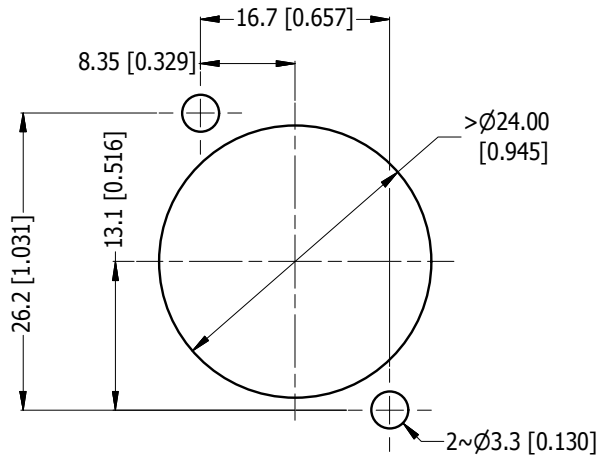
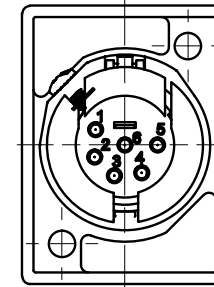
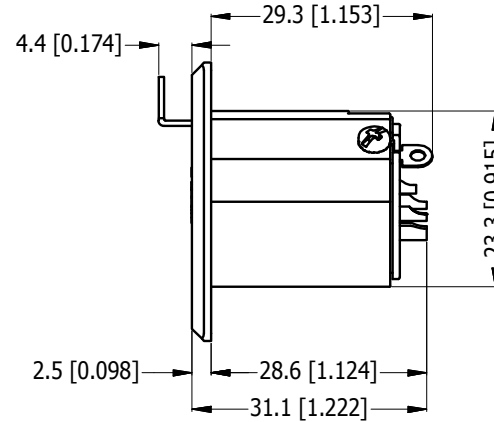
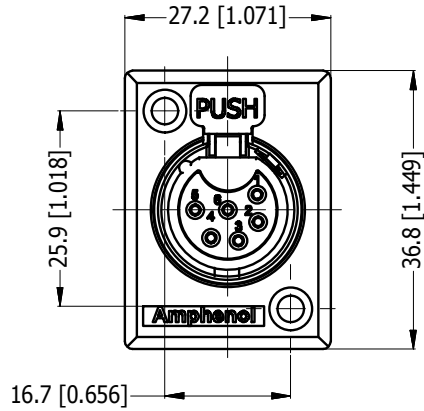


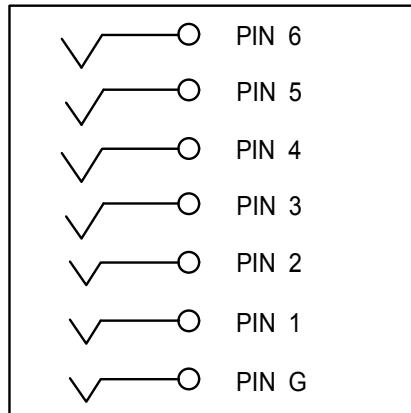
LEGEND = KEY PRODUCT CHARACTERISTICS

REVISION HISTORY

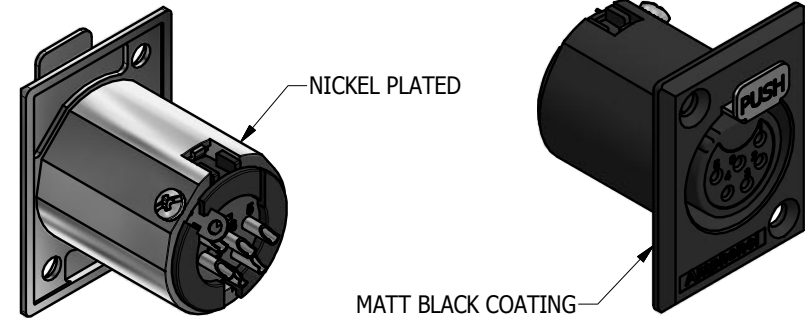
REV	DESCRIPTION	DATE	BY	ECN
0	FIRST ISSUE	16/07/19	MH	----



RECOMMENDED PANEL CUT OUT
(SCALE 2:1)



SCHEMATIC CHART



3D VIEW

PART NUMBER	SHELL FINISH	CONTACT FINISH
AC6AFDZ	NICKEL PLATED	SILVER PLATED
AC6AFDZB	MATT BLACK COATING	SILVER PLATED
AC6AFDZ-AU	NICKEL PLATED	GOLD PLATED
AC6AFDZB-AU	MATT BLACK COATING	GOLD PLATED

UNLESS OTHERWISE SPECIFIED TOLERANCE TO BE	
LINEAR	ANGULAR
X ± 0.5	X' ± 1
X.X ± 0.2	X.X' ± 30'
X.XX ± 0.1	X.XX" ± 15'

THIS DOCUMENT IS THE PROPERTY OF AMPHENOL AUSTRALIA PTY. LTD.
NO PART THEREOF MAY BE REPRODUCED AND USED
WITHOUT THE PRIOR WRITTEN CONSENT OF THE OWNER

Amphenol

Amphenol Australia Pty.Ltd,
22 Industry Boulevard, Carrum Downs, VIC 3201

BREAK ALL SHARP EDGES AND REMOVE ALL BURRS

MATERIAL: **DIECAST SHELL**

DRN: M.H DATE: 16/07/19

TITLE: **AC6AFDZ/B
PANEL MOUNT
CUSTOMER DWG**

PART No. **SEE TABLE**

DO NOT SCALE

FINISH: **NICKEL/BLACK**

CKD: M.H DATE: 16/07/19

APP'D: P.M DATE: 16/07/19

DRAWING No. **55011372-006-1** SHEET **2/2**

DIMENSIONS IN MILLIMETRES



SCALE: **1:1** SIZE: **A4**

CAD FILE 55011372-006