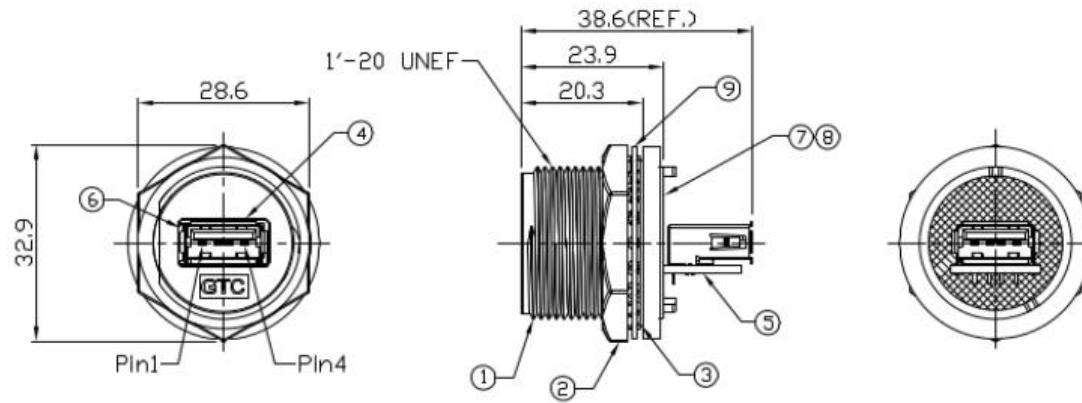




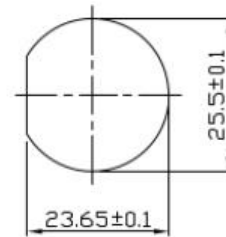
Notes: (Unless Otherwise Specified)

1. Waterproof Rate: IP68.
2. Recommend Panel Thickness: 0.8 to 8.0 mm.
3. Recommend Torque: 19~20 Kgf-cm.
4. Mating Cap P/N:125-7930
5. RoHS Compliant.

REV	ECN#	DESCRIPTION OF REVISION	DRAW BY DATE	CHECK BY DATE	APPROVE BY DATE
A3	ECN-120313	Add Metal Washer , Marked	Joyce 04/09/12	Lucas 04/09/12	Ray 04/09/12



9	Metal Washer	Stainless Finish —	1	
8	Glue	Epoxy Color Black	1	
7	Holder	Thermoplastic Color Black	1	
6	EMI Shielded Plate	Copper Alloy Finish N Plated	1	
5	PCB	FR-4 Color —	1	
4	USB-A Receptacle	Housing Thermoplastic, Color Black Contacts Copper Alloy, Finish Au Plated Shell Copper Alloy, Finish N Plated	2	
3	O-Ring	Silicone Color Red	1	
2	Hex Nut	Zn Alloy Finish N Plated	1	
1	Housing	Zn Alloy Finish N Plated	1	
Item	Part Name	Material / Finish	Qty	



Recommend Panel Cut-Out

Mating Part:
122-3023

TITLE						REV.
USB-A Metal C4 Panel Jack Screw						A3
	B	1:1	Edwin 12/10/09	Ray 12/10/09	Ray 12/10/09	XX ± 0.5 X,XX ± 0.2
THIRD ANGLE PROJECTION	SIZE	SCALE	DRAW / DATE	CHECK / DATE	APPROVE / DATE	X,XXX ± 0.05 ANGLES ± 1°
						mm 1/1
						TOLERANCES UNIT SHEET

RS Stock Code
122-3021