

# Product Datasheet

## Joystick



825-2583



825-2587

### Standard Specifications

#### ● Mechanical Performances

##### Controlling range of operating lever:

X、Y axes Approx.  $\pm 12^\circ$  from the centre position

##### Operating force (standard spring return device):

Approx. 2.2N ~ 2.8N (220gf ~ 280gf)

Operating temperature range:  $-20^\circ\text{C} \sim +65^\circ\text{C}$

Vibration: 10 ~ 55Hz 98m/S<sub>2</sub> (10G)

Shock: 294m/S<sub>2</sub> (30G)

Degrees of Protection: IP65 (above mounting panel)

Life expectancy: Approx. 200,000 operations

Mass: Approx. 40g

#### ● Electrical Performances

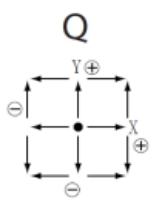
Rating of push-button switch: 50VDC/0.1A

Rating of micro-switches: 250VAC/5A

**RS**  $\frac{4}{1}$  -  $\frac{Y}{2}$   $\frac{Q}{3}$  -  $\frac{0}{4}$   $\frac{4}{5}$   $\frac{R2}{6}$   $\frac{G}{7}$  -  $\frac{GM}{8}$   $\frac{9}{9}$   $\frac{10}{10}$

**825-2583 (RS4-YQ-04R2G)**  
**825-2587 (RS4-YQ-05R2G-GM)**

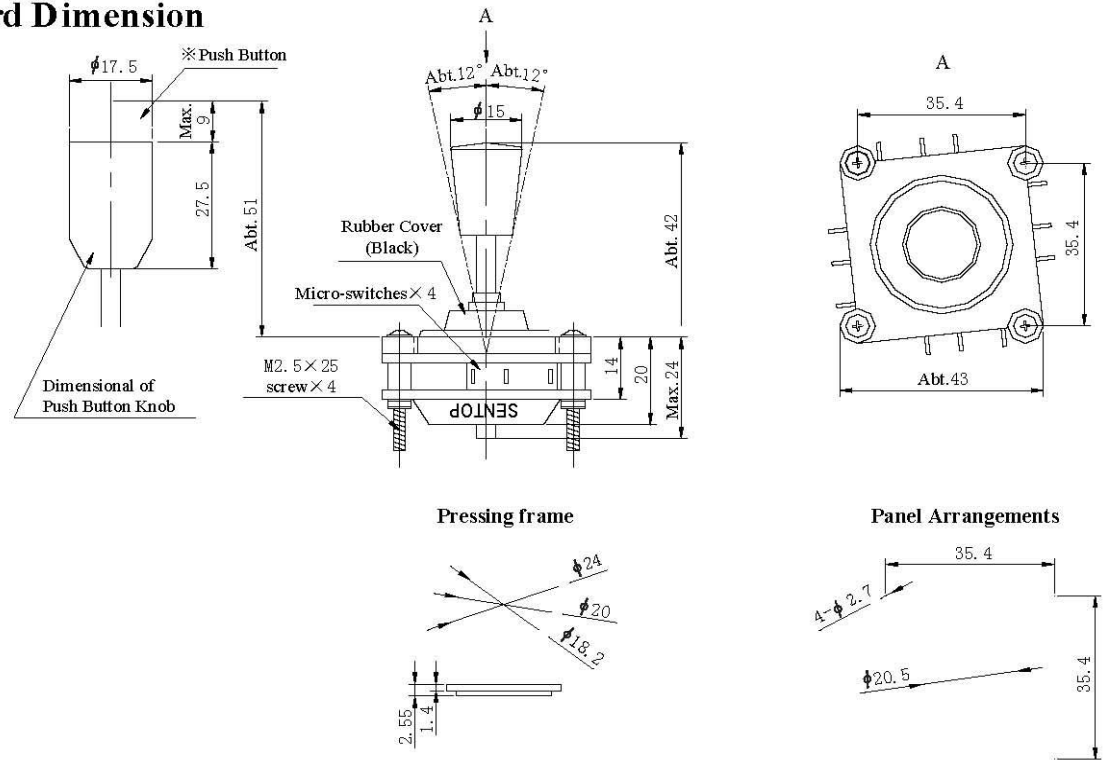
1. **RS** joystick switch.
2. **4** means approx. size of base housing in cm
3. **Y** means 2-axes coordinate
4. **Q** means lever operation as below:



5. **Number of potentiometers**  
**0**..... no potentiometers

6. **Number of switches**  
**4**.....4 micro-switches mounted  
**5**... ..with 4 micro-switches &1 push button switch
7. **With spring return device**  
**R2:** means with spring return for 2 axes.
8. **G** means with dust proof rubber cover
9. **Available button colors of switch for push-button knob**  
**G:** Green
10. **Available switch function for push-button knob**  
**M:** Momentary

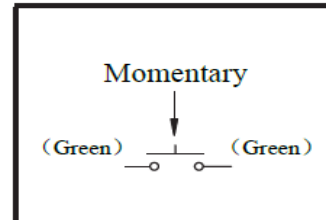
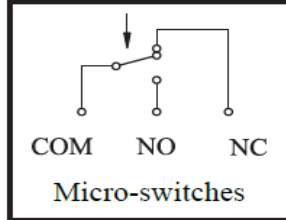
**Standard Dimension**



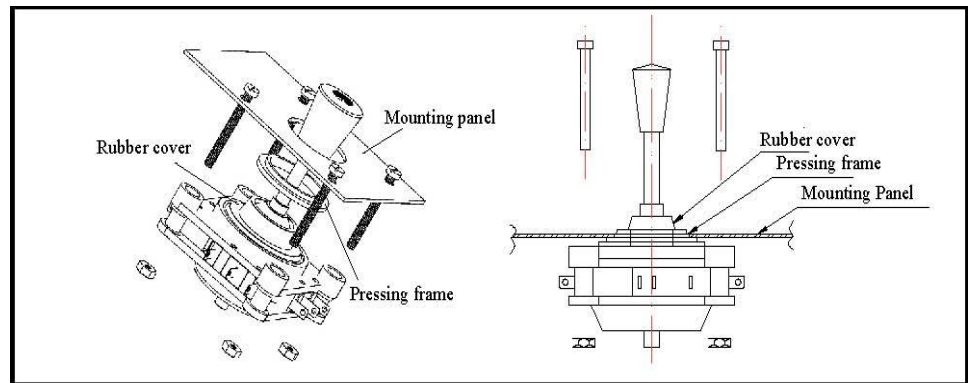


**8252583**  
**(RS4-YQ-04R2G)**  
(Standard)

● **Terminal Connection Diagram**



**8252587**  
**(RS4-YQ-05R2G-GM)**  
(with Push Button Handle)



**Mounting Method**