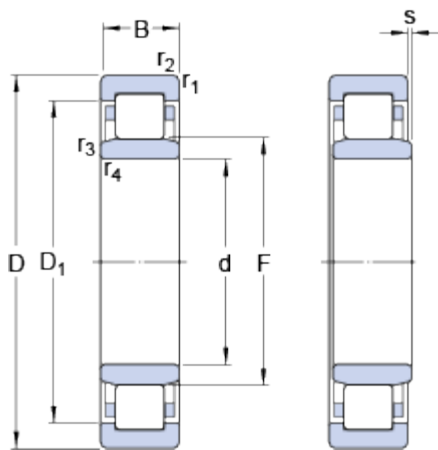


NU 206 ECP

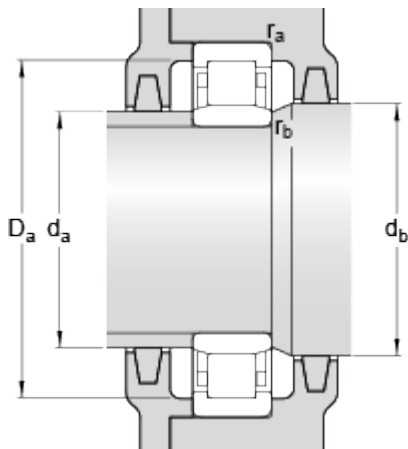
Popular item
SKF Explorer

Dimensions



| | | |
|------------------|----------|----|
| d | 30 | mm |
| D | 62 | mm |
| B | 16 | mm |
| D ₁ | ≈ 52.08 | mm |
| F | 37.5 | mm |
| r _{1,2} | min. 1 | mm |
| r _{3,4} | min. 0.6 | mm |
| s | max. 1.3 | mm |

Abutment dimensions



| | | |
|----------------|-----------|----|
| d _a | min. 34.3 | mm |
| d _a | max. 36.1 | mm |
| d _b | min. 39 | mm |
| D _a | max. 55.9 | mm |
| r _a | max. 1 | mm |
| r _b | max. 0.6 | mm |

Calculation data

| | | | |
|---------------------------|----------------|-------|-------|
| Basic dynamic load rating | C | 44 | kN |
| Basic static load rating | C ₀ | 36.5 | kN |
| Fatigue load limit | P _u | 4.5 | kN |
| Reference speed | | 13000 | r/min |
| Limiting speed | | 14000 | r/min |
| Calculation factor | k _r | 0.15 | |
| Limiting value | e | 0.2 | |
| Axial load factor | Y | 0.6 | |

Mass

| | | | |
|--------------|--|-----|----|
| Mass bearing | | 0.2 | kg |
|--------------|--|-----|----|

Associated products

