

**Product number CN14236_WINNIE-S**

Family	Winnie	FWHM	(simulated) 19
Type	Assembly	Efficiency	(simulated) 92 %
LED	CLL02x/CLU02x (LES10)	cd/lm	(simulated) 4.200
Color	White	Gerber File	Available
Diameter	49.8 mm		
Height	19.3 mm		
Style	Round		
Optic Material	PMMA		
Holder Material	-		
Fastening	["screw"]		
Status	Production ready		

**Product number CN14237_WINNIE-M**

Family	Winnie	FWHM	(simulated) 35
Type	Assembly	Efficiency	(simulated) 92 %
LED	CLL02x/CLU02x (LES10)	cd/lm	(simulated) 1.800
Color	White	Gerber File	Available
Diameter	49.8 mm		
Height	19.3 mm		
Style	Round		
Optic Material	PMMA		
Holder Material	-		
Fastening	["screw"]		
Status	Production ready		

**Product number CN16191_WINNIE-WW-C**

Family	Winnie	FWHM	(simulated) 68
Type	Assembly	Efficiency	(simulated) 82 %
LED	CLL02x/CLU02x (LES10)	cd/lm	(simulated) 0.000
Color	Clear	Gerber File	Available
Diameter	49.8 mm		
Height	19.3 mm		
Style	Round		
Optic Material	PMMA		
Holder Material	-		
Fastening	["socket"]		
Status	Production ready		

**Product number CN14236_WINNIE-S**

Family	Winnie	FWHM	20 degrees
Type	Assembly	Efficiency	88 %
LED	CLL02x/CLU02x (LES10)	cd/lm	3.400
Color	White	Gerber File	Available
Diameter	49.8 mm		
Height	19.3 mm		
Style	Round		
Optic Material	PMMA		
Holder Material	-		
Fastening	["screw"]		
Status	Production ready		

**Product number CN14236_WINNIE-S**

Family	Winnie	FWHM	21 degrees
Type	Assembly	Efficiency	87 %
LED	CLL02x/CLU02x (LES10)	cd/lm	3.340
Color	White	Gerber File	Available
Diameter	49.8 mm		
Height	19.3 mm		
Style	Round		
Optic Material	PMMA		
Holder Material	-		
Fastening	["screw"]		
Status	Production ready		

**Product number CN14237_WINNIE-M**

Family	Winnie	FWHM	35 degrees
Type	Assembly	Efficiency	87 %
LED	CLL02x/CLU02x (LES10)	cd/lm	2.300
Color	White	Gerber File	Available
Diameter	49.8 mm		
Height	19.3 mm		
Style	Round		
Optic Material	PMMA		
Holder Material	-		
Fastening	["screw"]		
Status	Production ready		

**Product number CN14237_WINNIE-M**

Family	Winnie	FWHM	35 degrees
Type	Assembly	Efficiency	86 %
LED	CLL02x/CLU02x (LES10)	cd/lm	1.600
Color	White	Gerber File	Available
Diameter	49.8 mm		
Height	19.3 mm		
Style	Round		
Optic Material	PMMA		
Holder Material	-		
Fastening	["screw"]		
Status	Production ready		

**Product number CN14238_WINNIE-W**

Family	Winnie	FWHM	46 degrees
Type	Assembly	Efficiency	87 %
LED	CLL02x/CLU02x (LES10)	cd/lm	1.600
Color	White	Gerber File	Available
Diameter	49.8 mm		
Height	19.3 mm		
Style	Round		
Optic Material	PMMA		
Holder Material	-		
Fastening	["screw"]		
Status	Production ready		

**Product number CN14238_WINNIE-W**

Family	Winnie	FWHM	46 degrees
Type	Assembly	Efficiency	87 %
LED	CLL02x/CLU02x (LES10)	cd/lm	1.100
Color	White	Gerber File	Available
Diameter	49.8 mm		
Height	19.3 mm		
Style	Round		
Optic Material	PMMA		
Holder Material	-		
Fastening	["screw"]		
Status	Production ready		

**Product number CN14811_WINNIE-O**

Family	Winnie	FWHM	63+22 degrees
Type	Pack	Efficiency	90 %
LED	CLL02x/CLU02x (LES10)	cd/lm	1.600
Color	Clear	Gerber File	Available
Diameter	49.8 mm		
Height	19.3 mm		
Style	Round		
Optic Material	PMMA		
Holder Material	-		
Fastening	["screw"]		
Status	Production ready		

NOTE: The typical divergence will be changed by different color, chip size and chip position tolerance. The typical total divergence is the full angle measured where the luminous intensity is half of the peak value.



PRODUCT DATASHEET

Winnie series

last update 19/1/2018

GENERAL INFORMATION

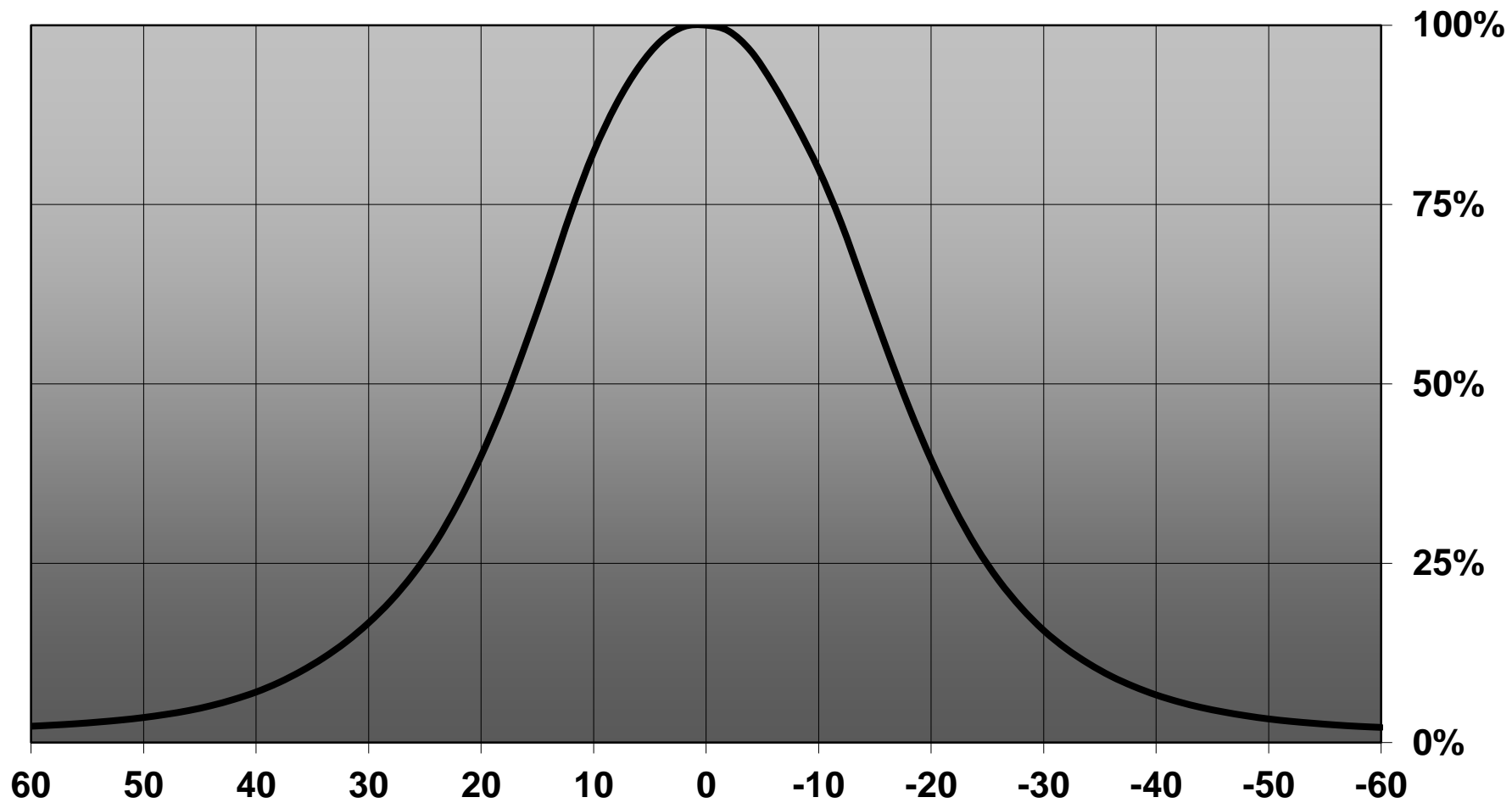
- Product series especially designed & optimized for CLL02x/CLU02x (LES10) series of LEDs.
- Special care taken to make light distribution as uniform as possible.
- Lens material optical grade PMMA with high UV and temperature resistance. Allows use of high current and temperature conditions.

Please find more information about used material from below:

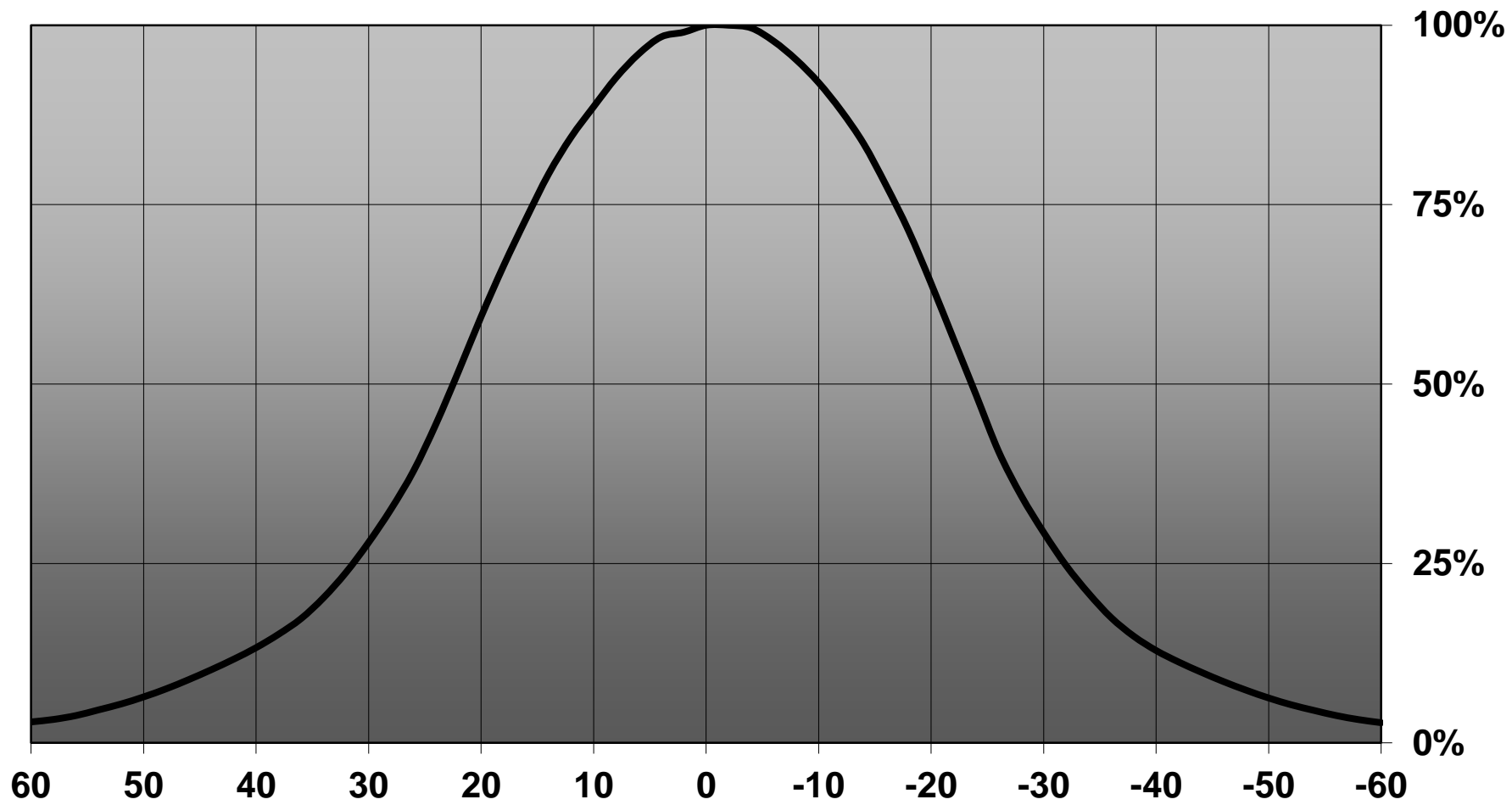
http://ledil.fi/sites/default/files/Documents/Technical/Material/PMMA%20N%20UL94_Yellow%20Card.pdf

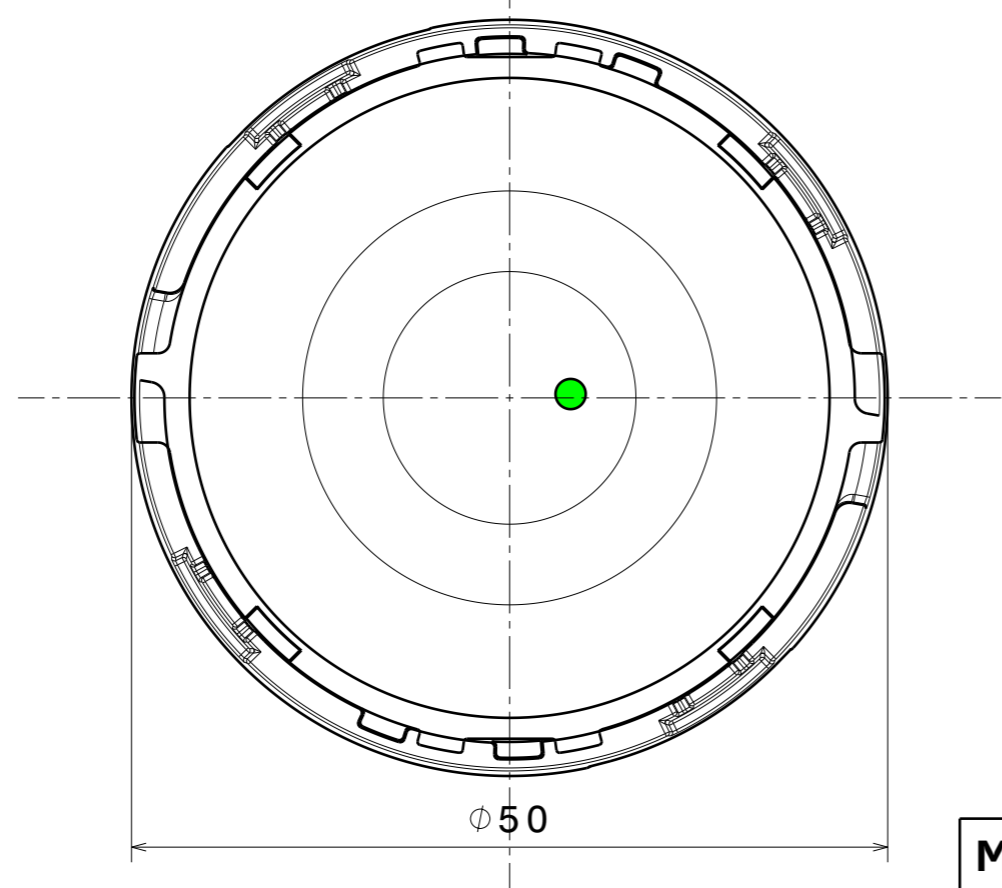
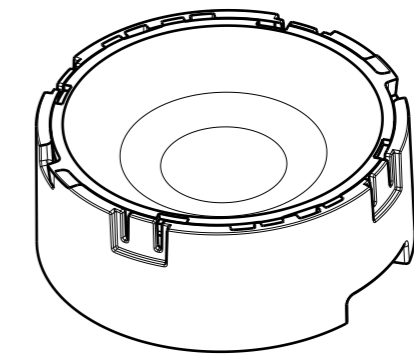
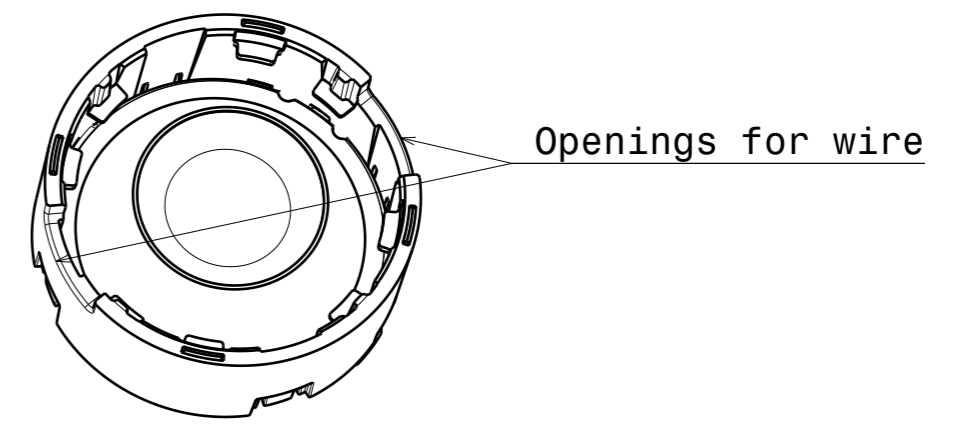
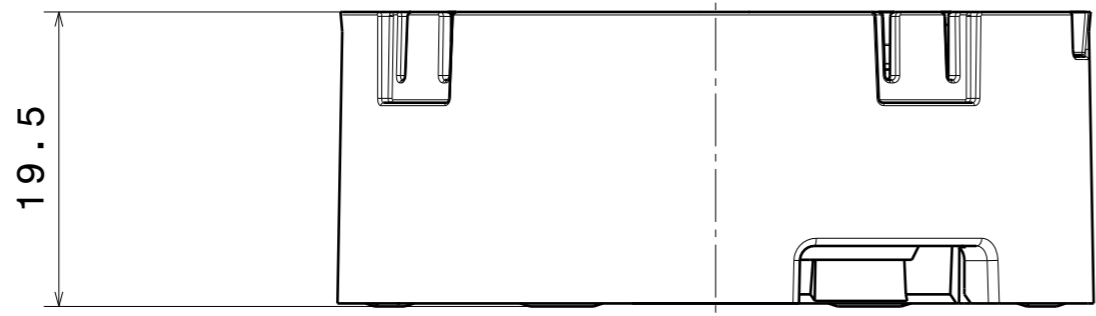
<http://ledil.fi/sites/default/files/Documents/Technical/Material/PMMA%20N%20PLEXIGLAS-Datasheet.pdf>

Relative intensity of CN14237_WINNIE-M_(CLL020)



Relative intensity of CN14238_WINNIE-W_(CLL020)





COMPONENTS

CN16191_Mechanical Model

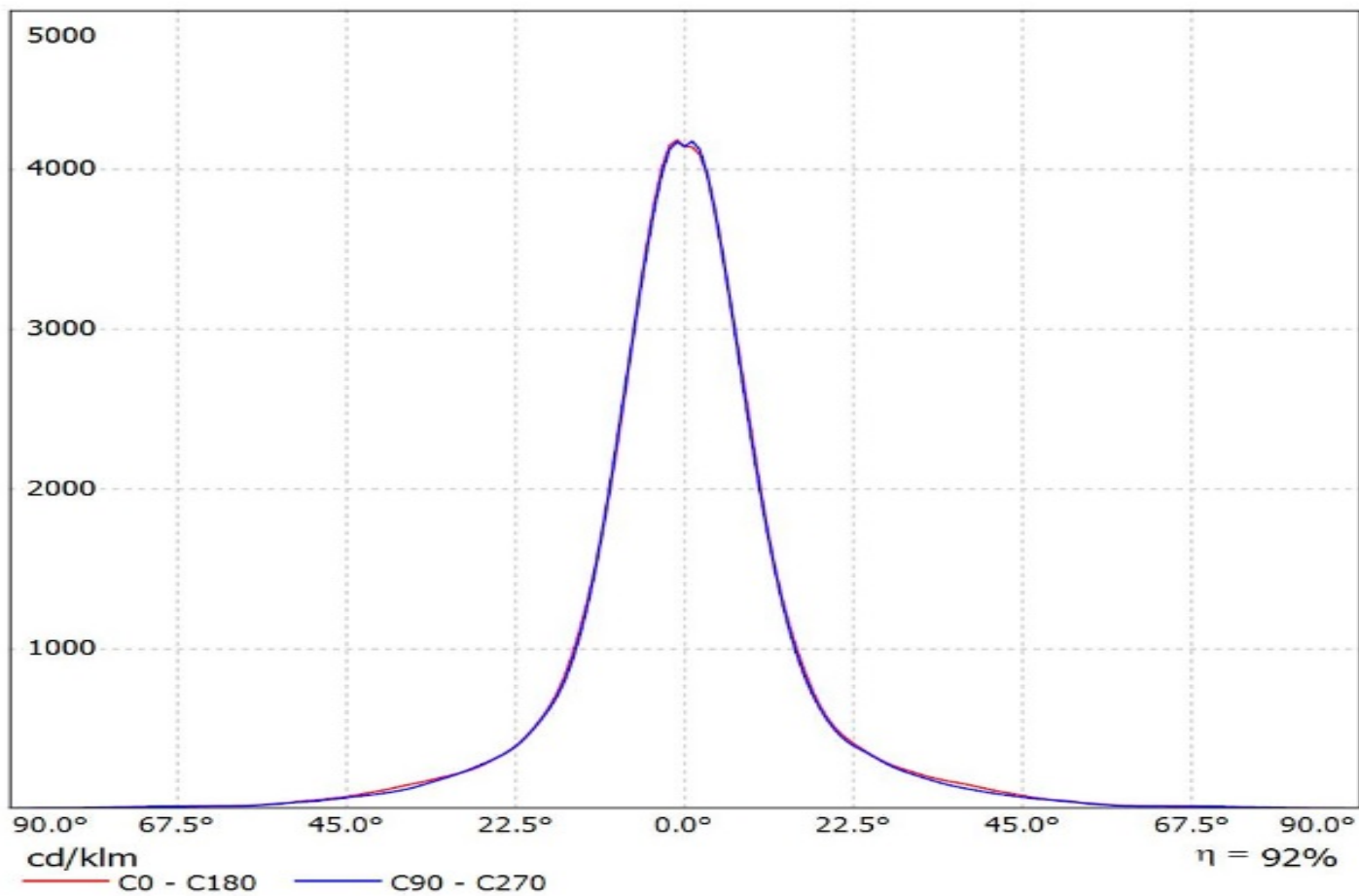
INDEX	PART	TYPE	MATERIAL	COLOR / COATING
1	C16189_WINNIE-WW		PMMA	Clear
2	C15821_WINNIE-HLD-C		PA66	Black

MECHANICAL DRAWING		LEDiL [®]
PRODUCT	WINNIE	
Plastic molding general tolerances are based on DIN 16901-130 and applies if not otherwise shown in drawing. Silicone molding general tolerances are based on ISO 3302-1 Class M3 and applies if not otherwise shown in the drawing.	FIRST ANGLE PROJECTION: 	This drawing is the property of LEDiL Oy. It may not be reproduced, copied or communicated without a written agreement with LEDiL Oy.
SCALE	1:1	WEIGHT 10 g
		A3 SHEET 1/1

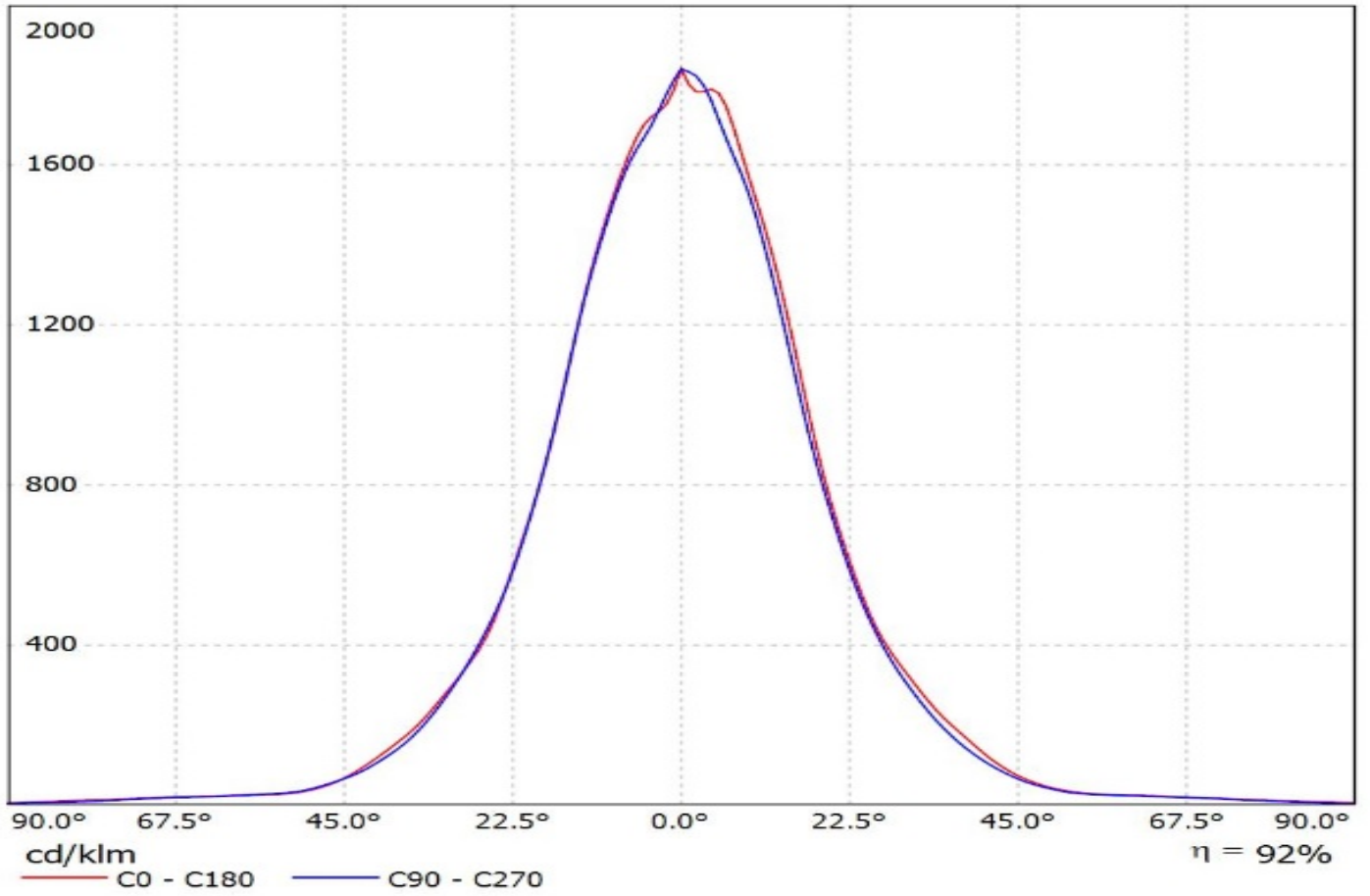
Notes

- PCB or heatsink level.
- LED location.
- Ensure LED fitting from a product specific 3D model available from www.ledil.com.
- See installation details in page 2.

Luminaire: Ledil Oy CN14236_WINNIE-S_(CLU028)_SIMULATED
Lamps: 1 x Citizen CLU028-1204C4-303M2K1

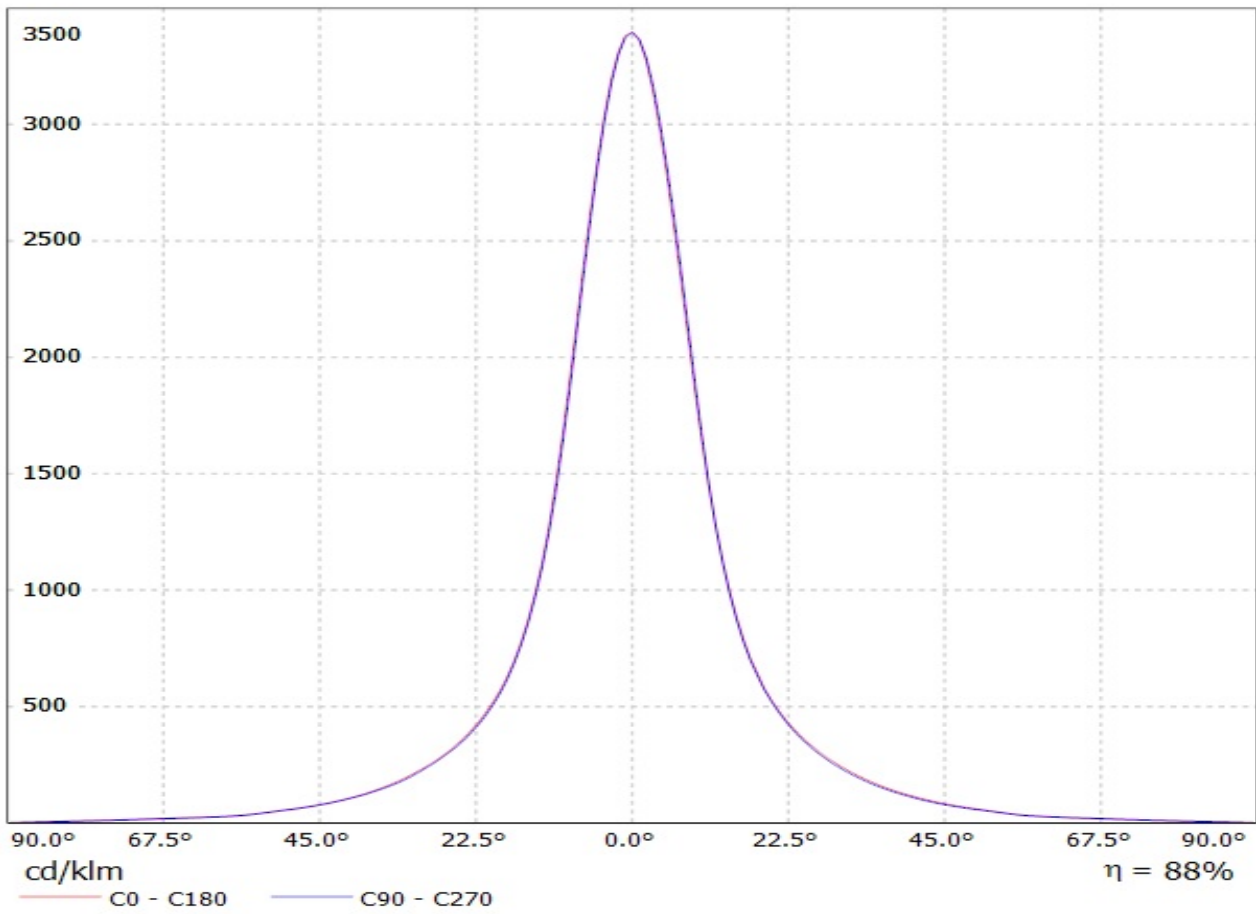


Luminaire: Ledil Oy CN14237_WINNIE-M_(CLU028)_SIMULATED
Lamps: 1 x Citizen CLU028-1204C4-303M2K1

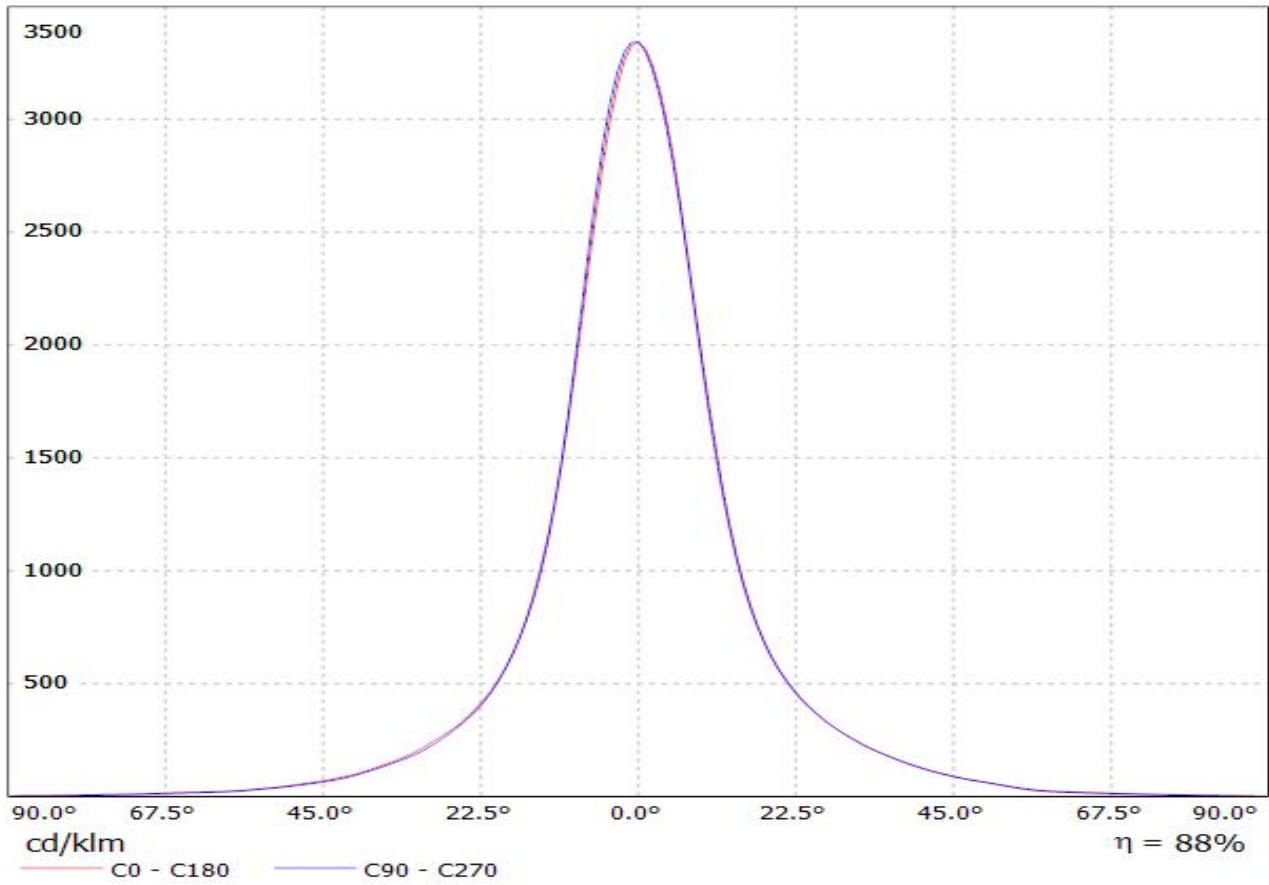


Luminaire: LEDiL Oy CN14236_WINNIE-S_(CLU024)_434-Typ-L5

Lamps: 1 x Citizen_CLU-024_(CLU024-1204B8-303M1A2)_434-Typ-L5_1023.5lm@250mA_P=8.57963W_I=0.2498A

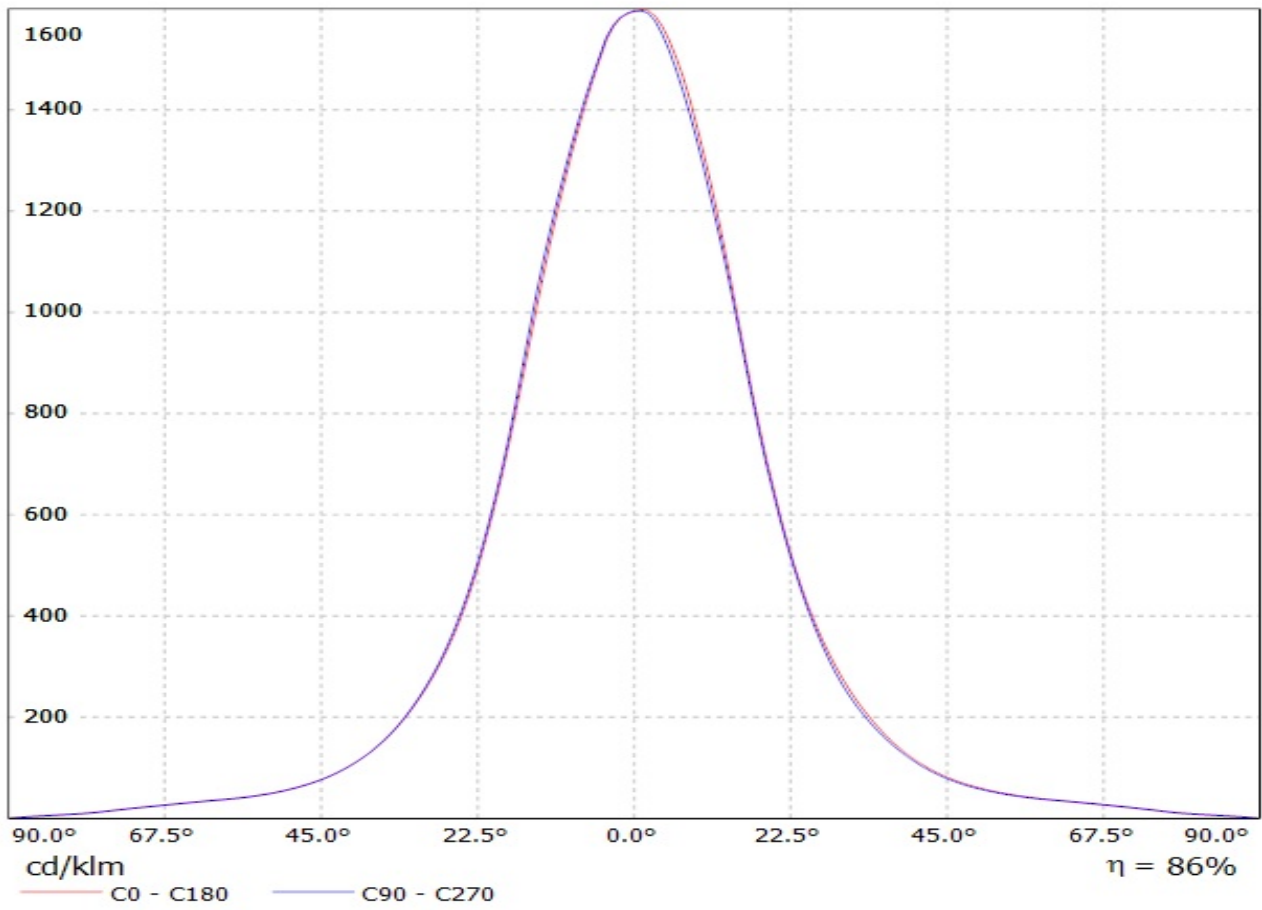


Luminaire: Ledil Oy CN14236_WINNIE-S_(CLL020) Efficiency=87%
Lamps: 1 x Citizen CLL020 (CLL020-1202A5-303H1A7) 339lm @ 120mA CCT=3000K P=4.20W I=120mA



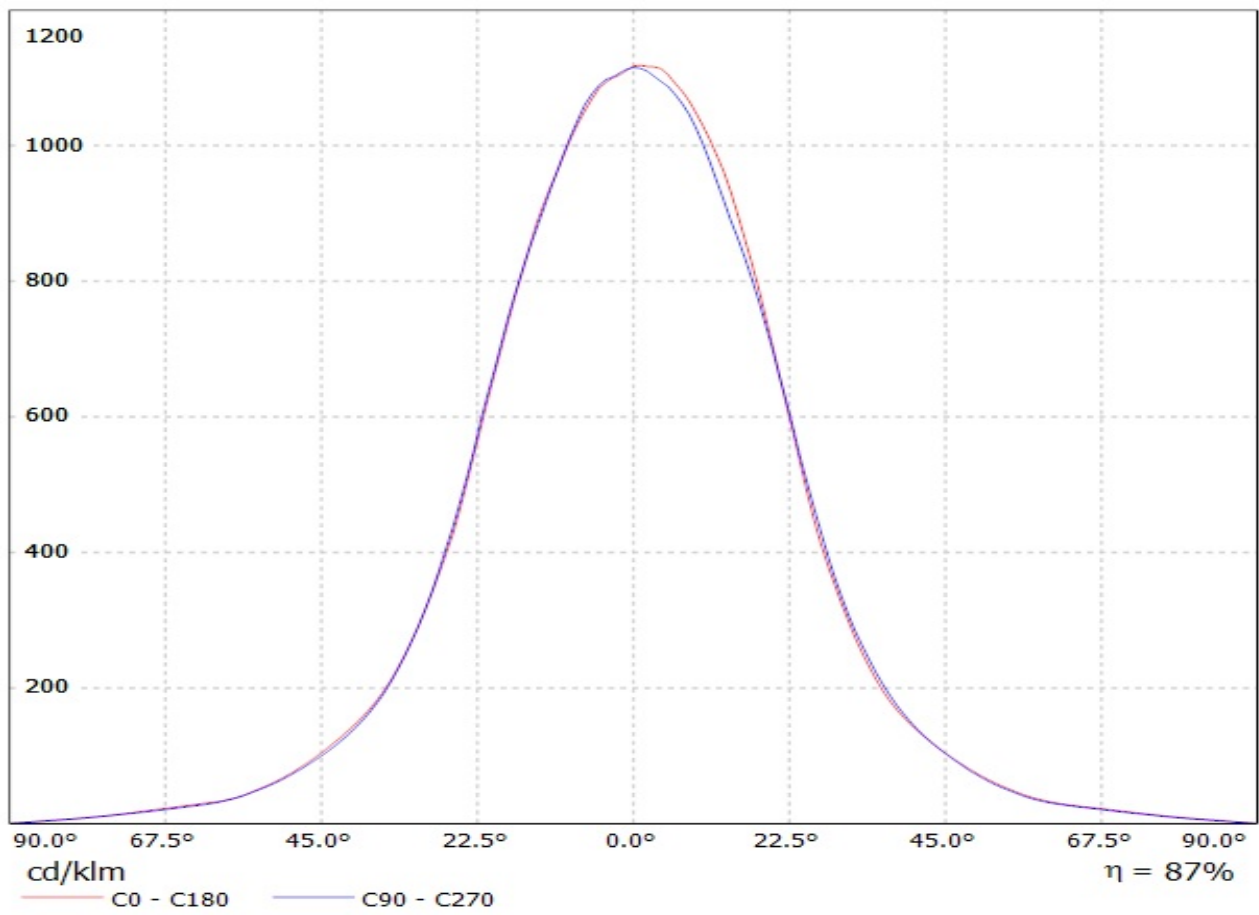
Luminaire: LEDiL Oy CN14237_WINNIE-M_(CLU024)_434-Typ-L5

Lamps: 1 x Citizen_CLU-024_(CLU024-1204B8-303M1A2)_434-Typ-L5_1023.5lm@250mA_P=8.57963W_I=0.2498A



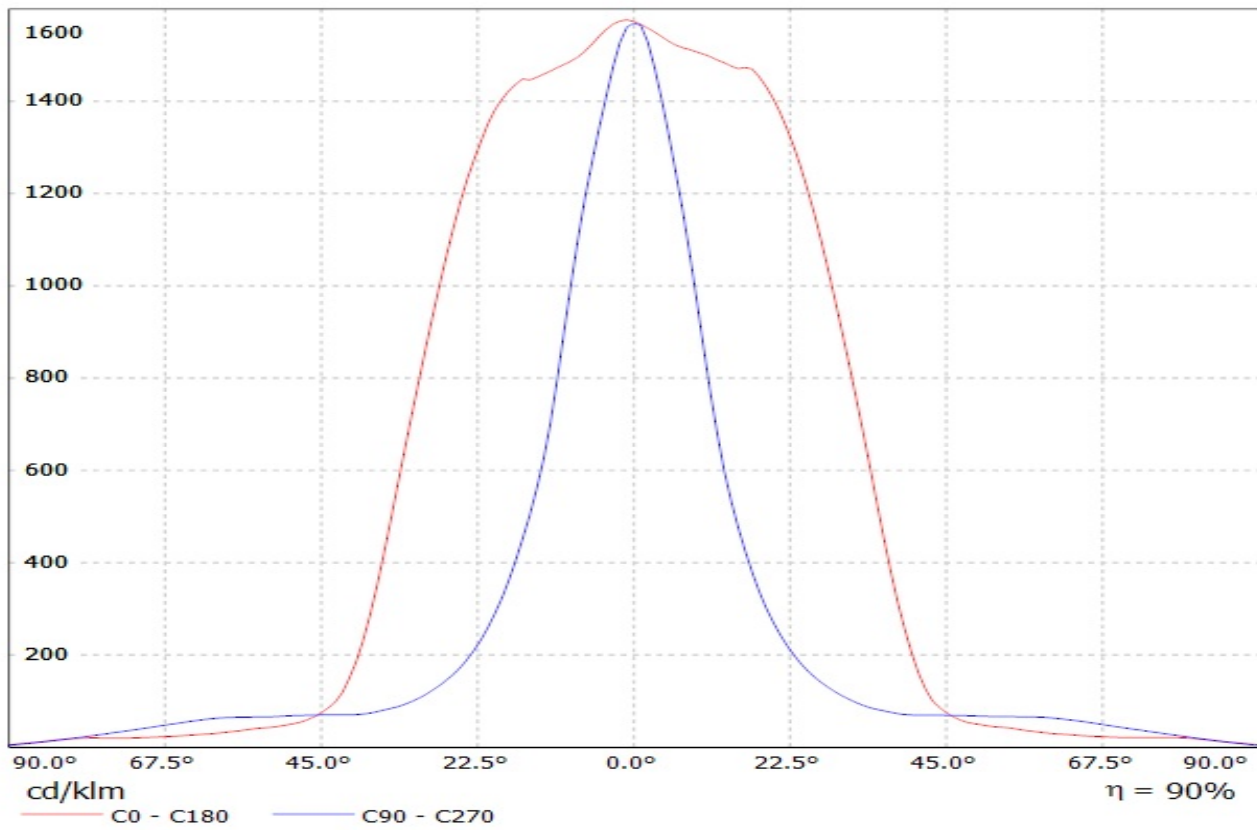
Luminaire: LEDiL Oy CN14238_WINNIE-W_(CLU024)_434-Typ-L5

Lamps: 1 x Citizen_CLU-024_(CLU024-1204B8-303M1A2)_434-Typ-L5_1023.5lm@250mA_P=8.57963W_I=0.2498A

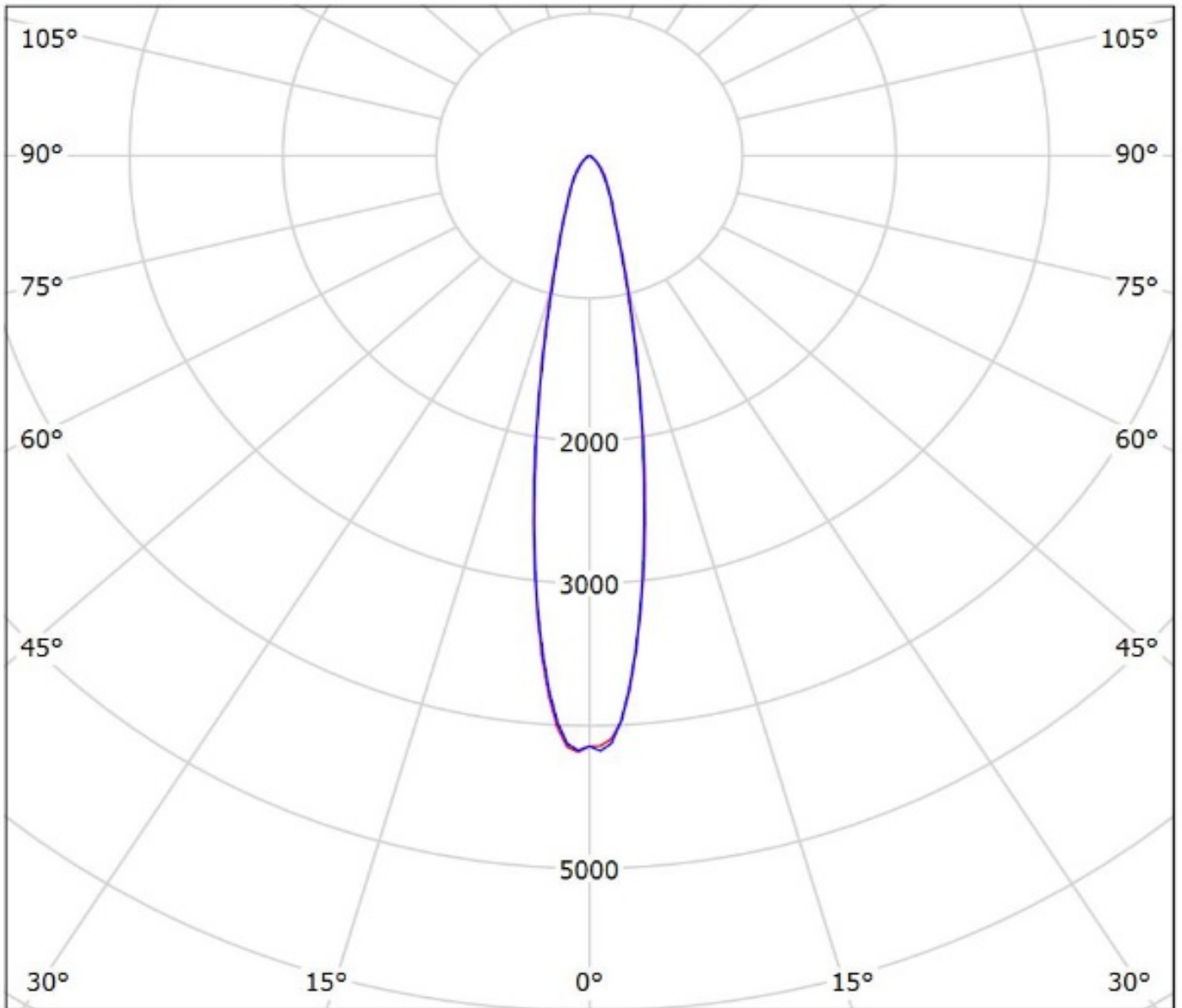


LEDiL Oy CN14811_WINNIE-O_(CLU024)_(434_Typ_L5) / LDC (Linear)

Luminaire: LEDiL Oy CN14811_WINNIE-O_(CLU024)_(434_Typ_L5)
Lamps: 1 x Citizen_CLU024_(CLU024-1204B8-303M1A2)_(434_Typ_L5)
_996.219lm@250mA_P=8.4851W_I=0.2499A



Luminaire: Ledil Oy CN14236_WINNIE-S_(CLU028)_SIMULATED
Lamps: 1 x Citizen CLU028-1204C4-303M2K1

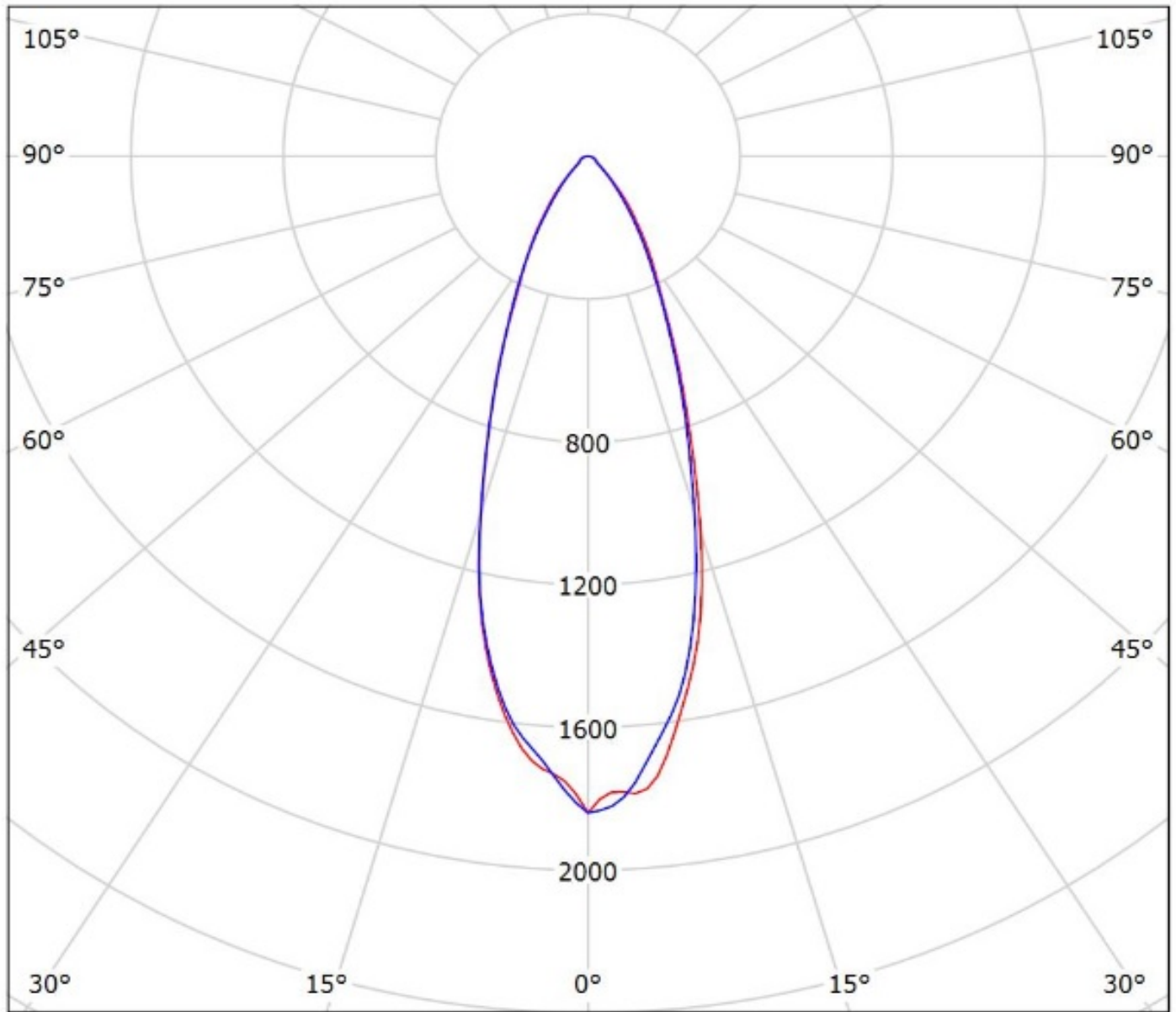


cd/klm

— C0 - C180 — C90 - C270

$\eta = 92\%$

Luminaire: Ledil Oy CN14237_WINNIE-M_(CLU028)_SIMULATED
Lamps: 1 x Citizen CLU028-1204C4-303M2K1



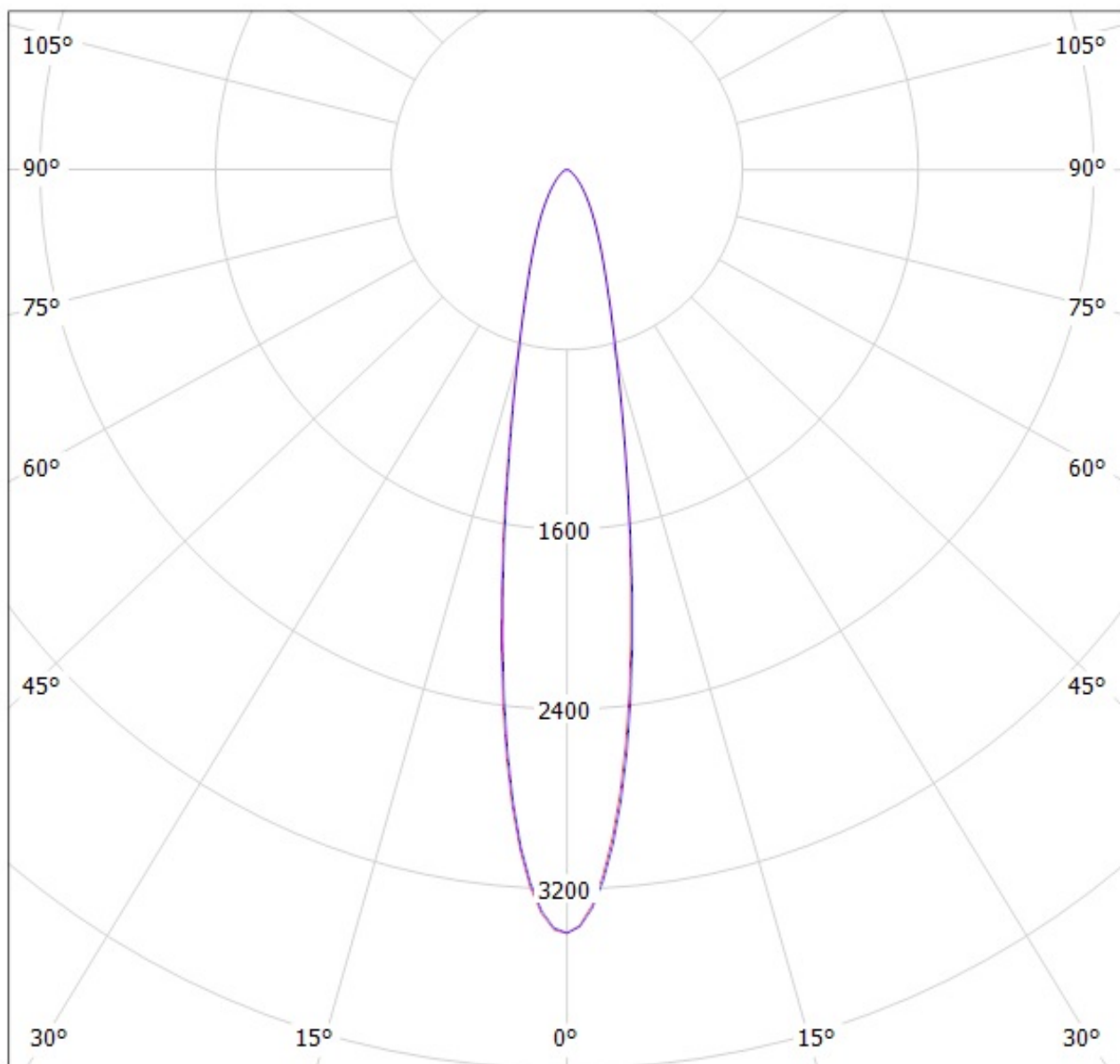
cd/klm

— C0 - C180 — C90 - C270

$\eta = 92\%$

Luminaire: LEDiL Oy CN14236_WINNIE-S_(CLU024)_434-Typ-L5

Lamps: 1 x Citizen_CLU-024_(CLU024-1204B8-303M1A2)_434-Typ-L5_1023.5lm@250mA_P=8.57963W_I=0.2498A



cd/klm

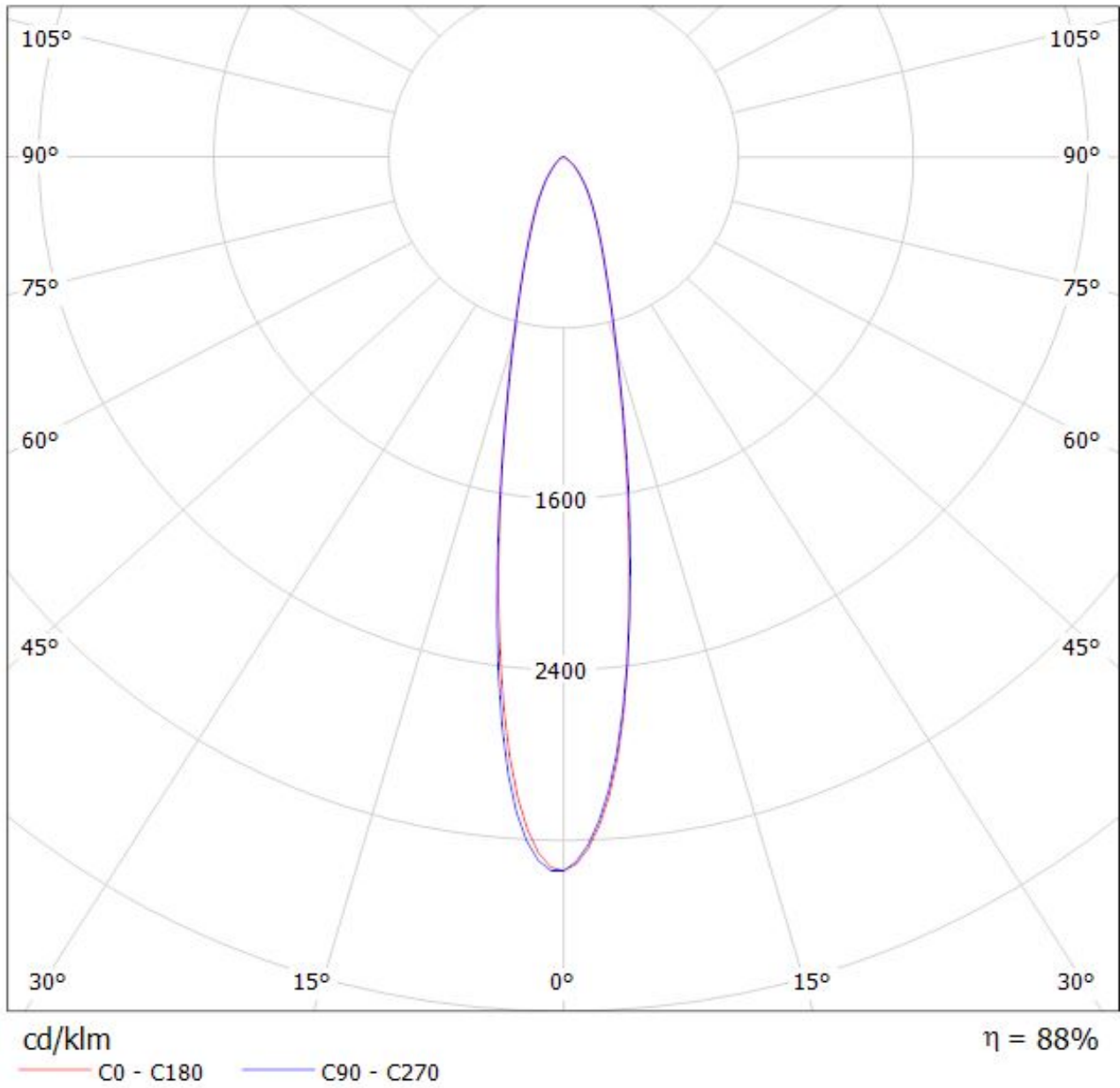
$\eta = 88\%$

— C0 - C180

— C90 - C270

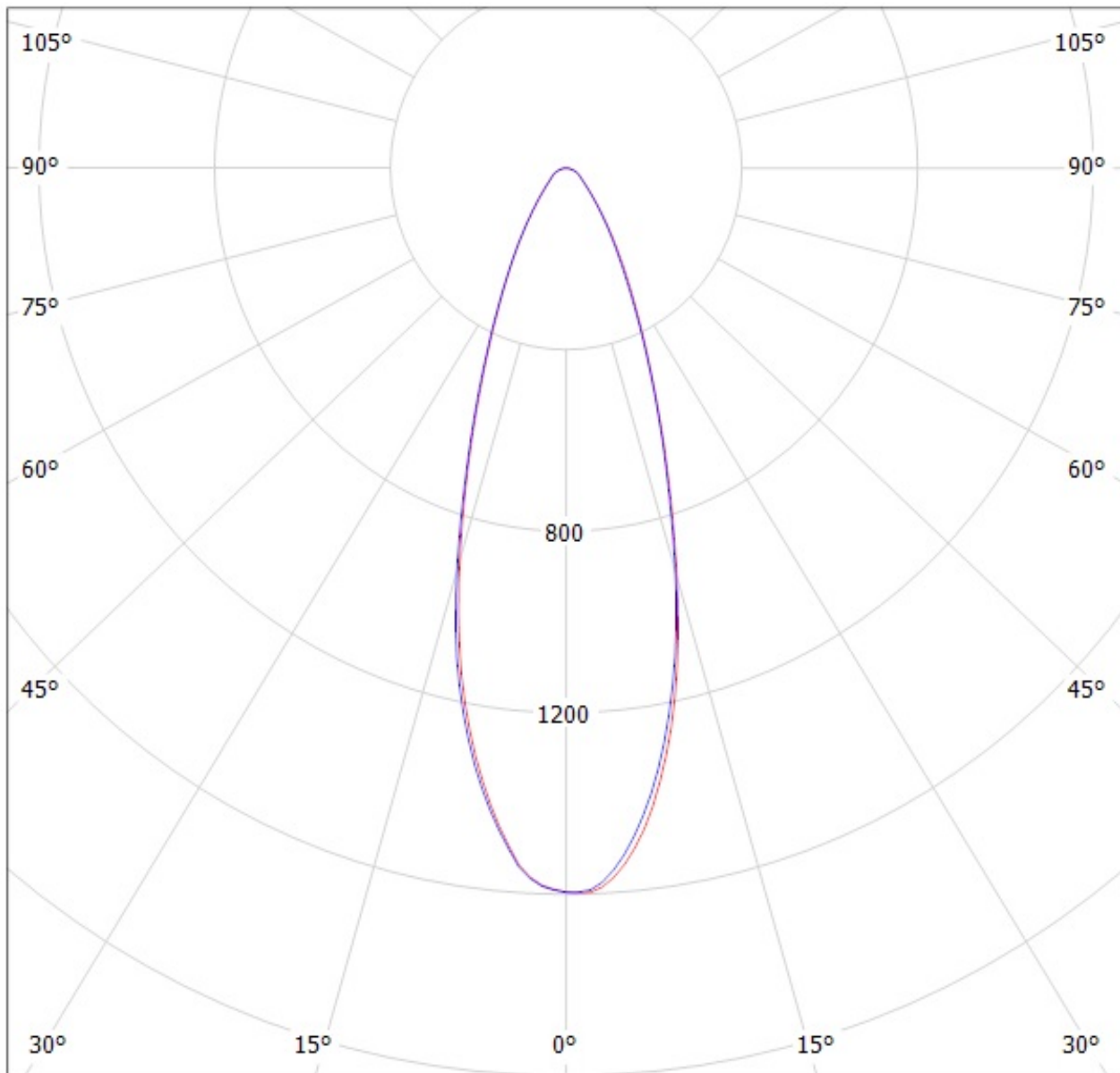
Luminaire: Ledil Oy CN14236_WINNIE-S_(CLL020) Efficiency=87%

Lamps: 1 x Citizen CLL020 (CLL020-1202A5-303H1A7) 339lm @ 120mA CCT=3000K P=4.20W I=120mA



Luminaire: LEDiL Oy CN14237_WINNIE-M_(CLU024)_434-Typ-L5

Lamps: 1 x Citizen_CLU-024_(CLU024-1204B8-303M1A2)_434-Typ-L5_1023.5lm@250mA_P=8.57963W_I=0.2498A



cd/klm

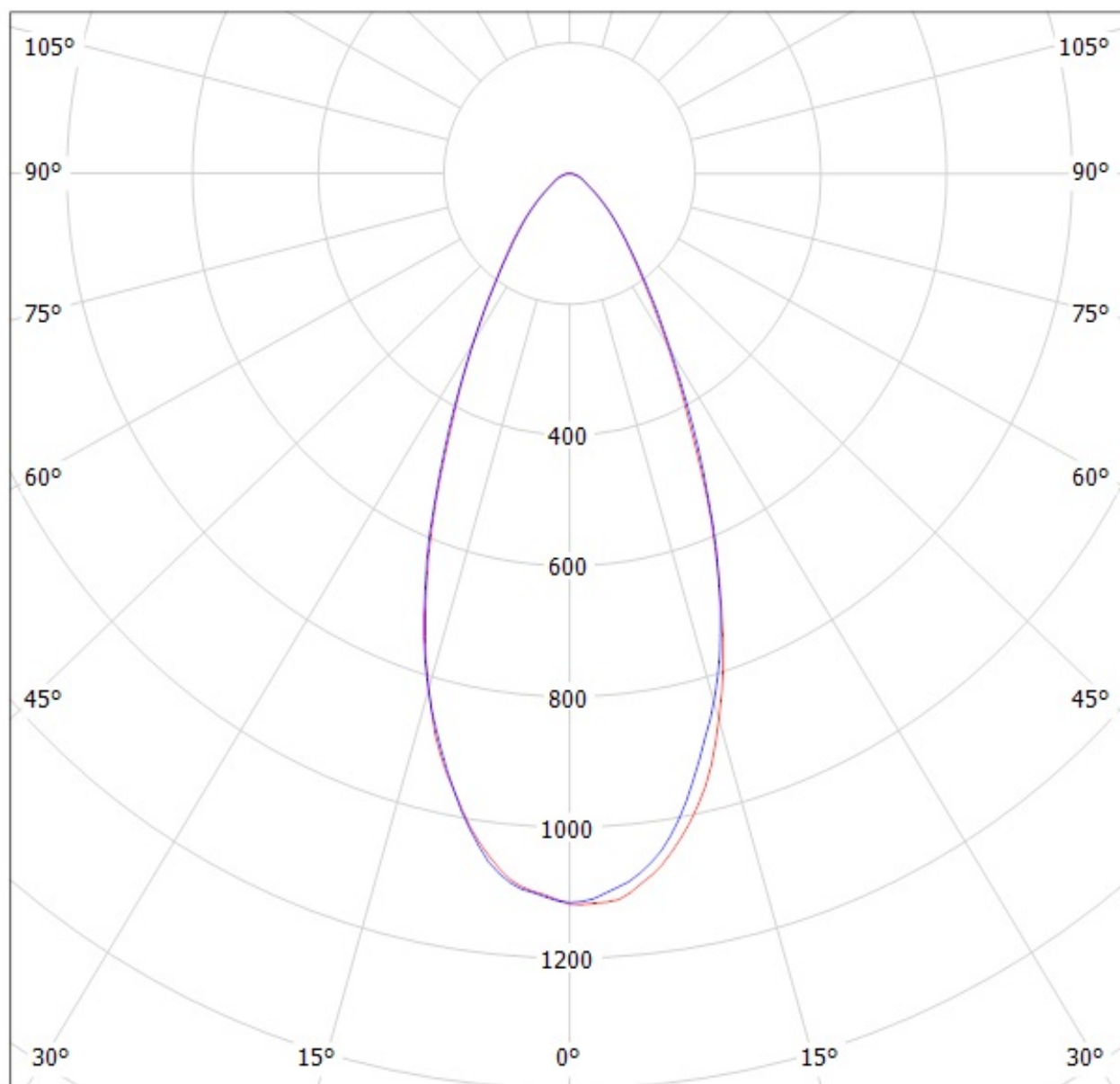
— C0 - C180

— C90 - C270

$\eta = 86\%$

Luminaire: LEDiL Oy CN14238_WINNIE-W_(CLU024)_434-Typ-L5

Lamps: 1 x Citizen_CLU-024_(CLU024-1204B8-303M1A2)_434-Typ-L5_1023.5lm@250mA_P=8.57963W_I=0.2498A



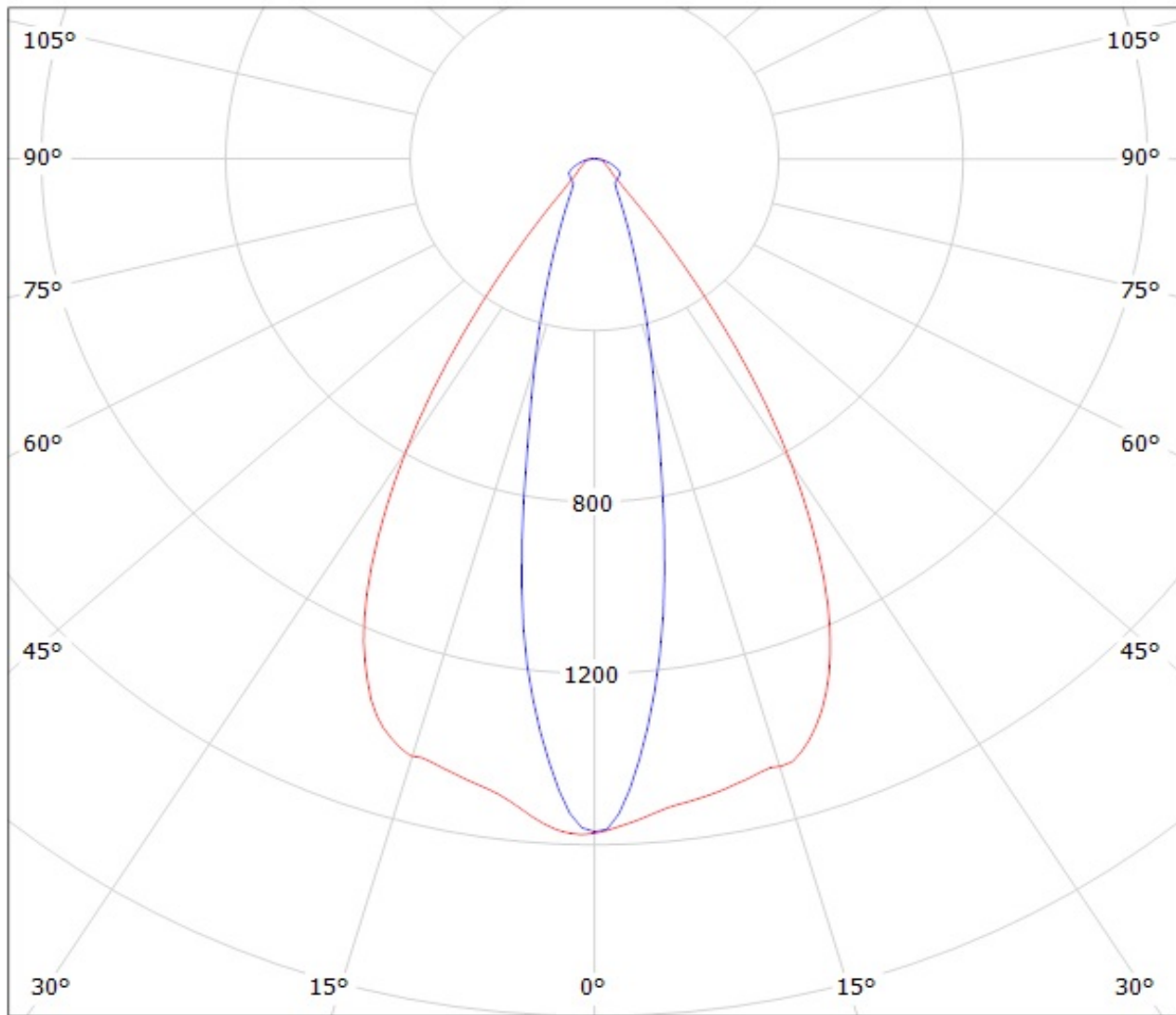
cd/klm

$\eta = 87\%$

— C0 - C180 — C90 - C270

LEDiL Oy CN14811_WINNIE-O_(CLU024)_(434_Typ_L5) / LDC (Polar)

Luminaire: LEDiL Oy CN14811_WINNIE-O_(CLU024)_(434_Typ_L5)
Lamps: 1 x Citizen_CLU024_(CLU024-1204B8-303M1A2)_(434_Typ_L5)
_996.219lm@250mA_P=8.4851W_I=0.2499A



— C0 - C180 — C90 - C270