

K.230B | 3/4" TO 1/2" COUPLER

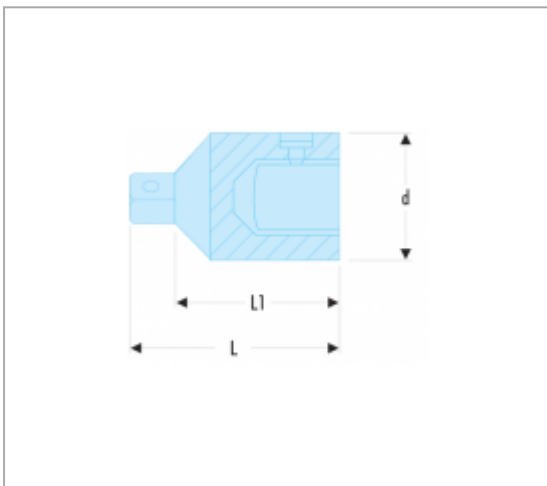


Norm :


NF ISO 3316, ISO 3316, DIN 3123, ASME B107.10

Description :

- For adapting sockets and accessories 1/2".
- Interchangeable 1/2" male square ref. K.230B1.
- Max. torque 512 N.m.
- Finish: satin chrome, phosphate square.



Informations :

	K.230B
d [mm]	36
L [mm]	58,5
L1 [mm]	43
Color	Black 9004
[g]	250