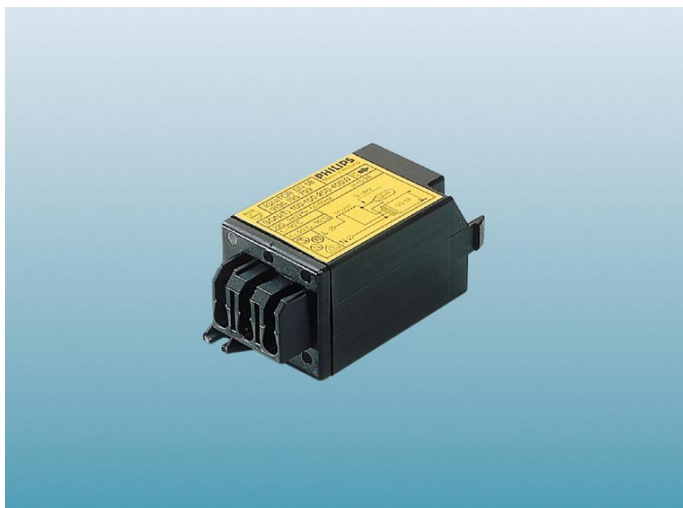


# Electronic ignitors for HID lamp circuits



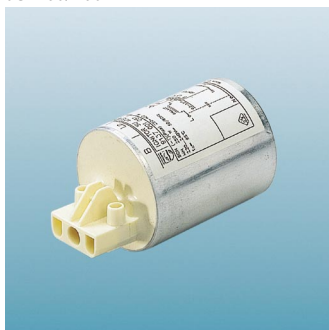
SN 53/57/58, SI 51/52, SX 73/131



SU 10S/20S



SN 56/57T5/58T5/58T15/59/61, SI 54, SX 26/70/72/74/75/76



SU 40S

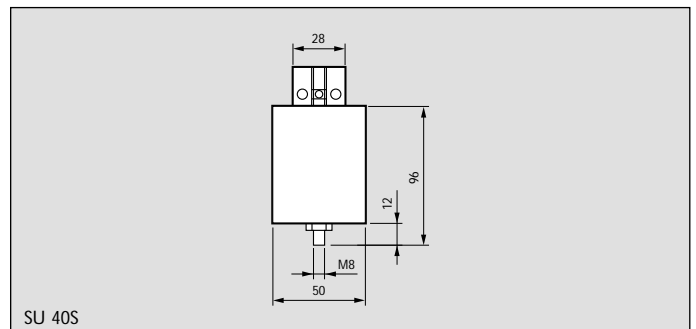
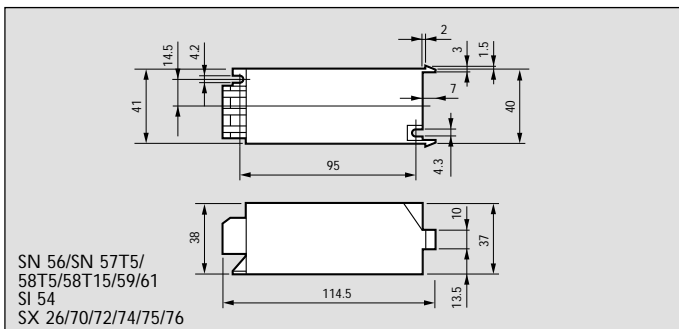
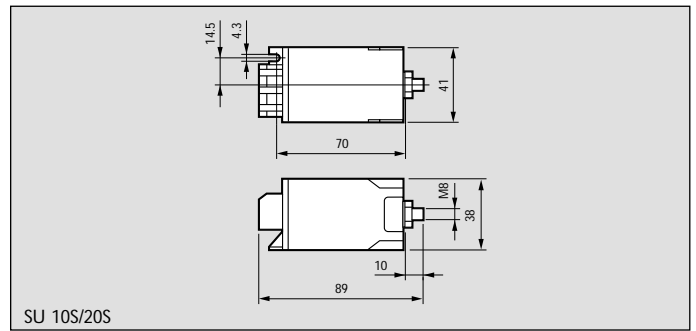
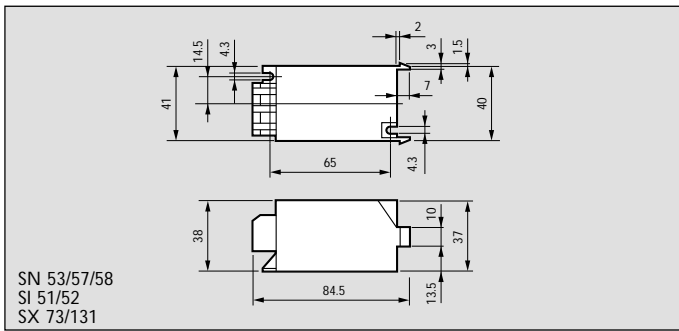
- Electronic ignitors for (ceramic discharge) metal halide, low-pressure and high-pressure sodium lamps
- Impulser (semi-parallel), superimposed pulse (series) and parallel versions available
- SN 57 T5 and SN 58 T5 types incorporate timer to switch off ignitor circuit when lamp fails
- Designed fully to satisfy IEC 662 and EN 60926 regulations
- Ensure reliable and smooth starting behaviour
- Ignitors are standard equipped with screw terminal blocks
- Compact dimensions and light in weight
- Simple stud or screw mounting

**Note:**

For maximum load capacity of the combination ballast/ignitor, please consult the relevant ballast data.

\* For MH/CDM lamps 3.5-5 KV.

# Electronic ignitors for HID lamp circuits



Dimensions in mm

Type	For lamp	Mains		Peak * voltage	Max lamp current	Losses	Temperature range	Approvals	Ordering number
		Volt V	Freq. Hz	Kv	A	W	°C		
<b>Semi-parallel (Impulser) IMP</b>									
SN 53	SON	220/230/240	50/60	3.5-5.0	12.0	1.0	-20 +80		9136 195 399..
SN 56	MHN	220/230/240	50/60	2.8-5.0	-	1.0	-20 +60		9136 196 699..
SN 57	SON/MH	220/230/240	50/60	1.8-2.5	-	<0.5	-20 +90		9136 195 899..
SN 58	SON/MH/CDM/HPA	220/230/240	50/60	2.8-5.0	-	<0.5	-20 +90		9136 195 799..
SN 59	SON/MHN	220/230/240	50/60	2.8-5.0	-	1.0	-20 +80		9136 196 599..
<b>Semi-parallel (Impulser) IMP Self-stopping</b>									
SN 57T5	SON	220/230/240	50/60	1.8-2.5	-	<1.0	-20 +80		9137 001 065..
SN 58T5	SON	220/230/240	50/60	2.8-5.0	-	<1.0	-20 +80		9137 001 066..
SN 58T15	MH/CDM	220/230/240	50/60	3.5-5.0	-	<1.0	-20 +80		9137 001 173..
SN 61	SON	220/230/240	50/60	3.5-5.0	-	1.5	-20 +80		9136 195 699..
<b>Superimposed pulse (Series) SIP</b>									
SU 10S	SON	220/230/240	50/60	1.8-2.5	1.50	0.6	-20 +80		9137 001 045..
SU 20S	SON/MH	220/230/240	50/60	3.5-5.0	3.00	2.0	-20 +80		9137 001 036..
SU 40S	SON/MH	220/230/240	50/60	3.5-5.0	5.00	3.0	-20 +80		9137 001 061..
<b>Parallel PAR</b>									
SI 51	HPI	220/230/240	50/60	0.56-0.75	-	<1.0	-20 +80		9136 195 199..
SI 52	HPI	220/230/240	50/60	0.56-0.75	-	<1.0	-20 +80		9136 195 299..
SI 54	HPI	380/400/415	50/60	0.9-1.5	-	<2.0	-20 +80		9136 191 499..
<b>Parallel PAR</b>									
SX 26	SOX/SOX-E	220/230/240	50/60	0.7-1.0	-	<1.0	-20 +80		9136 541 099..
SX 70	SOX/SOX-E	220/230/240	50/60	0.7-1.2	-	<1.0	-20 +80		9136 540 390..
SX 72	SOX/SOX-E	220/230/240	50/60	0.7-1.0	-	<1.0	-20 +80		9136 540 590..
SX 73	SOX	220/230/240	50/60	1.0-1.4	1.00	<2.0	-20 +80		9136 540 290..
SX 74	SOX/SOX-E	220/230/240	50/60	1.0-1.4	-	<1.0	-20 +80		9136 540 790..
SX 75	SOX	220/230/240	50/60	0.7-1.0	-	<1.0	-20 +80		9136 540 690..
SX 76	SOX	220/230/240	50/60	0.7-1.0	-	<1.0	-20 +80		9136 500 505..
SX 131	SOX-E	220/230/240	50/60	1.0-1.4	0.65	<2.0	-20 +80		9136 541 090..

