

Main

| | |
|--|---|
| Range of product | Magelis XBTGT |
| Product or component type | Advanced touchscreen panel |
| Display type | Backlit colour TFT LCD |
| Display colour | 65536 colours |
| Display resolution | 640 x 480 pixels VGA |
| Display size | 10.4 inch |
| Software type | Configuration software |
| Software designation | Vijeo Designer |
| Operating system | Magelis |
| Processor name | CPU RISC |
| Processor frequency | 266 MHz |
| Memory description | Back up of data SRAM 512 kB lithium battery Application memory flash EPROM 32 MB |
| Integrated connection type | Power supply removable screw terminal block Digital input removable screw terminal block COM2 serial link RJ45 RS485 <= 187.5 kbit/s Siemens MPI (187.5 kbits/s) COM1 serial link male SUB-D 9 RS232C/RS422/ RS485 <= 115.2 kbits/s Audio output removable screw terminal block 3 digital output removable screw terminal block Ethernet TCP/IP RJ45 2 USB type A master port (V1.1) |
| Resistance to electro-static discharge | 6 kV IEC 61000-4-2 level 3 |
| Cut-out dimensions | 259 (+ 1/- 0) x 201 (+ 1/- 0) mm |

Complementary

| | |
|---------------------------|---|
| Touch sensitive zone | 1024 x 1024 |
| Touch panel | Analogue |
| Backlight lifespan | 54000 hours |
| Brightness | 8 levels via touch panel |
| Contrast | 8 levels via touch panel |
| Character font | ASCII (European characters) Chinese (simplified Chinese) Japanese (ANK, Kanji) Korean Taiwanese (traditional Chinese) |
| [Us] rated supply voltage | 24 V DC |
| Supply | External source |
| Supply voltage limits | 19.2...28.8 V |
| Inrush current | <= 30 A |
| Power consumption | 30 W |
| Local signalling | 1 LED (green or orange) for normal operation or backlighting faulty |
| Number of pages | Limited by internal memory capacity |

| | |
|------------------------|--|
| Downloadable protocols | Uni-TE Telemecanique Modicon Third party protocols Siemens Simatic Third party protocols Rockwell Automation Allen-Bradley Third party protocols Omron Sysmac Third party protocols Mitsubishi Melsec Modbus Telemecanique Modicon Modbus TCP Telemecanique Modicon Modbus Plus Telemecanique Modicon FIPWAY Telemecanique Modicon |
| Realtime clock | Built-in |
| Memory type | 1 slot for Compact Flash card (128 MB to 1 GB) |
| Integrated slot type | For 1 fieldbus communication card (Device Net, Profibus DP) |
| Port Ethernet | 10BASE-T/100BASE-TX |
| Product mounting | Flush mounting |
| Fixing mode | By 4 screw clamps By 4 spring clips |
| Front material | Aluminium alloy |
| Enclosure material | PPT |
| Marking | CE |
| Width | 270.5 mm |
| Height | 212.5 mm |
| Depth | 57 mm |
| Product weight | 2.5 kg |

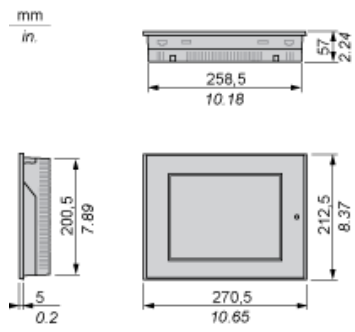
Environment

| | |
|---------------------------------------|---|
| Immunity to microbreaks | <= 10 ms |
| Standards | EN 61131-2 FCC Class A IEC 61000-6-2 UL 1604 UL 508 CSA C22.2 No 14 |
| Product certifications | ATEX zone 2/22 CSA Class 1 Division 2 T4A CSA Class 1 Division 2 T5 C-Tick CULus UL Class 1 Division 2 T4A UL Class 1 Division 2 T5 |
| Ambient air temperature for operation | 0...50 °C |
| Ambient air temperature for storage | -20...60 °C |
| Relative humidity | 10...90 % without condensation |
| Operating altitude | < 2000 m |
| IP degree of protection | IP65 (front panel) conforming to IEC 60529 IP20 (rear panel) conforming to IEC 60529 |
| NEMA degree of protection | NEMA 4X front panel (indoor use) |
| Shock resistance | 15 gn for 11 ms conforming to IEC 60068-2-27 |
| Vibration resistance | 3.5 mm conforming to IEC 60068-2-6 (f = 5...9 Hz) 1 gn conforming to IEC 60068-2-6 (f = 9...150 Hz) |
| Resistance to electromagnetic fields | 10 V/m conforming to IEC 61000-4-3 |
| Resistance to fast transients | 2 kV conforming to IEC 61000-4-4 level 3 |

Contractual warranty

| | |
|--------|-----------|
| Period | 18 months |
|--------|-----------|

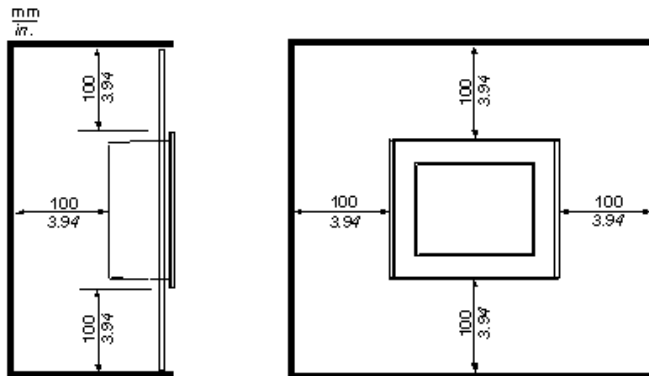
Dimensions



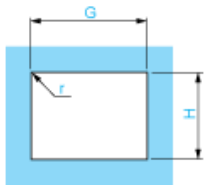
Clearance

Installation Requirements

For easier maintenance, operation and improved ventilation, be sure to install the unit at least 100 mm (3.94 in) away from adjacent structures and other equipment:



Panel Cut-out Dimensions



Dimensions in mm

| Graphic Display Terminal | Cut-out for Flush Mounting | | | |
|---|----------------------------|----------------|--------|-----------------|
| | H (-/+ 0.1 mm) | G (-/+ 0.1 mm) | r | Panel Thickness |
| XBTGT1105 XBTGT1135 XBTGT1335 | 92.5 | 118 | 3 max. | 1.6 ... 5 |
| XBTGT2110 XBTGT2120 XBTGT2130 XBTGT2220 XBTGT2330 | 123.5 | 156 | 3 max. | 1.6 ... 5 |
| XBTGT4230 XBTGT4330 XBTGT4340 | 159.5 | 204.5 | 3 max. | 1.6 ... 10 |
| XBTGT5230 XBTGT6330 XBTGT6340 | 227.5 | 301.5 | 3 max. | 1.6 ... 10 |
| XBTGT5330 XBTGT5340 | 201 | 259 | 3 max. | 1.6 ... 10 |
| XBTGT7340 | 282.5 | 383.5 | 3 max. | 1.6 ... 10 |

Dimensions in in.

| Graphic Display Terminal | Cut-out for Flush Mounting | | | |
|---|----------------------------|------------------|-----------|-----------------|
| | H (-/+0.004 in.) | G (-/+0.004 in.) | r | Panel Thickness |
| XBTGT1105 XBTGT1135 XBTGT1335 | 3.64 | 4.65 | 0.12 max. | 0.06 ... 0.20 |
| XBTGT2110 XBTGT2120 XBTGT2130 XBTGT2220 XBTGT2330 | 4.86 | 6.14 | 0.12 max. | 0.06 ... 0.20 |
| XBTGT4230 XBTGT4330 XBTGT4340 | 6.28 | 8.05 | 0.12 max. | 0.06 ... 0.39 |
| XBTGT5230 XBTGT6330 XBTGT6340 | 8.96 | 11.87 | 0.12 max. | 0.06 ... 0.39 |
| XBTGT5330 XBTGT5340 | 7.91 | 10.20 | 0.12 max. | 0.06 ... 0.39 |
| XBTGT7340 | 11.12 | 15.10 | 0.12 max. | 0.06 ... 0.39 |