

6

5

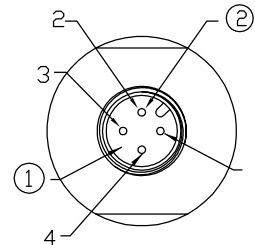
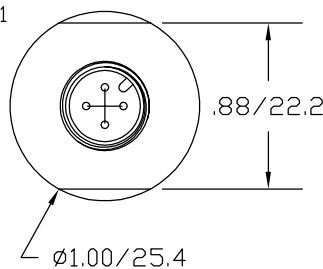
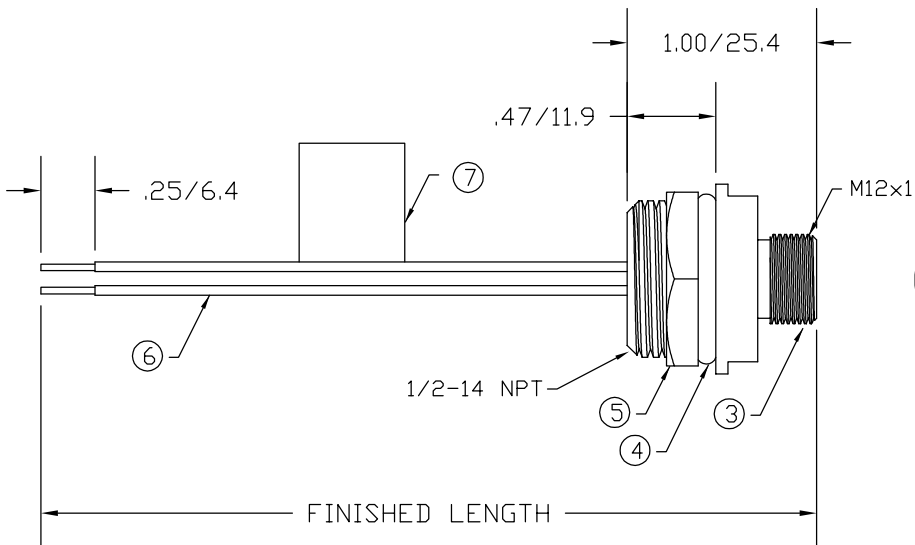
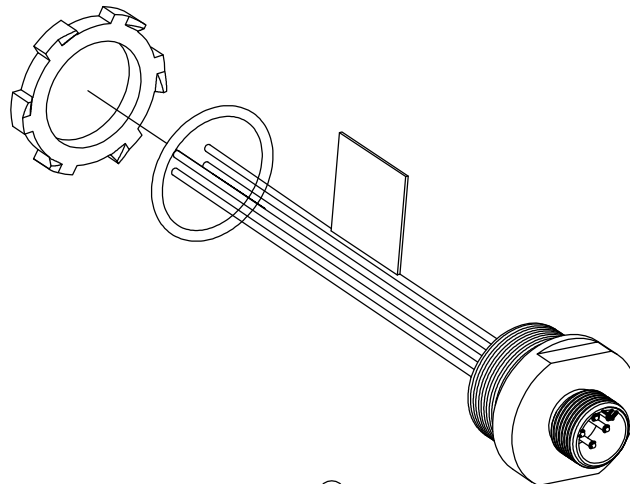
4

3

2

1

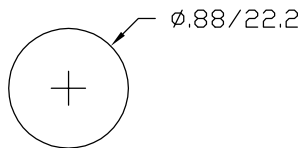
MATERIAL NUMBER	OLD PART NUMBER	FINISHED LENGTH
120070-0183	8R4006A18A060	6" +.75" -0 [.2M +19.1 -0]
120070-0184	8R4006A18A120	12" +.75" -0 [.3M +19.1 -0]



1	BROWN
2	WHITE
3	BLUE
4	BLACK

MALE FACE VIEW

WIRING DIAGRAM



TYPICAL KNOCKOUT HOLE

VOLTAGE RATING	250 VAC/VDC
AMPERAGE RATING	4 AMPS
PROTECTION	IP67
OPERATING TEMPERATURE	-20°C TO 80°C
UL CERTIFICATIONS	UL LISTED, FILE NO. E152210
CSA CERTIFICATIONS	CSA CERTIFIED, FILE NO. LR6837

ITEM	COMPONENT	MATERIAL	FINISH
1	INSERT	NYLON	BLACK
2	CONTACT PIN	COPPER ALLOY	GOLD OVER NICKEL
3	RECEPTACLE SHELL	ALUMINUM	BLACK ANODIZED
4	O-RING	NITRILE	BLACK
5	LOCKNUT	STEEL	ZINC PLATED
6	CONDUCTOR -22 AWG, 26 x #36 STRANDING, 300 VOLTS	PVC	SEE WIRING DIAGRAM
7	FLAG LABEL	VINYL	CLEAR/YELLOW

RLSD DRAWING	3/3/09
EC NO: WNA2009-0641	
DRWN: BWOODMAN	
CHKD: JM	
APPR: JFMURPHY	2009/04/08
REV	
A	

QUALITY SYMBOLS
▽=0
▽C=0

	GENERAL TOLERANCES (UNLESS SPECIFIED)	
	mm	INCH
4 PLACES	±.004	±.0015
3 PLACES	±.005	±.002
2 PLACES	±.0075	±.003
1 PLACE	±0.01	±.004
ANGULAR ±.5°		
DRAFT WHERE APPLICABLE MUST REMAIN WITHIN DIMENSIONS		

DIMENSION STYLE	IN/MM
SCALE	---
DESIGN UNITS	---
THIRD ANGLE PROJECTION	☉
DRAWN BY	BW
DATE	2009/03/31
CHECKED BY	VO
DATE	2009/03/31
APPROVED BY	---
DATE	---
MATERIAL NO.	SEE CHART
SIZE	A

TITLE	MICRO-CHANGE RECEPTACLE 4 POLE MALE 1/2-14 NPT	
MOLEX INCORPORATED		
DOCUMENT NO.	SD-120070-005	SHEET NO. 1 OF 1
THIS DRAWING CONTAINS INFORMATION THAT IS PROPRIETARY TO MOLEX INCORPORATED AND SHOULD NOT BE USED WITHOUT WRITTEN PERMISSION		

6

5

4

3

2

1