



Datasheet

RS PRO 3mtr 25 Way Male to 36 Way IEEE 1284 Centronics Printer Cable

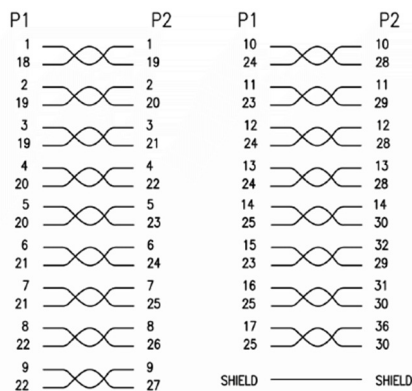
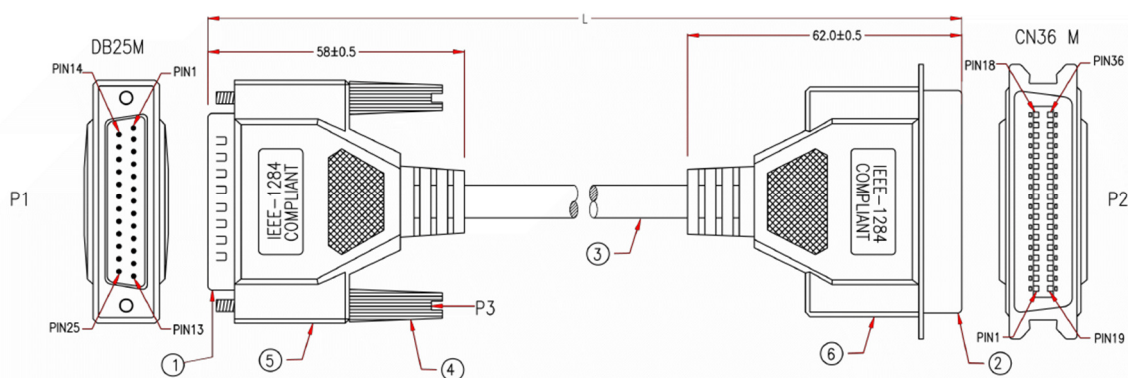
Stock number: 182-8804

EN

The RSPRO 3 metre 25 way male to 36 way male Centronics IEEE 1284 printer cable, commonly known as a parallel printer cable, which has a grey PVC jack and an outer diameter of 7.5mm. The connectors have a gold flash covering to prevent corrosion.

The connector hoods are also made of grey PVC with a strain relief to prevent the jacket splitting around the boot.

Older printers have parallel connections on them which has now been replaced with USB or wireless connections.



6	PVC BLACK TUBE $\varnothing 3.0 \times 32\text{mm}$	1	M304
	COPPER FOIL 33*130mm	1	M309
	MOLDED PE COLOR TRNSPARENT		TWN
	MOLDED PVC BEIGE		M304
5	PVC BLACK TUBE $\varnothing 3.0 \times 30\text{mm}$	1	M304
	COPPER FOIL 33*110mm	1	M309
	MOLDED PE COLOR TRANSPARENT		TWN
4	MOLDED THUMBSCREW #4-40, LENGTH 46.5mm, BEIGE	2	M95
3	UL20276 IEEE 1284 CABLE, 18 TWISTED PAIRS 28AWG, ALUM-MYLAR FOIL AND AMA BRAND(64%) SHIELDING WITH DRAIN WIRE, OD 7.5mm, JACKET BEIGE DRAWING No.EAAB2818P-231	L-20mm	M304
2	CN36 MALE, GOLD FLASH ON CONTACTS, BLUE INSULATOR	1	M83
1	DB25 MALE, GOLD FLASH ON CONTACTS, BLUE INSULATOR	1	M108

RoHS / REACH / CE