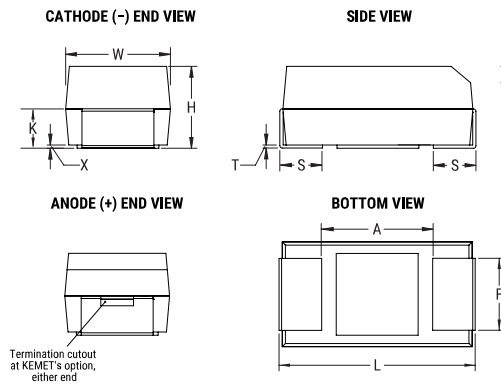


T545, Tantalum, Polymer Tantalum, 1,500 uF, 20%, 6.3 VDC, SMD, Polymer, Molded, Low Profile, HiEnergyDensity, 35 mOhms, 7360, Height Max = 2mm



General Information	
Supplier:	KEMET
Series:	T545
Dielectric:	Polymer Tantalum
Style:	SMD Chip
Description:	SMD, Polymer, Molded, Low Profile, HiEnergyDensity
Features:	Low ESR
RoHS:	Yes
Termination:	Tin
Miscellaneous:	Not recommended for new designs. Please use the T520 series instead.
MSL:	3

Dimensions	
Footprint	7360
L	7.3mm +/-0.3mm
W	6mm +/-0.3mm
H	1.9mm +/-0.1mm
T	0.13mm REF
S	1.3mm +/-0.3mm
F	4.1mm +/-0.1mm
A	3.3mm MIN
X	0.1mm +/-0.1mm

Specifications	
Capacitance:	1,500 uF
Capacitance Tolerance:	20%
Voltage DC:	6.3 VDC (85C)
Temperature Range:	-55/+85C
Rated Temperature:	85°C
Humidity:	60C, 90% RH, no load, 500 Hours
Dissipation Factor:	20.00% 120Hz 25C
Failure Rate:	N/A
Resistance:	35 mOhms (100kHz 25C)
Ripple Current:	2320 mA (100kHz 45C), 1624 mA (85C)
Leakage Current:	945 uA (5min 25C)

Packaging Specifications	
Weight:	366.62 mg
Packaging:	T&R, 178mm
Packaging Quantity:	1000