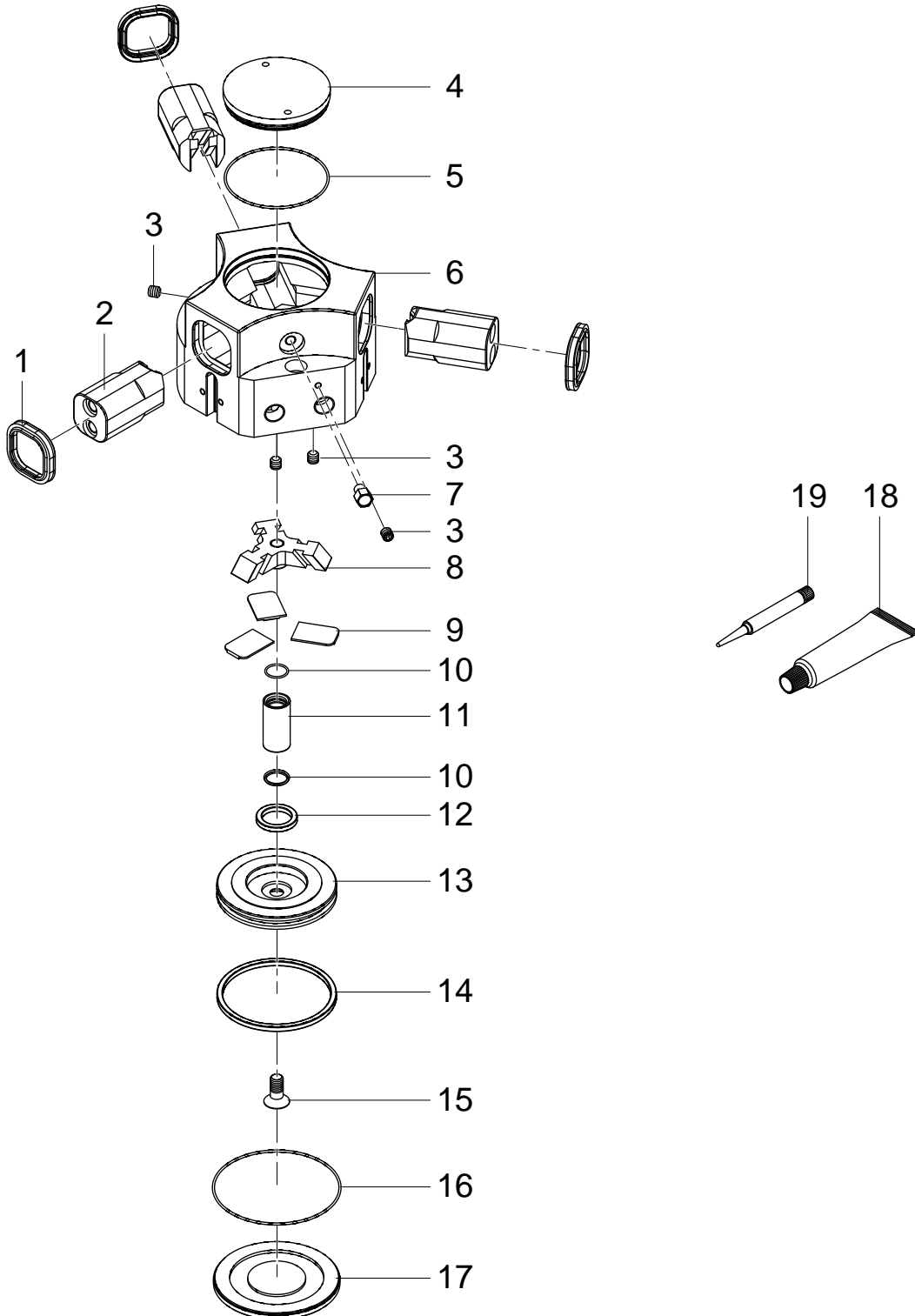


1163049 HGDD-80-A Three-point gripper - Series: All



## 1163049 HGDD-80-A Three-point gripper - Series: All

Pos.	Part no.	Type	Note	Qty.	Unit
A	1974940	HGDD-80-A Set of wearing parts	Spare parts: 1, 5, 7, 10, 12, 14, 15, 16, 18, 19	1	PC
1			Not available separately, see position A Grease using during assembly. See position 18	3	PC
2			Not available Grease using during assembly. See position 18	3	PC
3			Not available	4	PC
4			Not available	1	PC
5			Not available separately, see position A	1	PC
6			Not available	1	PC
7			Not available separately, see position A Lubricate with Molykote BR2 during assembly	1	PC
8			Not available Grease using during assembly. See position 18	1	PC
9			Not available Grease using during assembly. See position 18	3	PC
10			Not available separately, see position A Grease using during assembly. See position 18	2	PC
11			Not available	1	PC
12			Not available separately, see position A Grease using during assembly. See position 18	1	PC
13	2137517	HGDD-80-A Piston module		1	PC
14			Not available separately, see position A Grease using during assembly. See position 18	1	PC
15			Not available separately, see position A Use locking compound. See position 19	1	PC
16			Not available separately, see position A Grease using during assembly. See position 18	1	PC
17			Not available	1	PC
18	665354	LUB-KB1-SILIKONFREI-20ML Lubricating grease	Only for piston chamber!	1	PC
19	8181256	CYBERBOND TM44 TB1ML Adhesive bonding agent		1	PC