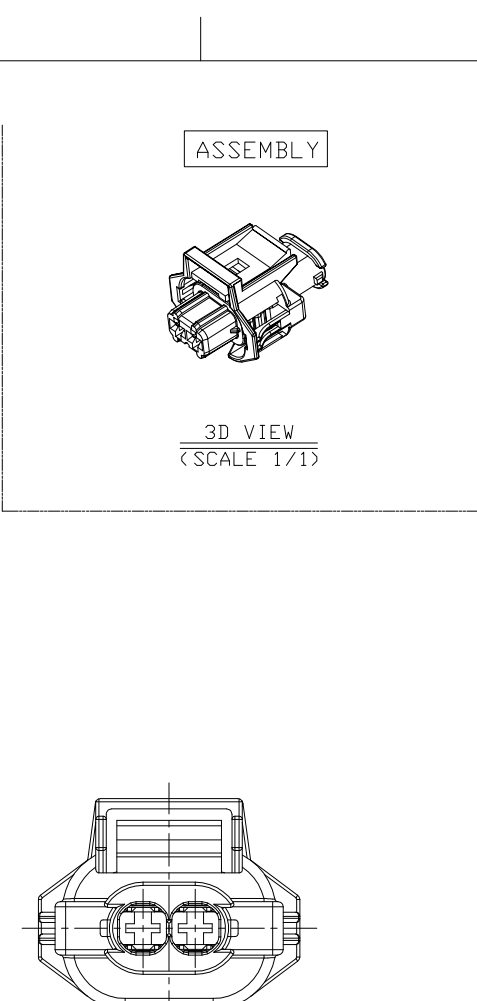
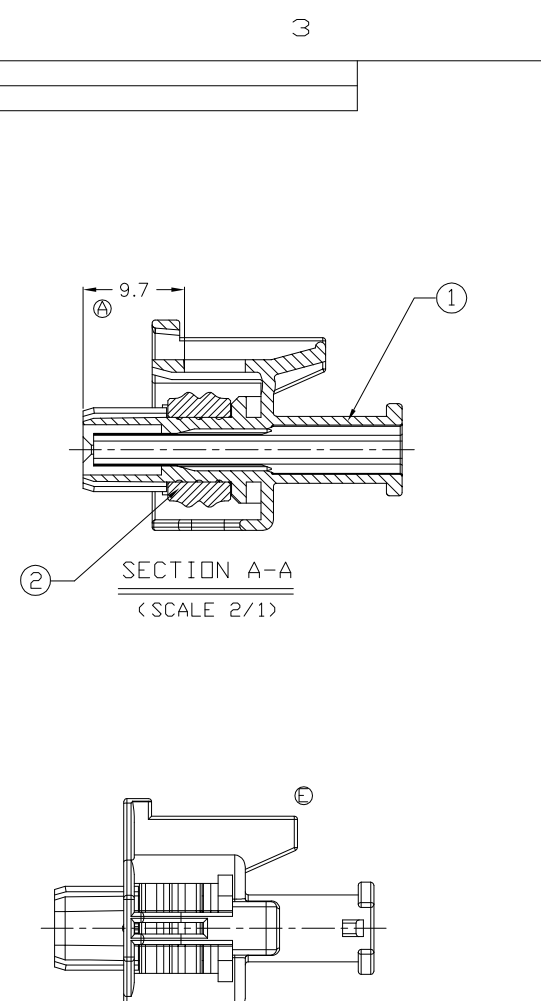
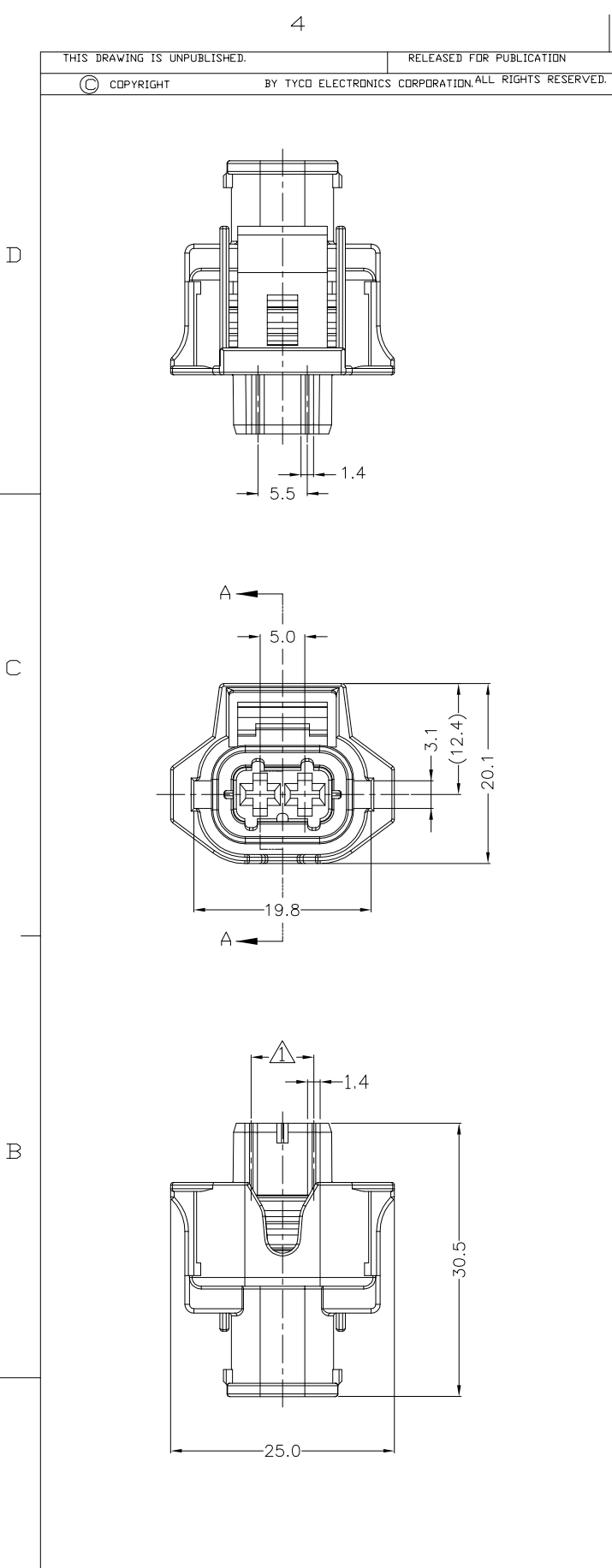
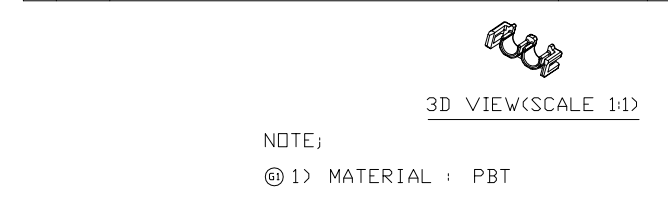
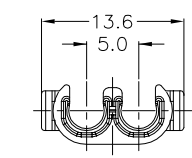
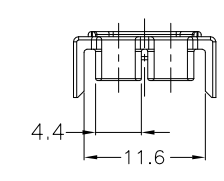


| REVISIONS | | | | | |
|-----------|-----|--------------------------|--------------|-----|------|
| P | LTR | DESCRIPTION | DATE | DWN | APVD |
| | D | REVISED< ECR-05-016169 > | 06, OCT, '05 | YD. | JK |
| | E | REVISED< ECR-06-022709 > | 30, JUN, '06 | IS | JK |
| | F | REVISED< ECR-07-000190 > | 04, JAN, '07 | IS | JK |
| | F1 | REVISED< ECR-11-008995 > | 28, APR, '11 | YM | HG |
| | G | REVISED< ECR-12-013083 > | 18, JUN, '12 | JM | HG |
| | G1 | REVISED< ECR-14-014192 > | 29, SEP, '14 | JM | HG |



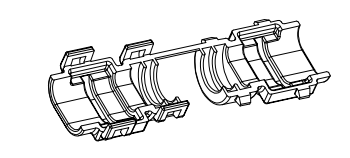
ACCESSORIES DRAWING
 ① 1. DBL HSG : P/N:936103
 SCALE : 2/1



NOTE;
 ①) MATERIAL : PBT

② 2. COVER HSG : P/N:936111
 SCALE : 2/1

NOTE;
 ①) MATERIAL : NYLON 66
 2) CORRUGATOR DIAMETER : $\phi 7.0$



3D VIEW<SCALE 1:1>

4. APPLIED RECEPTACLE CONTACT P/N:

| DESCRIPTION | 2.8mm SENSOR-FLAT RECEPTACLE | |
|-----------------------------|------------------------------|------------|
| Part NO. | 967542 | 967543 |
| WIRE SIZE(mm ²) | 0.5 ~ 1.0 | 1.25 ~ 2.5 |

5. APPLIED WIRE SEAL P/N:

| DESCRIPTION | SINGLE-WIRE SEAL(5mm Hole) | |
|---------------------|----------------------------|-------------|
| Part NO. | 828904 | 828905 |
| INSULATION DIA. (φ) | 1.2 ~ 2.1mm | 2.2 ~ 3.0mm |

(TABLE 1)

| CODE I : 0-936059-1 | CODE II : 1-936059-1 CODE II : 1-936059-3 |
|-----------------------|--|
| | |
| CODE III : 2-936059-1 | CODE IV : T. B. D |
| | |

| ① | ② | ③ | ④ | ⑤ | ⑥ | ⑦ | ⑧ | ⑨ | ⑩ | |
|-------|---|-------|---|----------|---|------------------|--------------|------------|------------|----|
| 1 | 1 | 1 | 1 | | | SIGNAL GRAY | SILICON<LSR> | INNER SEAL | 936800-3 | 2 |
| | | | 1 | | | ULTRAMARINE BLUE | SILICON | INNER SEAL | 936800-2 | 2 |
| | | | | 1 | | RED ORANGE | SILICON | INNER SEAL | 936800-1 | 2 |
| | 1 | | | | | BLACK | PA 66 GF15 | PLUG HSG | 3-936102-1 | 1 |
| | | 1 | | | | BLACK | PA 66 GF15 | PLUG HSG | 2-936102-1 | 1 |
| | | | 1 | | | DARK GRAY | PA 66 GF15 | PLUG HSG | 1-936102-3 | 1 |
| | | | | 1 | | BLACK | PA 66 GF15 | PLUG HSG | 1-936102-1 | 1 |
| | | | | 1 | 1 | BLACK | PA 66 GF15 | PLUG HSG | 936102-1 | 1 |
| Q' TY | | COLOR | | MATERIAL | | DESCRIPTION | | P/N | | NO |

| ASSEMBLY P/N | DIMENSIONS: MM | | TOLERANCES UNLESS OTHERWISE SPECIFIED: | | FINISH | | MATERIAL | |
|--------------|----------------|------------|--|------------|----------|----------|-----------|-----|
| | 3-936059-1 | 2-936059-1 | 1-936059-3 | 1-936059-1 | 936059-2 | 936059-1 | SEE TABLE | --- |

| | | | |
|------------------|--|---------------|--|
| DWN : JM JEON | | CHK : JW JUNG | |
| APVD : HG CHO | | PRODUCT SPEC | |
| APPLICATION SPEC | | 114-18144 | |
| WEIGHT | | A200779 | |
| CUSTOMER DRAWING | | SCALE 2/1 | |

| | | | |
|--------------|-----------|---|---------------|
| NAME | | 2.8mm SEALED 2P PLUG ASSEMBLY (FLAT SENSOR CONNECTOR) | |
| SIZE | CAGE CODE | DRAWING NO | RESTRICTED TO |
| A2 | 00779 | 936059 | |
| SHEET 1 OF 1 | | REV G1 | |

NOTE;
 ① CODING IS AS FOLLOWS; SEE TABLE 1.
 2. 0.15 MAX. WARPAGE AND 0.2 MAX. FLASH ARE PERMISSIBLE
 3. SURFACE DEFECTS ARE NOT ACCEPTABLE AS FOLLOWS: SINK, WELD LINES, HAIRCRACKS, STAINS & SCORES