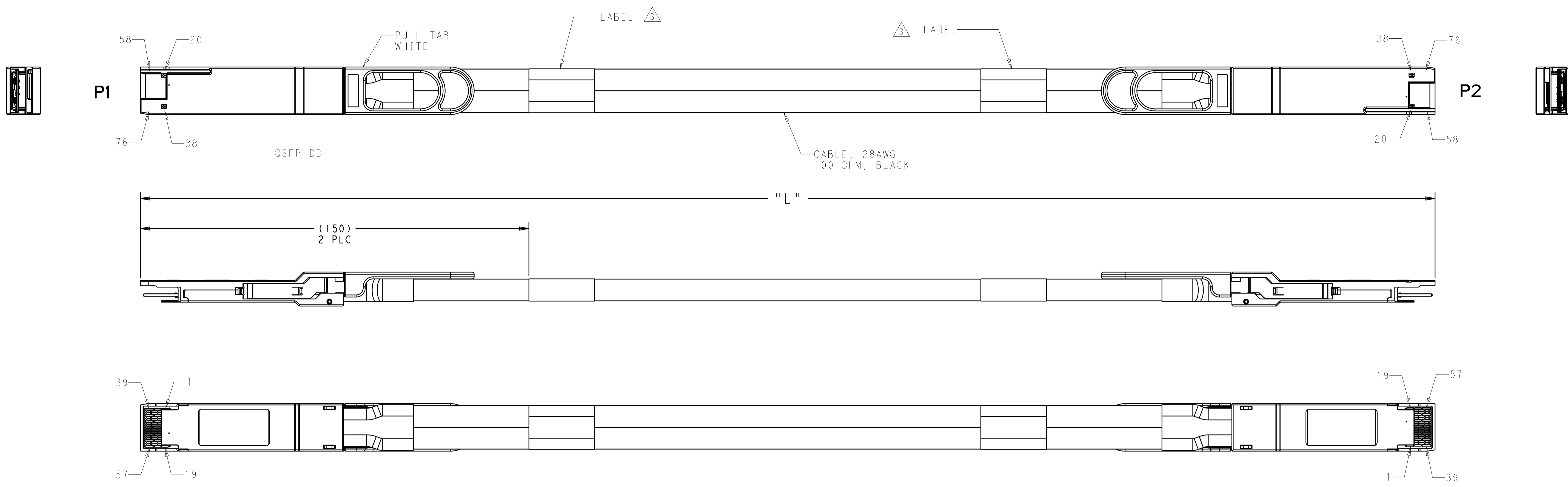
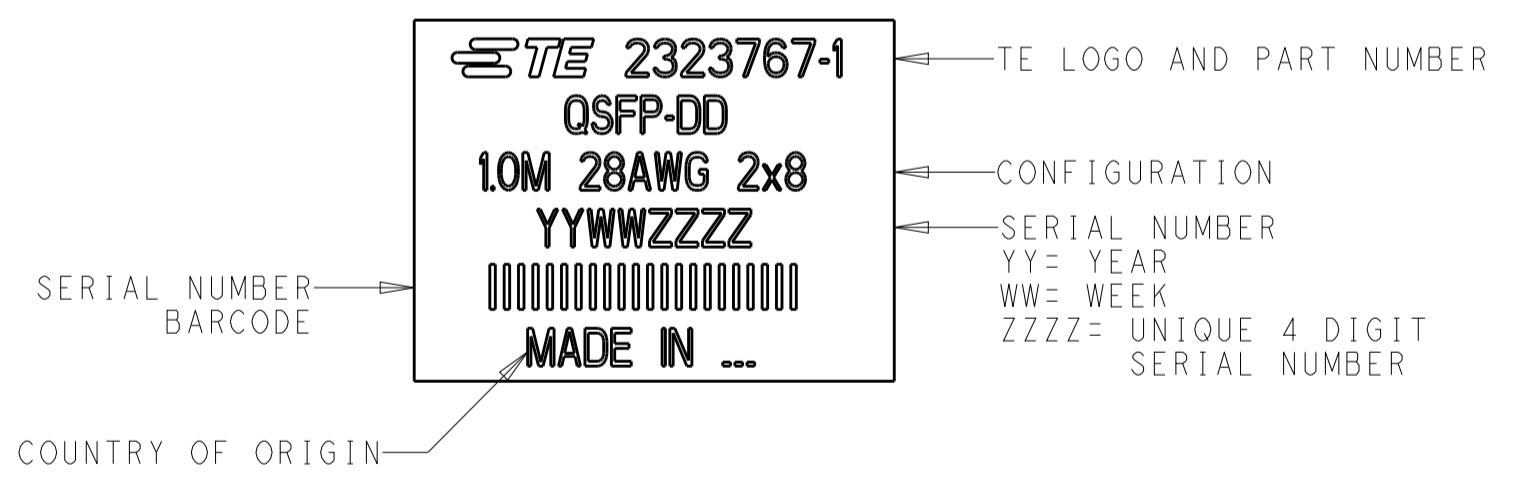


REVISIONS				
P.	LTN.	DESCRIPTION	DATE	APVD.
		SEE LAST SHEET		



- SEE SHEET 2 FOR WIRING SCHEMATIC.
- ALL MATERIALS, COMPONENTS AND PROCESSES SHALL COMPLY WITH TEC-138-702. (CONTAINS NO BANNED OR RESTRICTED SUBSTANCES).

△ LABEL INFORMATION: -1 SHOWN.



- THIS LENGTH DOES NOT MEET IEEE802.3cd SPECIFICATION (56G PAM-4) BUT DOES MEET IEEE802.3bj SPECIFICATION (28G NRZ).
- NO REACH SvHC SHALL BE CONTAINED ABOVE THE THRESHOLD AS DEFINED IN REACH SvHC COMPLIANCE DEFINITION IN ANNEX A OF TEC-138-702.
- CABLE ASSEMBLY 100% TESTED FOR OPENS, SHORTS AND PROPER EEPROM PROGRAM.
- THIS LENGTH DOES NOT MEET IEEE802.3cd SPECIFICATION (56G PAM-4) AND IEEE802.3bj SPECIFICATION (28G NRZ).

△	2.8M 28AWG 2X8	2800±30	2323767-8
△	3.5M 28AWG 2X8	3500±30	2323767-7
	0.5M 28AWG 2x8	500±20	2323767-6
△	3.0M 28AWG 2x8	3000±30	2323767-5
	2.5M 28AWG 2x8	2500±30	2323767-4
	2.0M 28AWG 2x8	2000±30	2323767-3
	1.5M 28AWG 2x8	1500±25	2323767-2
	1.0M 28AWG 2x8	1000±20	2323767-1
	CONFIGURATION	"L"	PART NO

**PRELIMINARY  
NOT RELEASED FOR PRODUCTION**

THIS DRAWING IS A CONTROLLED DOCUMENT.		DWN: T. SMITH 16OCT2017 CHK: K. STAUFFER 16OCT2017 APVD: -	<b>STE</b> TE Connectivity	
DIMENSIONS:	TOLERANCES UNLESS OTHERWISE SPECIFIED:	PRODUCT SPEC	NAME: CABLE ASSY, 28 AWG QSFP-DD	
mm	0 PLC ± 1 PLC ± 2 PLC ± 3 PLC ± 4 PLC ± ANGLES ±	APPLICATION SPEC	SIZE	CAGE CODE DRAWING NO
MATERIAL	FINISH	WEIGHT	A1	00779C=2323767
		CUSTOMER DRAWING	SCALE	1:2 SHEET 1 OF 3 REV 8

THIS DRAWING IS UNPUBLISHED. RELEASED FOR PUBLICATION  
 © COPYRIGHT copyright\_d8te- ALL RIGHTS RESERVED.


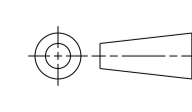
REVISIONS				
P.	LTN	DESCRIPTION	DATE	APVD
		SEE SHEET 1		

P1			P2	
GND	1		20	GND
TX2-	<b>2</b>	↔	<b>21</b>	RX2-
TX2+	<b>3</b>	↔	<b>22</b>	RX2+
GND	4		23	GND
TX4-	<b>5</b>	↔	<b>24</b>	RX4-
TX4+	<b>6</b>	↔	<b>25</b>	RX4+
GND	7		26	GND
ModseIL	8		27	ModPrsL
ResetL	9		28	intL
VccRx	10		29	VccTx
SCL	11		30	Vcc1
SDA	12		31	InitMode
GND	13		32	GND
RX3+	<b>14</b>	↔	<b>33</b>	TX3+
RX3-	<b>15</b>	↔	<b>34</b>	TX3-
GND	16		35	GND
RX1+	<b>17</b>	↔	<b>36</b>	TX1+
RX1-	<b>18</b>	↔	<b>37</b>	TX1-
GND	19		38	GND

GND	20		1	GND
RX2-	<b>21</b>	↔	<b>2</b>	TX2-
RX2+	<b>22</b>	↔	<b>3</b>	TX2+
GND	23		4	GND
RX4-	<b>24</b>	↔	<b>5</b>	TX4-
RX4+	<b>25</b>	↔	<b>6</b>	TX4+
GND	26		7	GND
ModPrsL	27		8	ModseIL
intL	28		9	ResetL
VccTx	29		10	VccRx
Vcc1	30		11	SCL
InitMode	31		12	SDA
GND	32		13	GND
TX3+	<b>33</b>	↔	<b>14</b>	RX3+
TX3-	<b>34</b>	↔	<b>15</b>	RX3-
GND	35		16	GND
TX1+	<b>36</b>	↔	<b>17</b>	RX1+
TX1-	<b>37</b>	↔	<b>18</b>	RX1-
GND	38		19	GND

P1			P2	
GND	39		58	GND
TX6-	<b>40</b>	↔	<b>59</b>	RX6-
TX6+	<b>41</b>	↔	<b>60</b>	RX6+
GND	42		61	GND
TX8-	<b>43</b>	↔	<b>62</b>	RX8-
TX8+	<b>44</b>	↔	<b>63</b>	RX8+
GND	45		64	GND
Reserved	46		65	NC
VS1	47		66	Reserved
VccRx1	48		67	VccTx1
VS2	49		68	Vcc2
VS3	50		69	Reserved
GND	51		70	GND
RX7+	<b>52</b>	↔	<b>71</b>	TX7+
RX7-	<b>53</b>	↔	<b>72</b>	TX7-
GND	54		73	GND
RX5+	<b>55</b>	↔	<b>74</b>	TX5+
RX5-	<b>56</b>	↔	<b>75</b>	TX5-
GND	57		76	GND

GND	58		39	GND
RX6-	<b>59</b>	↔	<b>40</b>	TX6-
RX6+	<b>60</b>	↔	<b>41</b>	TX6+
GND	61		42	GND
RX8-	<b>62</b>	↔	<b>43</b>	TX8-
RX8+	<b>63</b>	↔	<b>44</b>	TX8+
GND	64		45	GND
NC	65		46	Reserved
Reserved	66		47	VS1
VccTx1	67		48	VccRx1
Vcc2	68		49	VS2
Reserved	69		50	VS3
GND	70		51	GND
TX7+	<b>71</b>	↔	<b>52</b>	RX7+
TX7-	<b>72</b>	↔	<b>53</b>	RX7-
GND	73		54	GND
TX5+	<b>74</b>	↔	<b>55</b>	RX5+
TX5-	<b>75</b>	↔	<b>56</b>	RX5-
GND	76		57	GND

THIS DRAWING IS A CONTROLLED DOCUMENT.		DWN T. SMITH 16OCT2017 CHK K. STAUFFER 16OCT2017 APVD -	 TE Connectivity	
DIMENSIONS: mm 	TOLERANCES UNLESS OTHERWISE SPECIFIED: 0 PLC ± 1 PLC ± 2 PLC ± 3 PLC ± 4 PLC ± ANGLES ±	PRODUCT SPEC APPLICATION SPEC WEIGHT CUSTOMER DRAWING	NAME CABLE ASSY, 28 AWG QSFP-DD	SIZE CAGE CODE DRAWING NO A100779C=2323767
RESTRICTED TO			SCALE 1:2	SHEET 2 OF 3
			REV 8	

REVISIONS				
P. LTH	DESCRIPTION	DATE	DWN	APVD
	SEE SHEET 1			

2323767_C				STOCK DISPOSITION				
DRAWING TITLE				A: CONTINUE AS IS	D: USE OLD FIRST			
REVISION HISTORY				B: REWORK	E: PARTS TO CONFORM			
				C: SCRAP	F: OTHER			
DATE	REV	CHANGES	REASON	APPROVAL	INVENTORY (A,B,C,D,E,F)	WORK IN PROCESS (A,B,C,F)	SUPPLIER ORDERS (A,E,F)	OPEN CUST ORDERS (A,E,F)
16OCT2017	1	INITIAL DRAWING	PRELIMINARY	TS/KS	-	-	-	-
18OCT2017	2	ADDED NOTE 4	DRAWING CLARIFICATION	TS/KS				
23OCT2017	3	CHANGE LABEL TO REFLECT 1.0M LENGTH.	TYPO	KS/TS	E	E	E	E
07AUG2018	4	REVISED LENGTH TOLERANCE, ADDED ADDITIONAL LABEL	DRAWING CLARIFICATION	TS/KS	E	B	E	E
31DEC2018	5	UPDATE ODD PULL TAB, UPDATE BACK SHELL PER MSA4.0	DESIGN CHANGE	NN	E	E	E	E
30JAN2019	6	REMOVE THE LABEL OF THE SHELL	DESIGN UPDATE	NN	E	B	B	B
11FEB2019	7	ADD DASH NUMBER -7 FOR 3.5M LENGTH	DESIGN UPDATE	NN	E	B	B	B
20MAR2019	8	ADD DASH NUMBER -8 FOR 2.8M LENGTH	DESIGN UPDATE	FZ	E	B	B	B

THIS DRAWING IS A CONTROLLED DOCUMENT.		DWN T. SMITH 16OCT2017	TE Connectivity	
DIMENSIONS:		CHK K. STAUFFER 16OCT2017	NAME CABLE ASSY, 28 AWG QSFP-DD	
TOLERANCES UNLESS OTHERWISE SPECIFIED:		APVD	PRODUCT SPEC	
mm			APPLICATION SPEC	
0 PLC ±			SIZE CAGE CODE DRAWING NO	
1 PLC ±			A 100779 C=2323767	
2 PLC ±			RESTRICTED TO	
3 PLC ±			CUSTOMER DRAWING	
4 PLC ±			SCALE 1:2 SHEET 3 OF 3 REV 8	
ANGLES ±				
FINISH				
MATERIAL				