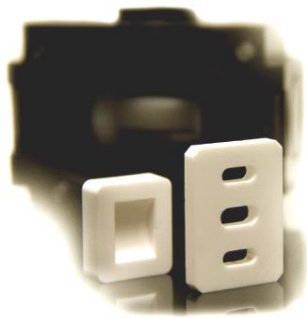




Test report included!
Prüfbericht inklusive!



Maintenance Free
Ceramic Air-Valve Parts

Wartungsfrei
Lüftungsventilteile aus Keramik

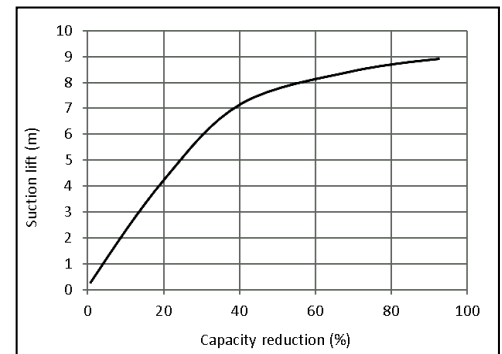
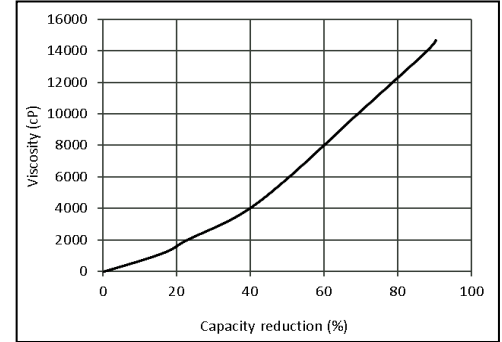
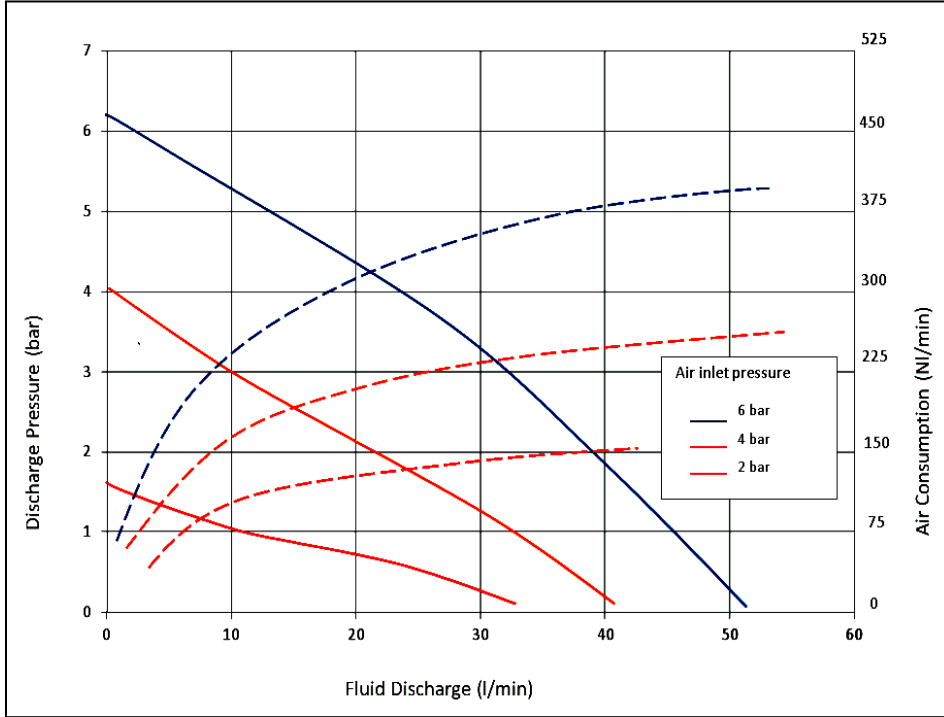
- Capacity 1 - 50 l/min
- 1/2" connection in several positions
- High suction lift (8 Mtr)
- Standard equipped with Santoprene diaphragms & valves
- Ceramic air-valve system (lubefree)
- Suitable for high Viscosity liquids
- Low noise (72 dBA)
- Pump body: Alu. (Komaxit coated)
- Suitable for abrasive liquids
- Low air-consumption !
- Dry running capability
- Low maintenance and parts costs
- Bolted (SST) leakage free design
- No Air leakage at liquid stop
- Made in EU

- Kapazität 1 - 50 l/min
- Variable 1/2" Anschlüsse
- Hohe Saugleistung (8 Mtr)
- Standardmässig mit Santoprene Membranen und Ventilen ausgestattet
- Keramik-Luft-Ventilsystem (fettfrei)
- Geeignet für hochviskose Medien
- Äusserst leise (72 dBA)
- Pumpengehäuse: Alu.(Komaxit beschichtet)
- Beständig gegen abrasive Flüssigkeiten
- Geringer Luftverbrauch
- Trockenlauf geeignet
- Niedrige Wartungs- und Ersatzteilkosten
- Bolzen (SST) leckagefreie Ausführung
- Bei Betriebsstopp kein Druckluftverlust
- Made in EU

APPLICATIONS

CHEMICALS • SOLVENTS • PLATING • ACIDS • OILS • INKS • GLUES • ALKALIES • ENAMEL
POLYESTER PAINT • WASTE WATER • COOLING LIQUIDS • FOAMS • HYDRAULIC OILS

Flowchart 1/2" Series / Flussdiagramm 1/2" Series

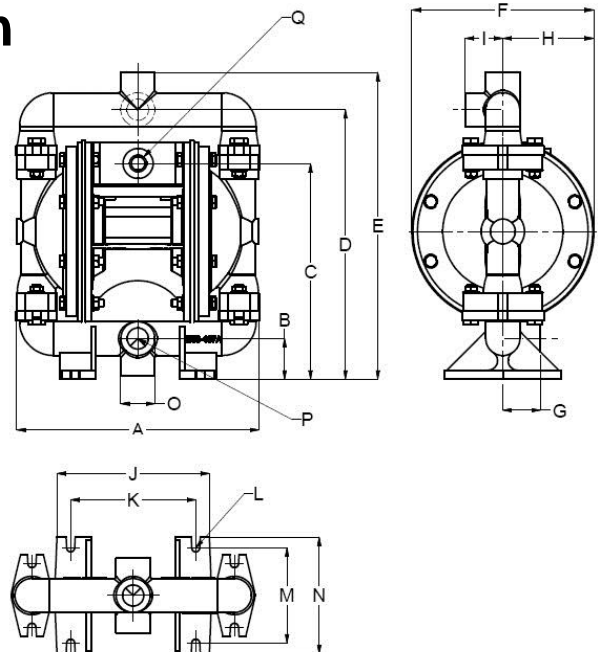


Available types - Verfügbare Typen

| Type | liquid wetted parts - lüssigkeitsberührte Teile |
|-------------|---|
| TEP50-AX-D | Alu / Santoprene |
| TEP50-ANB-D | Alu / NBR |
| TEP50-ATW-D | Alu / PTFE |

Air-motor made from Pro-opiomelanocortin (POMC)

- A** = Aluminium body
- X** = Santoprene diaphragms & valve balls
- NB** = NBR diaphragms & valve balls
- TW** = Teflon vulcanised diaphragms & teflon valve balls
- D** = Domed shaped diaphragms (extended lifetime!!)



| | | | | | |
|----------|--------|----------|--------|----------|-------------|
| A | 213 mm | G | 33 mm | M | 84 |
| B | 36 mm | H | 80 mm | N | 103 |
| C | 191 mm | I | 33 mm | O | 30 |
| D | 238 mm | J | 134 mm | P | 1/2" female |
| E | 271 mm | K | 110 mm | | |
| F | 160 mm | L | 7 mm | | |