



ENGLISH

Datasheet

Stock No: 186-3098

# RS Pro RJ45 Adapter, 2 Port



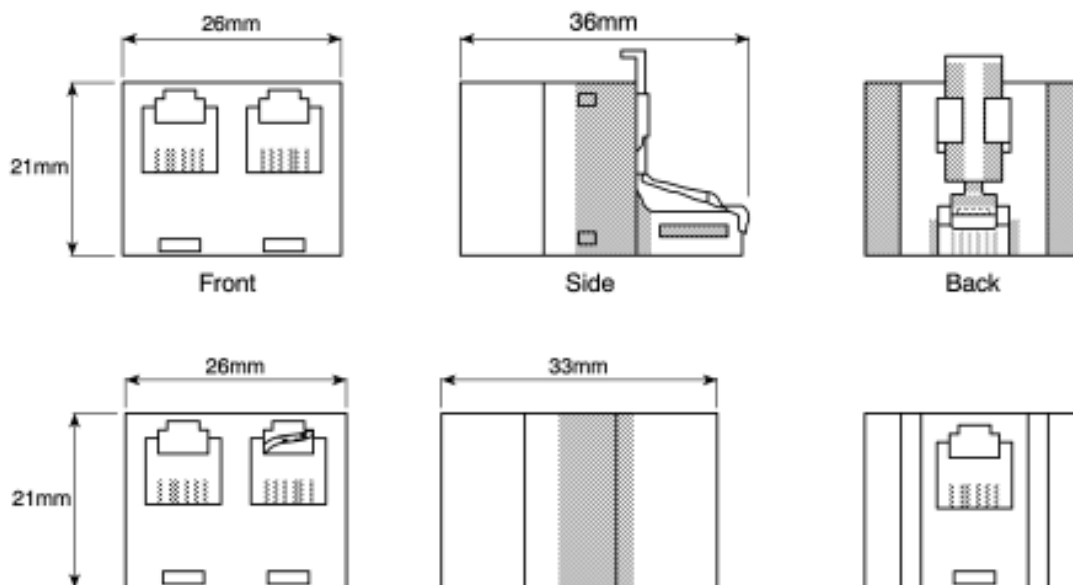
## Product Details:

### RJ11, RJ45 3 Way Socket Adaptor

Two types of socket adaptors allowing combinations of RJ11 and RJ45 plugs and sockets to be doubled up or joined together.

## Specifications:

Type:	Adapter
Interface Type:	RJ45
Number of Ports:	2
Wiring Configuration:	Straight Through
Length:	21mm
Width:	26mm
Depth:	36mm



### Technical information

Body material:	ABS Resin UL94 V-0
Colour:	Cream
Contacts:	Phosphor Bronze
Contact plating:	Gold over Nickel