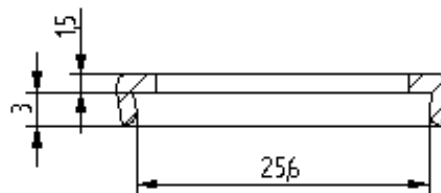
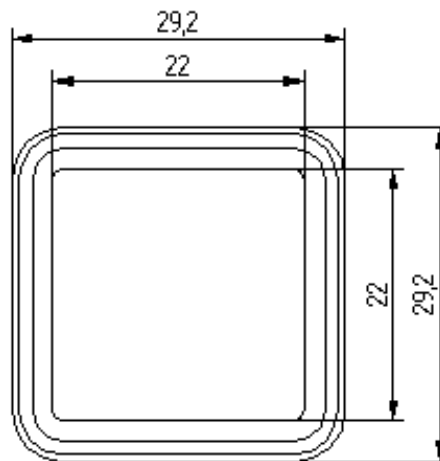
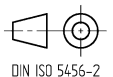


RoHS ✓



The information/details in this datasheet merely contain general descriptions or performance factors which, when applied in an actual situation, do not always correspond with the described form, and may be amended by way of the further development of products. The desired performance factors shall only be binding if these are expressly agreed on conclusion of the contract.



Product description

Description	gasket
Type	GDM 3-16
Order No	731-531-... ; see standard products

Materials

Gasket(s)	NBR, black 65±5 IRHD
-----------	-------------------------

Resistances

Gasket	Oil HM22 acc. to EN ISO 6743-4 not resistant to ozone
--------	--

Environmental conditions

Temperature range	-30°C to +90°C
-------------------	----------------

product overview

Article-No.	Type	Packaging unit
731-531-002	Dichtung GDM 3-16 NBR-SW VE 50	50
731-531-004	Dichtung GDM 3-16 NBR-SW VE 5000	5000