

# Quick-Mini

## SERIES 700

A compact comparator designed for carrying convenience, it is very suited for quick inspection of paper thickness, leather, wires, plastic parts, etc. The digital display provides error-free reading with 0.01mm / .0005" resolution.

### FEATURES

- Measuring force less than 2N.
- Supplied in fitted plastic case.



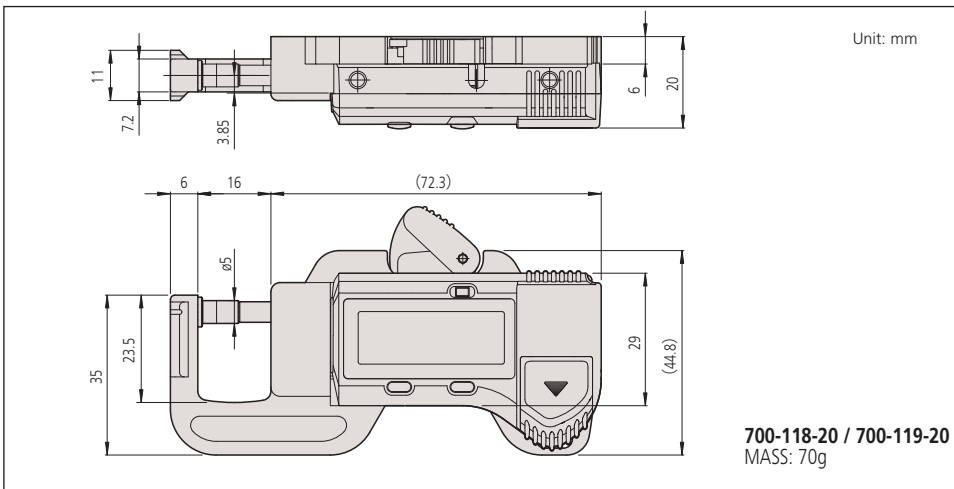
700-118-20

### SPECIFICATIONS

Metric		
Range	Order No.	Accuracy
0 - 12mm	700-119-20	±0.02mm

Inch/Metric		
Range	Order No.	Accuracy
0 - .5"/0 - 12.7mm	700-118-20	±.001"

### DIMENSIONS AND MASS



### Technical Data

Accuracy: Refer to the list of specifications.  
 Resolution: 0.01mm or .0005"/0.01mm  
 Display: LCD  
 Battery: SR44 (1 pc.), **938882**  
 Battery life: Approx. 2 years under normal use

### Function

Zero-setting, Data hold, Power ON/OFF, inch/mm conversion (on inch/metric models only)

