

## PCB cover for euroboards



Part no.: 61000-007

**Features:**

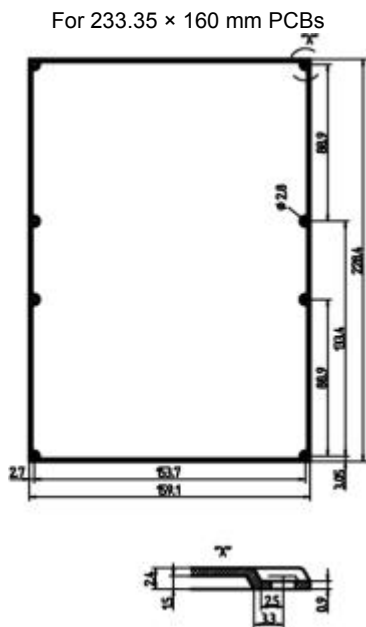
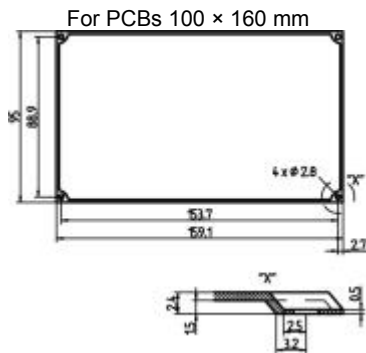
- Mechanical protection of the solder side

Standard pack quantity 10



**Technical Information:**

Description	Qty
PCB cover for euroboards (100 x 160 mm), PBT, UL 94 V-0, black	1 piece (SPQ 10)



**Accessories:**

Part no.	Description	
<b>21102-007</b>	Slotted flathead screw M2.5 × 6, height of head 1.2 mm, PU 100 pieces	
<b>21102-008</b>	Slotted flathead screw M2.5 × 12, height of head 1.2 mm, PU 100 pieces	

Product illustrations are exemplary illustrations and can deviate from supplied products.