

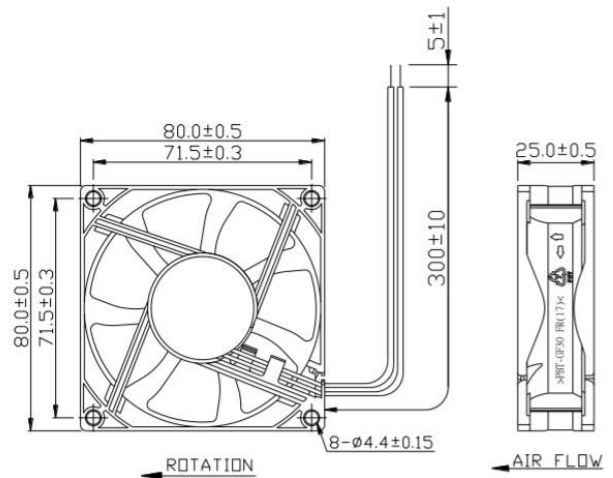


Datasheet

RS PRO DC FAN 80x25mm

Stock Number: 541-5306

EN



Frame	PBT UL94 V-0 Plastic	<p><u>Operating Temperature</u> -20°C ~ +75°C</p> <p><u>Storage Temperature</u> -40°C ~ +80°C</p> <p><u>Life Expectancy</u> 65,000 hours (L10 at 45°C)</p> <p>Weight: 0.086Kgs (0.19 lbs)</p>	<p>Static Pressure ("H₂O)</p> <p>Airflow (CFM)</p>
Impeller	PBT UL94 V-0 Plastic		
Connection	2x Wire Leads, 24 AWG		
Motor	Brushless DC, Auto Cutoff, Auto Restart, Polarity Protected		
Bearing System	Dual Ball Bearings		
Dielectric Strength	500VAC/min < 1mA		
Insulation Resistance	10M ohm between leadwire and frame (500VDC)		

Model Number	541-5306
Rated Voltage	24 VDC
Input Power	1.44 W
Rated Current	0.10 A
Rated Speed (RPM)	3100
Airflow (CFM)	40
Noise Level (dB)	35
Max. Static Pressure	0.16" H ₂ O