

ABOUT YOUR SPEAKERS



Thank you for purchasing Labtec's LCS-3210 transmission line speakers with Spatializer 3D sound technology.

The LCS-3210 uses transmission line technology and Spatializer 3D sound to provide outstanding fidelity for any multimedia system. It surrounds you with sound using just two speakers! The control speaker includes a 22-watt RMS stereo amplifier and a subwoofer-ready master volume control. The LCS-3210 allows you to control the volume for both main speakers as well as an optional subwoofer from a single control.

Your speakers can be used with sound cards, CD-ROM players or laserdisc players. A built-in headphone jack and a microphone convenience jack offer other ways to use and enjoy your system.

SAFETY FIRST

Please follow these safety precautions before operating your LCS-3210 speakers:

- Use only the AC/DC power adapter specifically designed for the LCS-3210. Labtec cannot be held responsible for damage caused by other power adapters.
- Do not place the speakers near heat sources such as stoves, radiators, heat registers and any appliances that generate heat.
- Do not put the speakers in a place where they might get wet. Water could cause electrical shock or an electrical fire.
- Keep these safety and operating instructions in a safe place for future reference.

CONNECTING THE SPEAKERS TO YOUR SOUND SOURCE

You can connect the LCS-3210 speakers to your computer or other sound source quickly and easily:

1. Place the two speakers upright on either side of your computer, or in the desired location. Because the speakers are about the same dimensions as a piece of paper, they fit easily on a bookshelf or any desk location that will accommodate a 3-ring binder.
2. Turn the power button on the right speaker to OFF, and turn the volume all the way counter-clockwise.
3. Use one of the cables provided to connect the speakers to each other. Plug one end of the cable into the jack labeled "left output" on the back of the right speaker. Plug the other end into the jack labeled "stereo input" on the back of the left speaker.
4. **If you are connecting your speakers to a computer sound card**, plug one end of the other cable provided into the output jack on the sound card (usually at the back of your computer). Plug the other end of the cable into the jack labeled "stereo input" on the back of the right speakers. If you are not sure where to find the output jack of your sound card, check the instructions for your sound card or computer system.

If you are connecting your speakers to a sound source that uses two RCA jacks, use the enclosed adapter to convert those jacks to a single 3.5mm mini-stereo jack. Then plug one end of the cable into the converted jack and the other into the "stereo input" jack on the back of the right speaker.

5. Plug the AC adapter into an AC outlet or your surge protector.
6. Plug the other end of the AC adapter into the jack labeled "15V Power Input" on the back of the right speaker.

USING YOUR SPEAKERS

1. Double check your connections before you turn on the system.
2. Turn the power button on the right speaker to ON. You should hear a little thump as the speakers come on.
3. Activate sound through your system from a game or other multimedia source.
4. Adjust the volume as desired.

YOU SHOULD KNOW ABOUT ...

Three volume controls! A multimedia system provides two or three places to adjust the volume: On the speaker, on the back of some brands of sound cards and in some sound card programs or software games. The volume controls on the speaker are the most convenient and provide the same control as the sound card or software.

Balancing the sound. To balance the system, set the sound card volume on the back of the computer to mid-position. Then set the volume in the software program (i.e., the sound blaster "Mixer") at 3/4 of full volume (save setting). Now turn your speaker volume to a comfortable level. Almost any combination of the three volume controls will work, but the best combination will minimize noise and interference.

Spatializer 3D Sound. Spatializer 3D sound surrounds the listener with sound using just two speakers. To experience this amazing sound, push the spatializer button. You will now hear sound from all around you – even areas that seem outside the speakers' boundaries.

Tone controls. You can set the volume controls according to your preference. Typically, for the low volume levels normally used with a computer, elevating the bass and treble controls to the 2 or 3 o'clock position produces the best and clearest sound. However, room acoustics and volume levels affect your hearing – so experiment! That's what the tone controls are for.

Headphone jack. You can plug headphones into your speakers for private listening. Use the headphone jack on the back of the right speaker. This will keep the sound from emanating from the speakers. Be sure to disconnect the headphones when you are not using them.

Microphone jack. You can plug a microphone into the designated jack on the right speaker system to amplify sound.

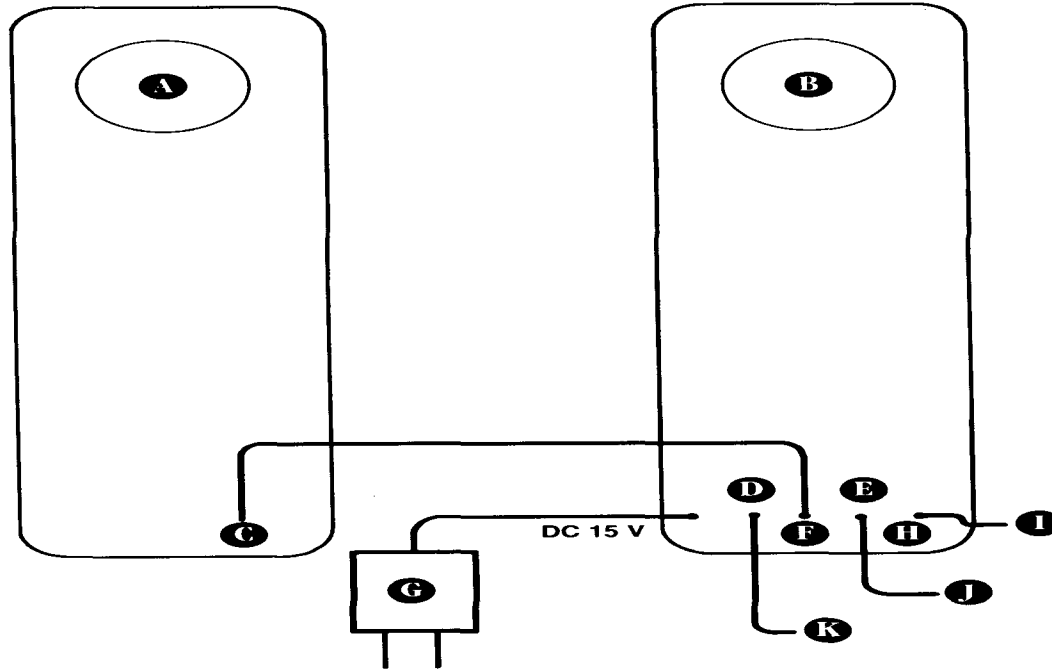
FEATURES OF LABTEC'S LCS-3210 SPEAKERS

- Transmission line design and enclosure for deeper clearer bass with state-of-the-art Spatializer 3D sound technology.
- Drive Unit:
 - Max-X, 85mm, 4-ohm
 - Long excursion, magnetically shielded woofer
 - 15mm magnetically shielded dome tweeter
- Frequency response: 48 to 20,000 Hz
- Power Output:
 - 22 watts RMS (11W + 11W) @ 10% THD into 4 ohms
 - Distortion below 8 watts is less than 0.2% THD
- AC/DC adapter (120V AC to 15V DC, negative center polarity power jack @ 1600 ma, BS approved)
- Single-location speaker controls including:
 - Subwoofer ready master volume control
 - Variable bass and treble controls
- Input:
 - One stereo 3.5mm input jack
 - 10k impedance per channel
 - DC power input
 - Microphone pass-through jack
- Output:
 - Left speaker output
 - Headphone jack
 - Subwoofer output
 - Microphone pass-through output
- Compatible with all Macintosh and PC multimedia standard sound cards.
- One-year limited warranty

TROUBLESHOOTING

Problem	Check This	Try This
No sound	Is the power light on?	Make sure the unit is hooked up to an AC adapter and the power button is ON.
No sound	Is there output from the sound card?	If you remove the plug from the sound card, turn the speaker to maximum volume and touch the tip of the plug, you should hear a hum or buzz coming from the speakers. If you <u>do</u> , the speakers are working. Check out the sound card setup.
No sound	Are the headphones plugged into the headphone jack?	Headphones plugged into the headphone jack will block sound from the speakers. Remove the headphones to restore sound to the speakers.
Sound coming from only one channel	Connections to the sound card and to the left speaker	Make sure the cables are plugged in completely and that the connections are correct.
Buzzing or humming sound	Volume, tone, mixer controls on software	Follow the manufacturer's set up instructions for these controls.

LCS - 3210



System Connection

- A Left speaker
- B Right speaker
- C Speaker input
- D Stereo input
- E Subwoofer out
- F Left output
- G AC adapter
- H Mic
- I To MIC input on sound card
- J To optional subwoofer
- K To sound card

Conèxion del Sistema

- A Altavoz izquierdo
- B Altavoz derecho
- C Entrada de l altavoz
- D Entrada estéreo
- E Salida del altavoz
- F Salida izquierda
- G Adaptador AC
- H Micrófono
- I A la entrada de micrófone en la tarjeta de sonido
- J Al altavoz opcional
- K A la tarjeta de sonido

Jonction du Système

- A Haut-parleur gauche
- B Haut-parleur droit
- C Input de haut-parleur
- D Input de stereo
- E Subwoofer sortie
- F Production gauche
- G AC adaptateur
- H Microphone
- I Au input de microphone sur la carte de son
- J Au subwoofer optionnel
- K À la carte de son

Systemanschluß

- A Sprecher Links
- B Sprecher Rechts
- C Sprechereingabe
- D Stereoeingabe
- E Subwooferausgabe
- F Ausgabe links
- G Wechselstrom Adapter
- H Mikrofon
- I An die Mikrofoneingabe auf der Tonkarte
- J An den Subwoofer, nach Wunsch
- K An die Tonkarte

Collegamento del Sistema

- A Altoparlante di Sinistra
- B Altoparlante di destra
- C Entrata Altoparlante
- D Entrata Stereo
- E Uscita Subwoofer
- F Uscita di Sinistra
- G All'adattatore AC
- H Microfono
- I Entrata microfono alla cartella suono
- J Al subwoofer facoltativo
- K Alla cartella suono

 **Labtec.**

Labtec Enterprises, Inc.
3801 N.E. 109th Avenue, Suite J.
Vancouver, WA 98682
(360) 896-2000
Fax (360) 896-2020