

PF 22.000 WITH CLAMP | PFA 20.000 FILTERFAN | EXHAUST FILTER 56–70 m³/h

- installation size 2, air flow rate up to 70 m³/h
- system of protection IP54 and IP55, NEMA type 12
- UL, cUL approval
- UV-resistance (IP55 version)
- cut-out compatible with installation size 2 from the 3rd Generation
- exhaust filters also available in 42 piece packaging for faster assembly



PRODUCT		PF 22.000			Unit
ARTICLE NO.	IP54 GRAY	11622101055	11622151055	11622801066	
ARTICLE NO.	IP55 GRAY	11622103055	11622153055		
ARTICLE NO.	IP54 BLACK	11622101050	11622151050	11622801051	

DATA

Rated voltage ±10 %	AC 50 60 Hz		DC	V
	230	115	24	
Unimpeded airflow	IP54	61 70	61	m ³ /h
	IP55	56 64	56	
Airflow rate in comb. with exhaust filter	IP54	44 50	44	
	IP55	40 46	40	
Power consumption	19 18	20 20	5	W
Current consumption	0.12 0.18	0.24 0.23	0.21	A
Noise level according to EN ISO 3741	44 44		44	dB (A)
Weight	0.7		0.44	kg
Type of connection	terminal strip, single-wire, 0.5 - 1.5 mm ²			
Fuse	6			A
System of protection according to EN 60529 / UL 50	IP54	NEMA type 12 - standard filter		
	IP55	NEMA type 12 - fluted filter		
Filtration efficiency	IP54	88		%
	IP55	91		
Filter mat quality class according to EN 779	IP54	G 4		
	IP55	G 4		
Duty cycle	100			%
Bearing type	sleeve bearing		ball bearing	
Service life L ₁₀ (+ 40 °C) ¹	37500	40000	62500	h
Temperature range	-40 ... +55 -40 ... +131			°C °F
Design (housing and protection against accidental contact)	IP54	made of injection-moulded thermoplastic, self-extinguishing, UL 94 V0		
	IP55	additional: UV-resistant		
Colour	RAL 7035 or 9011 different colours available on request			

ACCESSORIES		ARTICLE NUMBER	
Exhaust filter	gray	1 piece 11720001055	42 piece assembly packaging 11720001411
Exhaust filter	black	1 piece 11720001050	
Spare filter mats	5 pieces	IP54: 18611600030; IP55: 18611600034	
Thermostat		17121000000	
Hygrostat		17207000000	
Rainhood in stainless steel		18102000014	

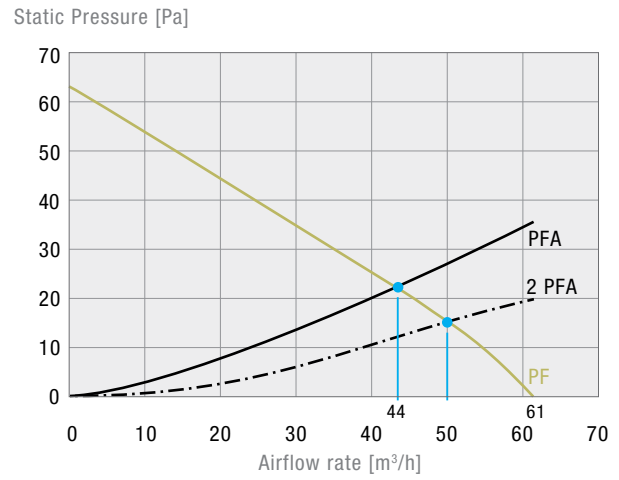
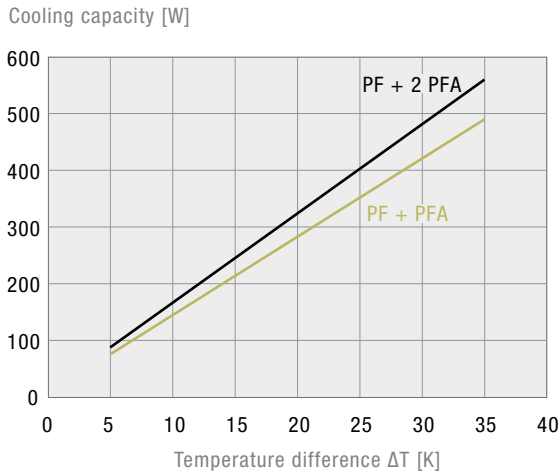
For additional models, options and voltages visit www.pfannenberg.com or contact us directly.

¹ fan failure is defined as being when the current and speed deviate or the operating noises are out of the ordinary

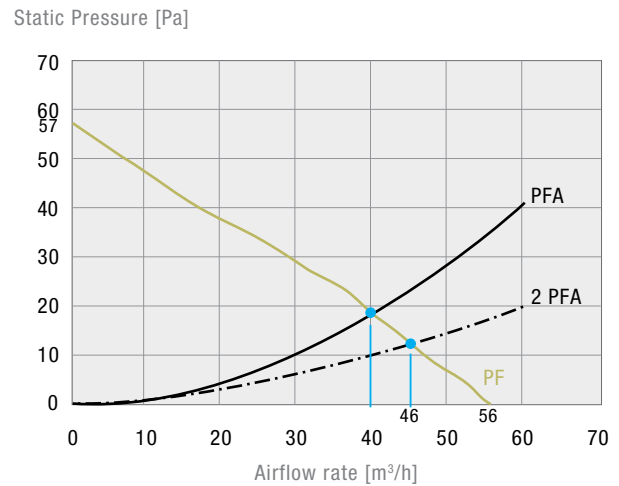
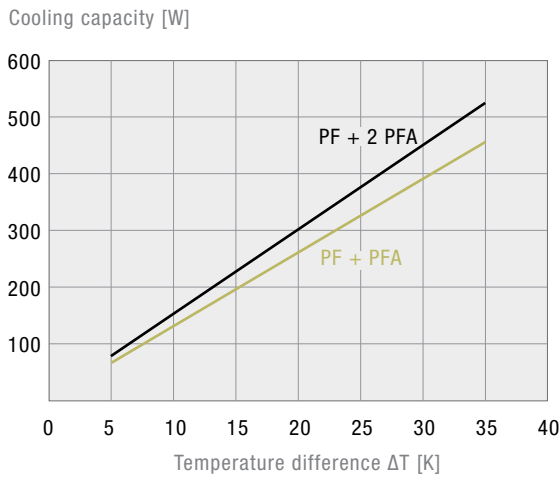
Cooling capacity performance curves

Static pressure performance curve

PF 22.000 IP54

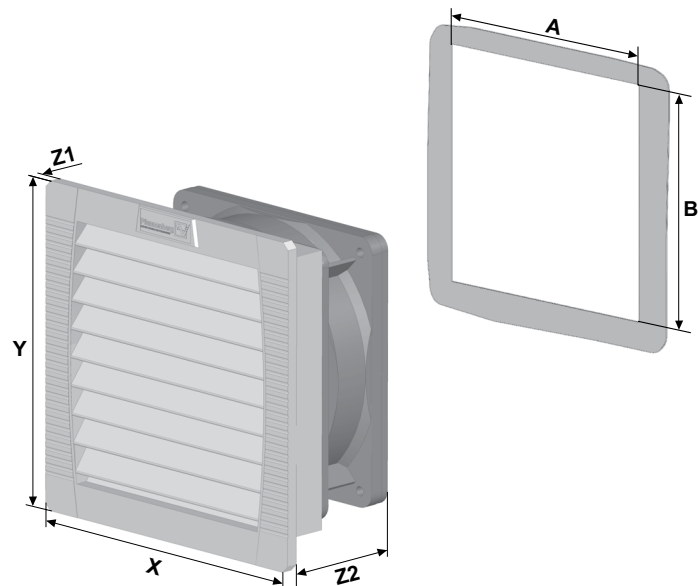


PF 22.000 IP55



Dimensions

mm	PF 22.000		PFA 20.000
	AC	DC	
X	145	145	145
Y	145	145	145
Z1	5	5	5
Z2	70	64	26
A¹	125	125	125
B¹	125	125	125



¹ for material thicknesses up to 2 mm
+ 1 mm for thickness of material > 2 mm ≤ 3 mm