

## Datasheet

# Stainless Steel Manual Ball Valve

RS Stock number [499-2818](#)



### Features:

- Reduced-bore quarter-turn stainless steel ball valve.
- ASTM A351-CF8M cast stainless steel body, ball and spindle material 316, handle 304, RTFE ball seal
- Lockable operating lever with thermally insulating vinyl sleeve
- Blow-out proof stem with PTFE seal
- Maximum operating temperature 232°C (450°F)
- Anti-static Device (option)
- Locking device
- Thread Type – ASME B1.20.1 (NPT), DIN2999 & BS21, ISO7/1 & EN10226

### Specifications:

- Attachment Type: Threaded
- Ball Material: Stainless Steel
- Body Material: Stainless Steel
- Handle Material: Stainless Steel
- Maximum Working Pressure: 68 bar
- Thread Size: 1 in
- Thread Standard: BSPP
- Threaded Connection: 1 in BSPP

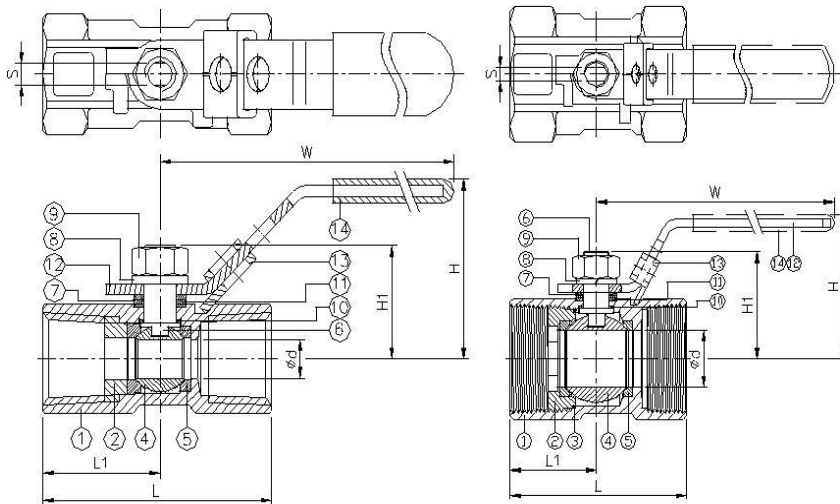


Figure 1

| ITEM | PARTS         | MATERIAL        |
|------|---------------|-----------------|
| 1    | BODY          | ASTM A351-CF8M  |
| 2    | RETAINER      | ASTM A351-CF8M  |
| 3    | BODY SEAL     | PTFE            |
| 4    | BALL          | ASTM A351-CF8M  |
| 5    | BALL SEAT     | PTFE / RTFE     |
| 6    | STEM          | ASTM A276-316   |
| 7    | FLAT WASHER   | AISI 304        |
| 8    | SPRING WASHER | AISI 304        |
| 9    | STEM NUT      | AISI 304        |
| 10   | THRUST WASHER | PTFE            |
| 11   | PACKING       | PTFE            |
| 12   | HANDLE        | STAINLESS STEEL |
| 13   | LATCH LOCK    | STAINLESS STEEL |
| 14   | HANDLE SLEEVE | PVC             |

**Measurements:**

| DN | d  | L  | L1 | H    | H1   | W     | S | Torque (N-m) | Weight (kg) |
|----|----|----|----|------|------|-------|---|--------------|-------------|
| 25 | 15 | 71 | 35 | 56.5 | 36.5 | 111.5 | 6 | 3            | 0.4         |

All measurements given in the above table are given in mm unless otherwise stated. These measurements are for Figure 1 above.