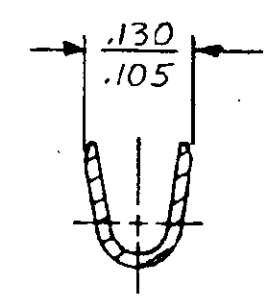
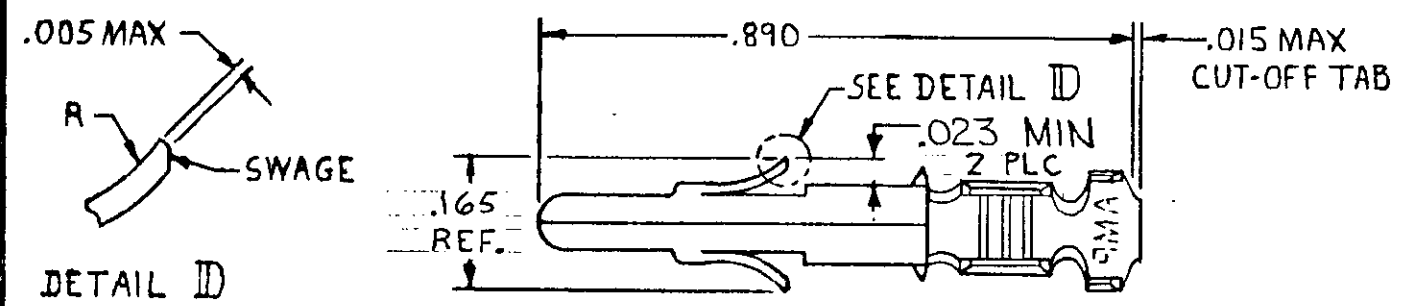
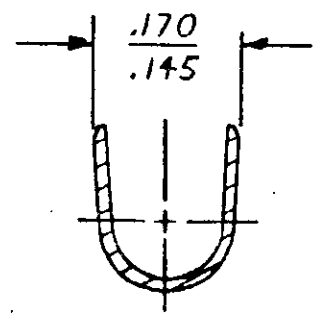
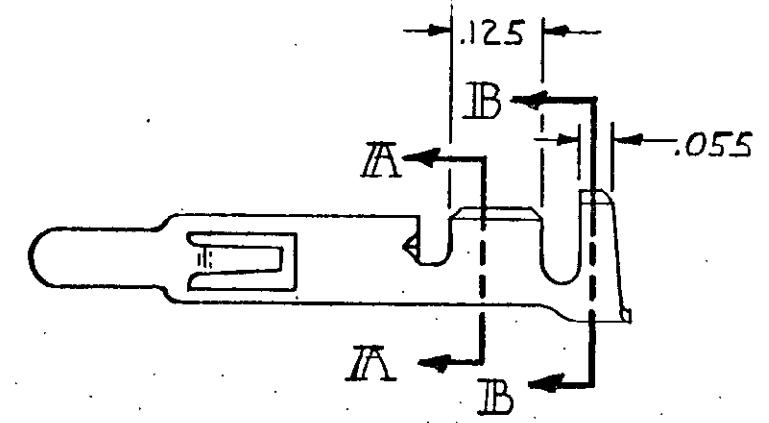
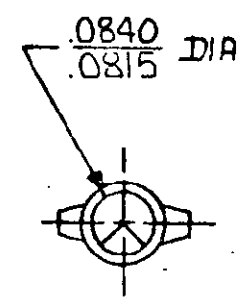


© COPYRIGHT 1975 BY AMP INCORPORATED, HARRISBURG, PA.  
 ALL INTERNATIONAL RIGHTS RESERVED. AMP INCORPORATED PRODUCTS  
 COVERED BY U. S. AND FOREIGN PATENTS AND/OR PATENTS PENDING.

REVISIONS						
P	F	ZONE	LTR	DESCRIPTION	DATE	APPROVED
✓	✓		B	REVISED & UPDATED M-6457	6-5-81	MSF/ΔH
✓			C	REVISED AG 57	10/24/83	SP Wheeler S. Jamer
✓			C1	RESTORED	4/9/85	B K <sub>0</sub> /RS
✓			D	REVISED PER CM-3286	2-7-91	PC RS
✓			E	REV PER EC 0730-3607-91	1-7-94	RV RS
✓			F	REV PER EC 0730-0156-94	8-24-94	RV RS



SECTION A-A



SECTION B-B

PRE-TIN	.012 BRASS	350669-1
FINISH	MATERIAL	PART NO

UNLESS OTHERWISE SPECIFIED DIMENSIONS ARE IN INCHES. TOLERANCES ON: DECIMALS ±.015 ANGLES ±	CONTRACT NO	<b>AMP</b>   AMP INCORPORATED Harrisburg, Pa.		
	DR <i>M. FEHER 5-6-81</i>			
	CHK <i>J.S. Heide 6/9/81</i>	NAME PIN, (LOOSE PIECE)		
	APPD <i>R. Polakute 6-10-81</i>	UNIVERSAL MATE-N-LOK		
WIRE RANGE 20-14 AWG	DSGN APPD	SIZE <b>B</b>	CODE IDENT NO 00779	DRAWING NO 350669
INSULATION RANGE .130 DIA MAX	OTHER APPD	SCALE 4-1		SHEET #