

1658615-4 ✓ ACTIVE

AMPLIMITE | AMPLIMITE HDF

TE Internal #: 1658615-4

9 Position D-Shaped Connector, Plug, Cable-to-Cable, Cable Mount (Free-Hanging), Shell Size 1, 2.77 mm [.055 in] Centerline, AMPLIMITE HDF

[View on TE.com >](#)



Connectors > D-Shaped Connectors > IDC D-Sub: Plug Assembly, Low Profile, Signal, 2.77 mm



Number of Positions: 9

Connector & Housing Type: Plug

Connector System: Cable-to-Cable

Connector Mounting Type: Cable Mount (Free-Hanging)

Connector Shell Size: 1

[All IDC D-Sub: Plug Assembly, Low Profile, Signal, 2.77 mm \(17\)](#)

Features

Product Type Features

Ground Feature Type	Grounding Indents
Shell Material Configuration	All Plastic
Connector & Housing Type	Plug
Connector System	Cable-to-Cable
Connector Shell Size	1
Connector Product Type	Connector Assembly
Connector & Contact Terminates To	Wire & Cable

Configuration Features

Number of Positions	9
Number of Rows	2
Compatible With Wire & Cable Type	Ribbon Cable

Body Features



Cover Material	Thermoplastic
Cable Exit Angle	180 °
Mating Retention Feature Material	Steel
Ribbon Cable Centerline Spacing	1.27 mm[.05 in]
Connector Profile	Low

Contact Features

	30 µin
Contact Underplating Material	Nickel
Wire Contact Termination Area Plating Material	Tin
Contact Mating Area Plating Material	Gold (Au)
Contact Base Material	Phosphor Bronze
Contact Type	Pin
Contact Size	Size 20
Contact Current Rating (Max)	1.25 A
Contact Options	Installed

Termination Features

Termination Method to Wire & Cable	Insulation Displacement (IDC)
------------------------------------	-------------------------------

Mechanical Attachment

Mating Retention Feature Plating Material	Zinc
Mating Retention Type	Threaded Insert, 4-40 UNC
Mating Retention	With
Connector Mounting Type	Cable Mount (Free-Hanging)

Housing Features

Housing Material	Thermoplastic
Centerline (Pitch)	2.77 mm[.055 in]

Dimensions

Compatible Cable Insulation Diameter Range	.81 – .97 mm[.032 – .038 in]
Solid Wire Size	28 – 26 AWG
Wire Size	28 – 26 AWG

Usage Conditions

Operating Temperature Range	-55 – 105 °C[-67 – 221 °F]
-----------------------------	----------------------------

Operation/Application



Shielded	No
Circuit Application	Signal

Industry Standards

UL Flammability Rating	UL 94V-0
------------------------	----------

Packaging Features

Packaging Quantity	40
Packaging Method	Tube

Product Compliance

[For compliance documentation, visit the product page on TE.com>](#)

EU RoHS Directive 2011/65/EU	Compliant
EU ELV Directive 2000/53/EC	Compliant
China RoHS 2 Directive MIIT Order No 32, 2016	有害物质含量符合标准要求 No Restricted Substance(s) Above Threshold
EU REACH Regulation (EC) No. 1907/2006	Current ECHA Candidate List: JUNE 2025 (250) Candidate List Declared Against: JUNE 2025 (250) Does not contain REACH SVHC
Halogen Content	Not Low Halogen - contains Br or Cl > 900 ppm.
Solder Process Capability	Not applicable for solder process capability

Product Compliance Disclaimer

This information is provided based on reasonable inquiry of our suppliers and represents our current actual knowledge based on the information they provided. This information is subject to change. The part numbers that TE has identified as EU RoHS compliant have a maximum concentration of 0.1% by weight in homogenous materials for lead, hexavalent chromium, mercury, PBB, PBDE, DBP, BBP, DEHP, DIBP, and 0.01% for cadmium, or qualify for an exemption to these limits as defined in the Annexes of Directive 2011/65/EU (RoHS2). Finished electrical and electronic equipment products will be CE marked as required by Directive 2011/65/EU. Components may not be CE marked. Additionally, the part numbers that TE has identified as EU ELV compliant have a maximum concentration of 0.1% by weight in homogenous materials for lead, hexavalent chromium, and mercury, and 0.01% for cadmium, or qualify for an exemption to these limits as defined in the Annexes of Directive 2000/53/EC (ELV). Regarding the REACH Regulation, the information TE provides on SVHC in articles for this part number is based on the latest European Chemicals Agency (ECHA) 'Guidance on requirements for substances in articles' posted at this URL: <https://echa.europa.eu/guidance-documents/guidance-on-reach>

Compatible Parts



TE Part # 768340-1
UNIV HAND TOOL KIT AMPLATCH



TE Part # CAT-025-DRAVS1274
D-Sub Receptacle Assembly: Vertical,
Shell Size 1, 2.74mm



TE Part # 745201-7
09 HDE AP RECEPT, LEAD FREE



TE Part # CAT-AM7-253
IDC D-Sub: Receptacle Assembly, Low
Profile, Signal, 2.77 mm



TE Part # CAT-023-DRARS1274
D-Sub Receptacle Assembly: Right
Angle, Shell Size 1, 2.74mm

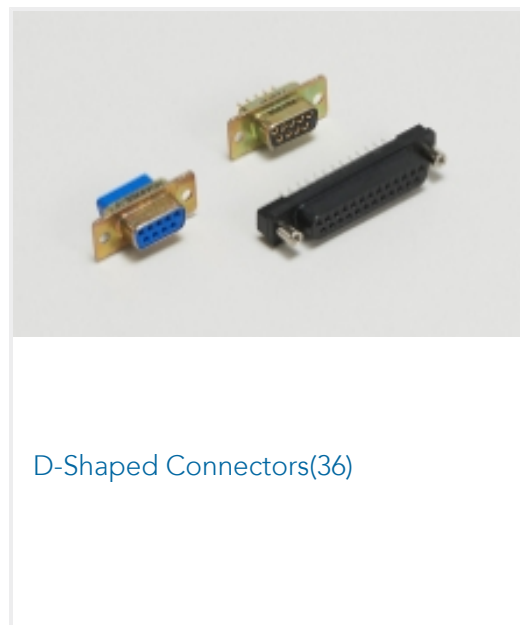
Also in the Series | **AMPLIMITE HDF**



Connector Hardware(3)



Connector Strain Relief(5)

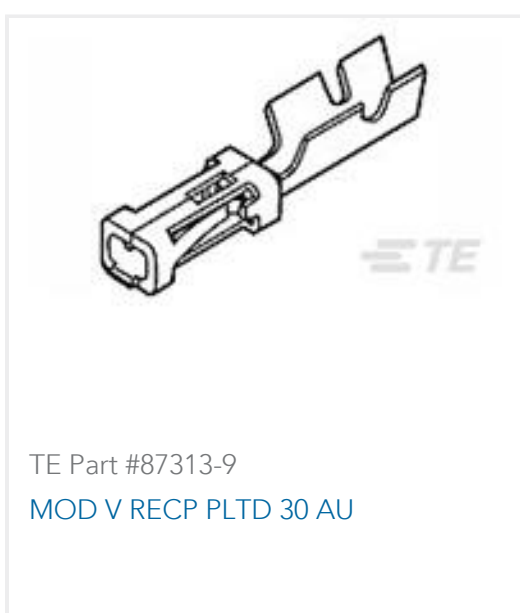


D-Shaped Connectors(36)



IDC D-Sub Connectors(36)

Customers Also Bought



TE Part #87313-9
MOD V RECP PLTD 30 AU



TE Part #1-111196-9
30 RCPT SYSTEM 50, LEAD FREE



TE Part #2-111196-1
50 RCPT SYSTEM 50, LEAD FREE



TE Part #2-111196-6
014 RCPT SYSTEM 50 30 DPLX



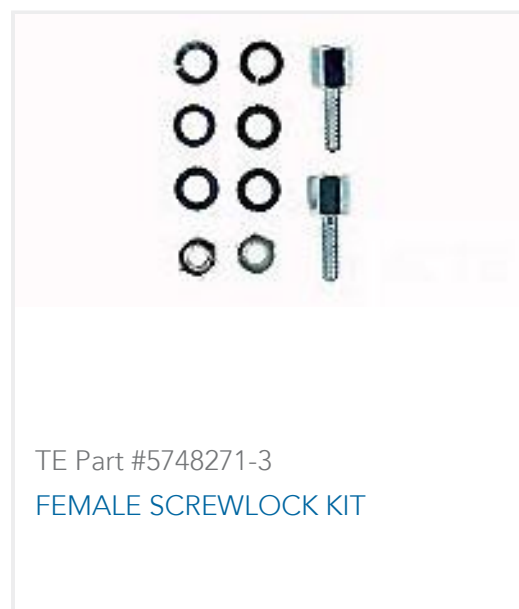
TE Part #CAT-035-DCCPB20
D-Sub Connector Contacts: Pin, Brass,
Signal, Size 20



TE Part #747275-3
015 LP HDF STRAIN RELIEF



TE Part #2-1437012-4
609-006-1=HDW IDC JACKSOCKET A



TE Part #5748271-3
FEMALE SCREWLOCK KIT



Documents

Product Drawings

[09 POS HDF PLUG, AP, LEAD FREE](#)

English

CAD Files

[3D PDF](#)

English

[Customer View Model](#)

[ENG_CVM_1658615-4_O1.2d_dxf.zip](#)

English

[Customer View Model](#)

[ENG_CVM_1658615-4_O1.3d_igs.zip](#)

English

[Customer View Model](#)

[ENG_CVM_1658615-4_O1.3d_stp.zip](#)

English

By downloading the CAD file I accept and agree to the [Terms and Conditions](#) of use.

Datasheets & Catalog Pages

[AMPLIMITE Subminiature D Connectors - Cable Connectors](#)

English

[AMPLIMITE Cable Connectors and Shielding Hardware Kits QRG](#)

English

Product Specifications

[Product Specification](#)

English

[Product Specification](#)

English

Instruction Sheets

[Instruction Sheet \(U.S.\)](#)

English

Agency Approvals

[CSA Certificate](#)

1658615-4

9 Position D-Shaped Connector, Plug, Cable-to-Cable, Cable Mount (Free-Hanging),
Shell Size 1, 2.77 mm [.055 in] Centerline, AMPLIMITE HDF



English