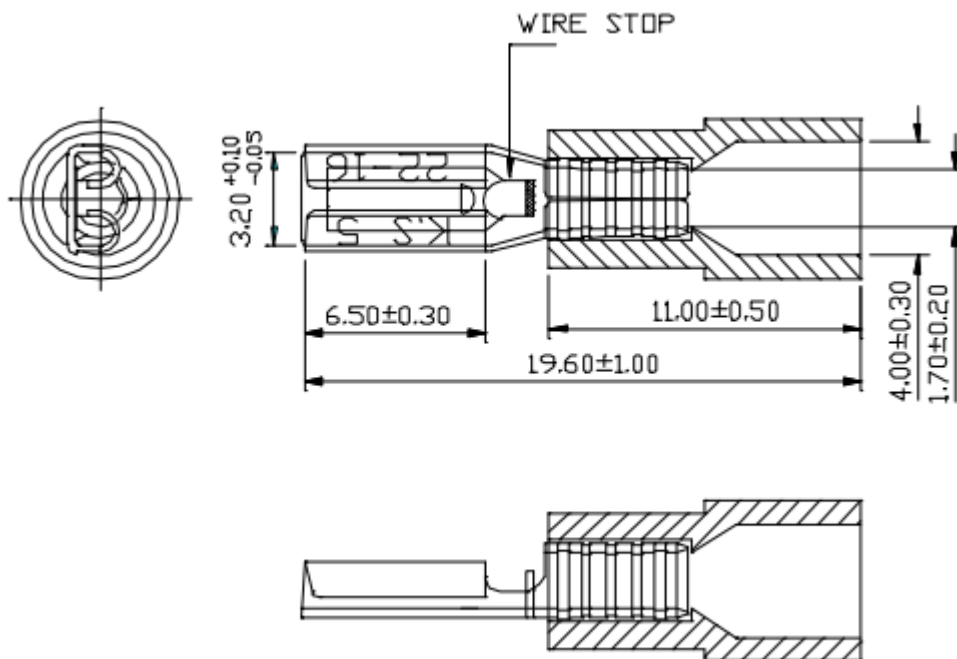


Datasheet

Red Insulated Crimp Receptacle

RS Stock number [613-9817](#)

Dimensions: (mm)



Specifications

- Maximum Electric Current:

A.W.G.	22	20	18	16
AMP.	3	4	7	10
- Maximum Electrical Rating: 125°C 300 Volts Max
- Insulation Material: PC
- Insulation Colour: Red
- Terminal Material: Copper
- Wire Range: 22-16 AWG (0.5-1.5mm²)
- Terminal Thickness: 0.30mm