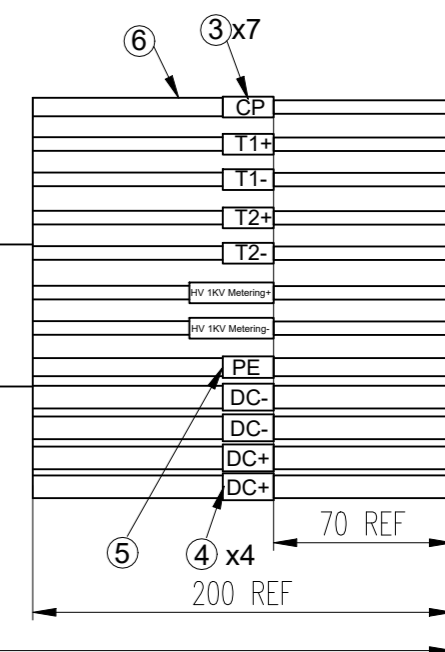
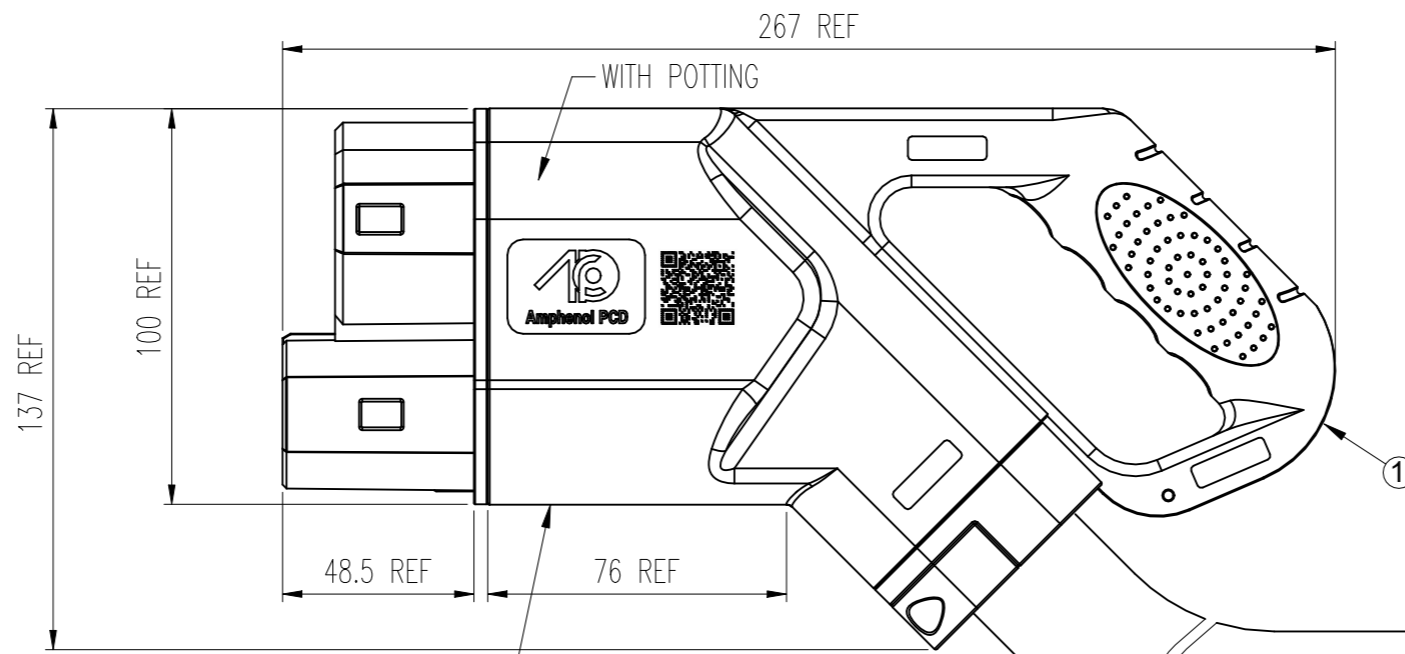
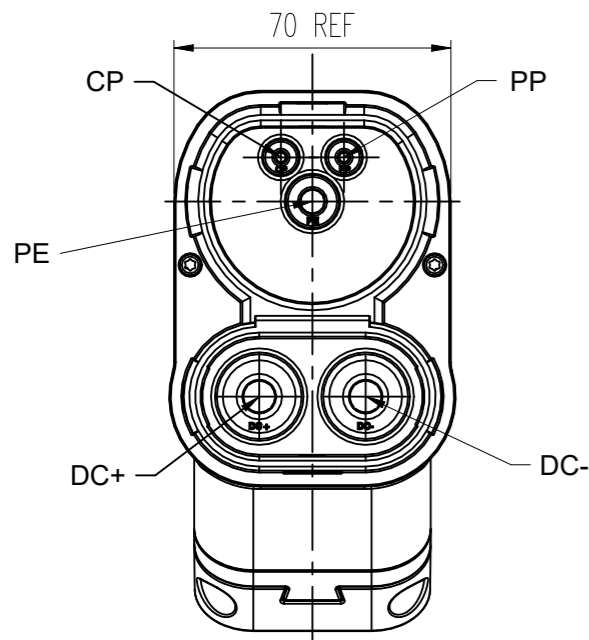


REV	ECN	DESCRIPTION	DATE	MODIFIED
1		RELEASE	Apr-03-2025	Elanor

Amphenol PCDSZ
ORIGINAL
PDF Format
R&D

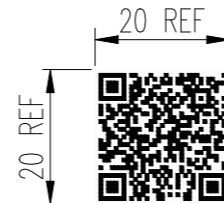
安费诺精密连接器(深圳)有限公司
Amphenol PCD Shenzhen
受控文件
2025年4月14日



Laser marking
TYPE
HVCOCMTR8PF250AM3LXXXX
DC 250A 1000V IP55
T/N XXXXXYY YYWW

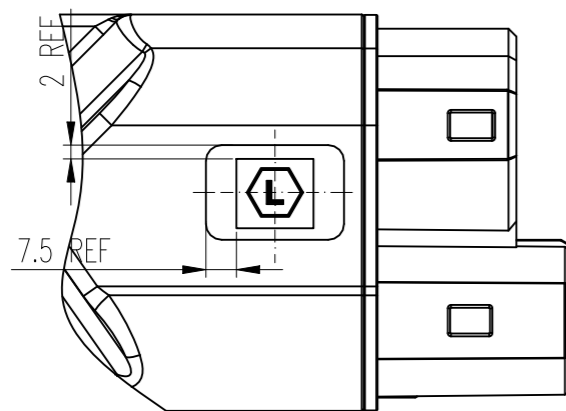
YYWW:Year/Week
XXXXXXYY:Work order number+batch number
LXXX:XXXX=Cable length

QR code Content including:
Part number
#Work order number
#Serial number ex:0001
(ex:HVCOCMTR8PF250AM3L5000#XXXXXX#XXXX)



LENGTH	TOLERANCE
0 to 1000mm	±50
1001 to 5000mm	±100
>5000mm	±200

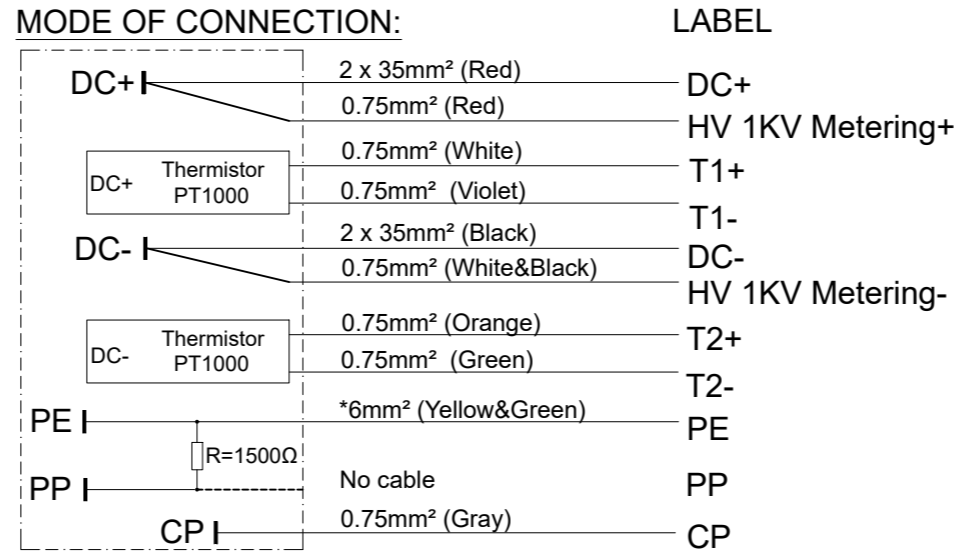
Identifier:



DIMENSIONS	TOLERANCES	PROJECTION	Amphenol PCD Shenzhen	GEN2 CCS2 CONNECTOR 250A 1000V 4X35MM2 CABLE ASSEMBLY		
ANSI Y14.5M UNITS: MM CAD FILE	.X ± 0.5 .XX ± 0.05 ANGLES ± 2'		ENGR Elanor Apr-03-2025	SIZE A3	DWG NO. C-HVCOCMTR8PF250AM3LXXXX	REV 1
ORIGINAL	THIS DOCUMENT CONTAINS PROPRIETARY INFORMATION WHICH IS THE CONFIDENTIAL PROPERTY OF AMPHENOL PCD SHENZHEN AMPHENOL PCD SHENZHEN RESERVES THE RIGHT TO CLARIFY THIS DRAWING	CHKD <i>Jack</i> APPD <i>Ben</i>	Elanor Apr-03-2025	CODE:	SCALE 1:1	SHEET 1 OF 2

C-HVCOCMTR8PF250AM3LXXXX

C-HVCOCMTR8PF250AM3LXXXX



***Notes:**

1.Cable Assembly Data:

- Storage temperature: -40°C to +80°C
- Ambient Temperature: -40°C to +50°C, (+55°C max, Current reduction required, when the working temperature is beyond 90°C)
- ✦ Rated Voltage: 1000V DC (DC+, DC-); 30V DC (CP, PP);
- ✦ Rated Current: 2A Max (CP, PP); 250A Max (DC+, DC-)
- ✦ Insulation Resistance: DC 1000V 100MΩ Min (DC+, DC-, PE)
DC 500V 100MΩ Min (CP, Thermistor wires);
- ✦ Withstand Voltage: 3000V AC (DC+, DC-, PE);
500V AC (CP, Thermistor wires);
- ✦ IP-Class: IP55 (mated); IP67 (enclosure/initial)
- ☉ Durability: 20000 cycles
- ✦ RoHS Compliance
- 2.Connector reference: C-HVCOCMTR8PFXXXAL0000
- 3.Reference For, IEC 62196-3; EN17186
- 4.Cable minimum bending radius: 10 OD
- 5.For HV 1KV Metering wires: Please protect with insulated material at the tail if don't use both wires
- *Ground wire is suitable for isolated DC EV supply equipment as reference earth or function earth.



⑥	P05B000007	SINGLE-WALL H.S.T: Ø6 BLACK	0.10	m
⑤	P05B000006	SINGLE-WALL H.S.T: Ø6 WHITE	0.02	m
④	C210006511	SINGLE-WALL H.S.T: Ø12.7 WHITE	0.12	m
③	C210006837	SINGLE-WALL H.S.T: Ø3.2 WHITE	0.14	m
②	CABLE	4x35mm ² +6mm ² +8x0.75mm ² OD=31.5±1 BLACK	AR	m
①	HVCOCMTR8PF250AML0000	CCS2 250A PLUG-POTTING BLACK	1	EA
ITEM	P/N	DESCRIPTION	QTY	UNIT

SIZE	DWG NO.	REV
A3	C-HVCOCMTR8PF250AM3LXXXX	1
CODE:	SCALE 1:1	SHEET 2 OF 2