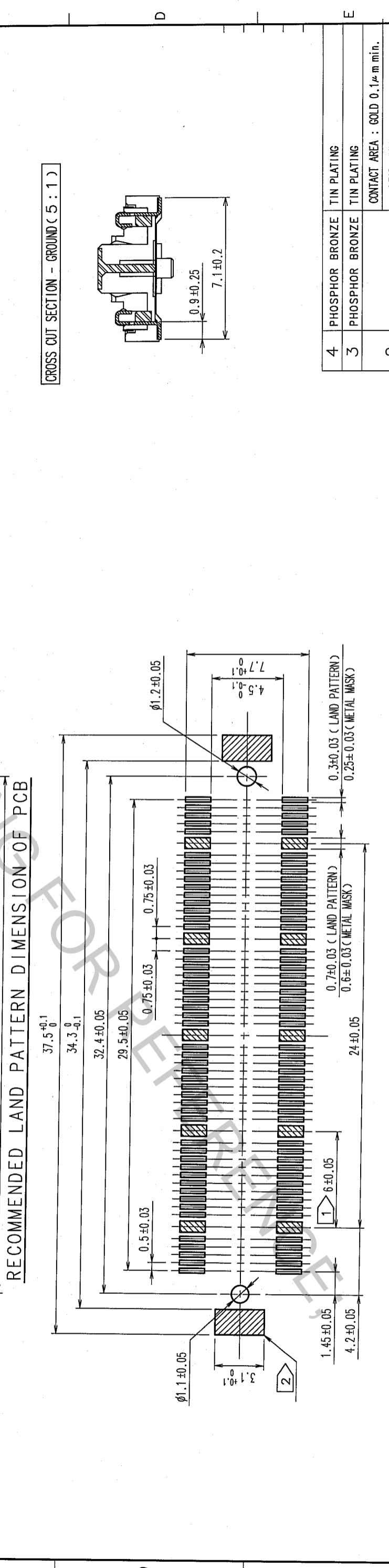
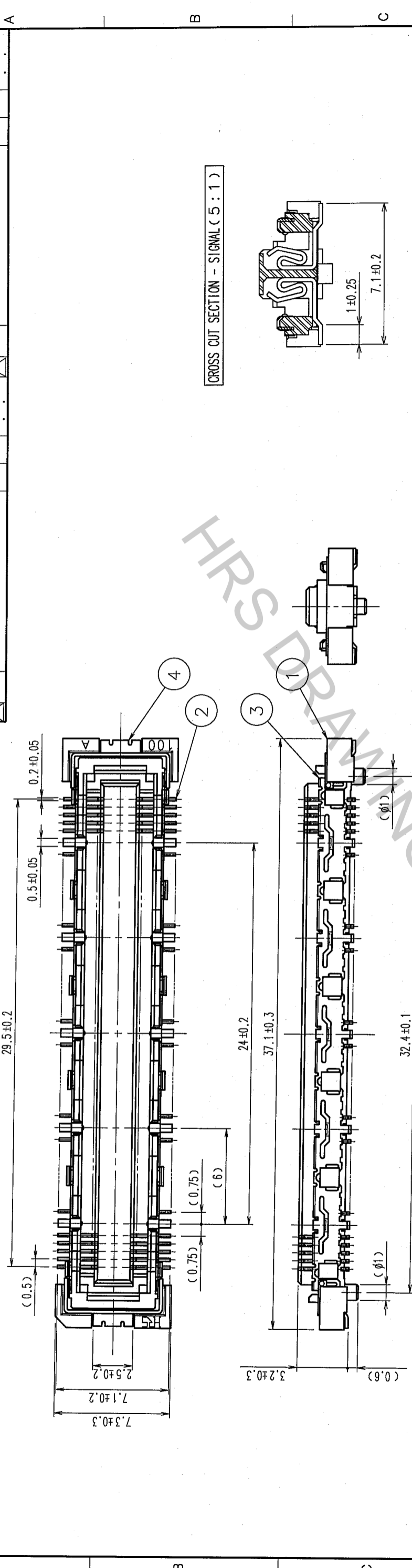


COUNT		DESCRIPTION OF REVISIONS		BY	CHKD	DATE	COUNT	DESCRIPTION OF REVISIONS		BY	CHKD	DATE



NO.	LCP	MATERIAL	BEIGE	UL94V-0	FINISH, REMARKS
1					

NO.	PHOSPHOR BRONZE	TIN PLATING	FINISH, REMARKS
4		TIN PLATING	
3		TIN PLATING	
2		CONTACT AREA : GOLD 0.1µm min. LEAD AREA : GOLD FLASH UNDER PLATING : NICKEL 1µm min.	

NO.	MATERIAL	DESIGNED	CHECKED	APPROVED	RELEASED
		H. Doi	K. Ogawa	H. Okawa	
		'05.09.02	'05.09.02	'05.09.02	

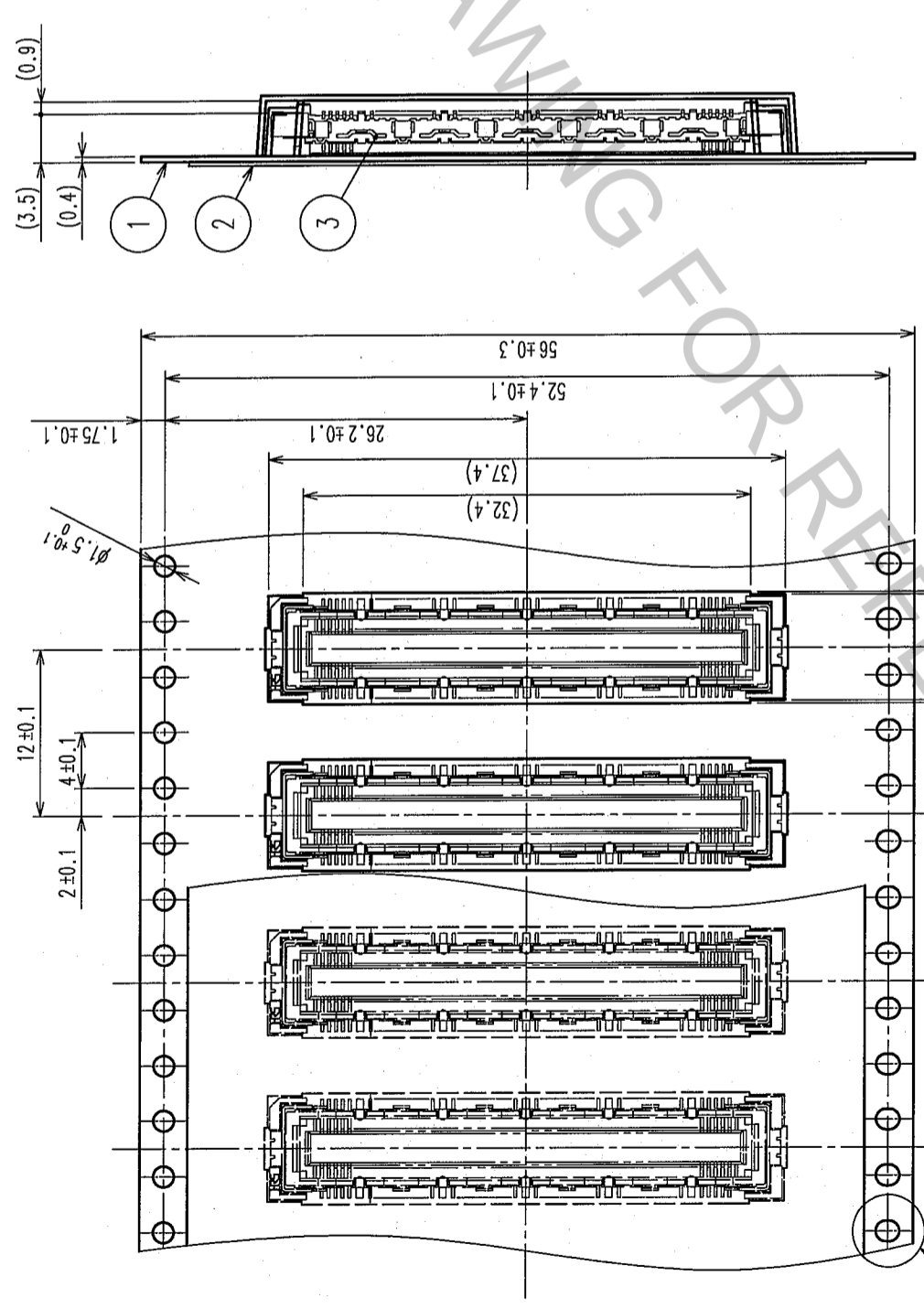
  

DRAWING NO.	PART NO.	CODE NO.
EDC3-151977-21	FX10A-100S/10-SV(91)	CL570-0202-7-91
SCALE 4 : 1		
UNITS mm		

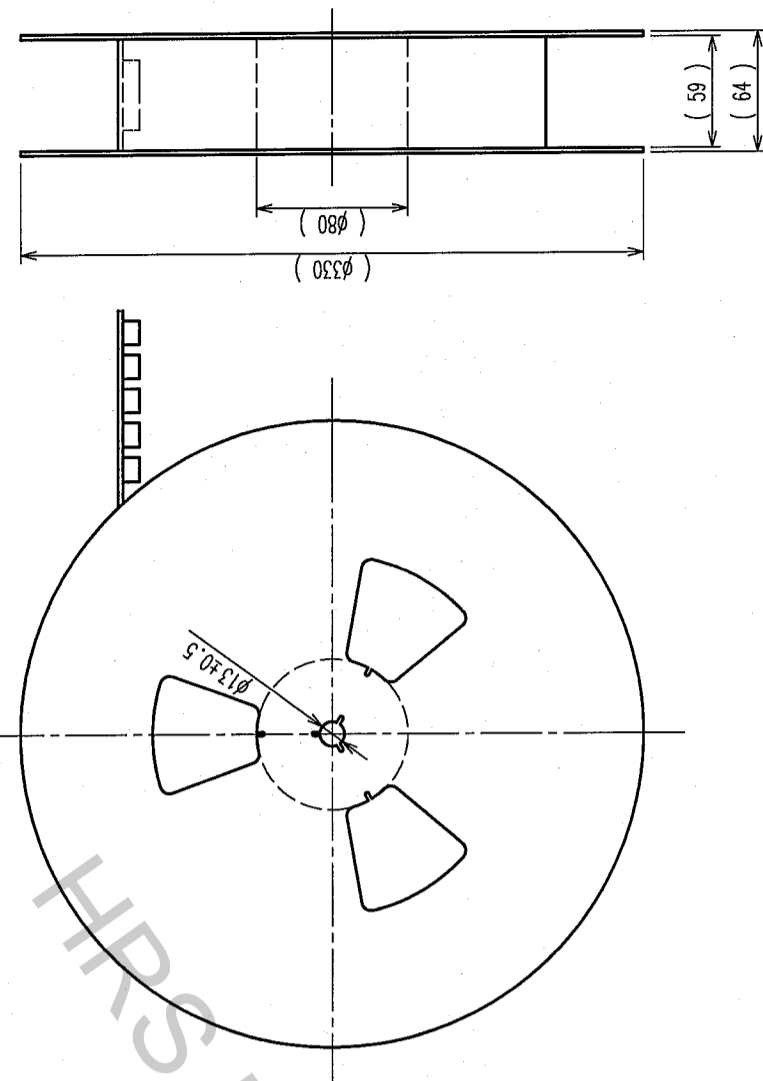
NOTES

- 10 HATCHED PARTS: GROUND CIRCUIT.
- 2 HATCHED PARTS: GROUND CIRCUIT.
- SMT LEAD-COPLANARITY: 0.1 MAX.
- THIS PRODUCT HAS NO POLARITY TO PATTERN FOR MOUNTING.
- EMBOSS CARRIER TAPE PACKAGE IS APPLIED ON THIS PRODUCT. PLEASE REFER TO THE SHEET 2/2 FOR THE DETAILS.
- THE DIMENSIONS IN PARENTHESES ARE FOR REFERENCE.

COUNT	DESCRIPTION OF REVISIONS	BY	CHKD	DATE	COUNT	DESCRIPTION OF REVISIONS	BY	CHKD	DATE
1					1				
2					2				
3					3				
4					4				

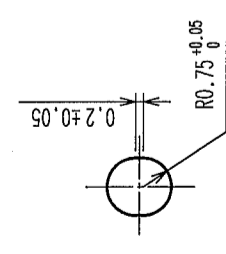


REELED DIMENSION(Free)



THE DIRECTION OF PULLING OUT

A (5:1)



- NOTES
- 1 REEL: 1000 CONNECTORS.
  - 2 MINIMUM 10 COMPARTMENTS FROM BOTH REEL ENDS REMAIN EMPTY.
  - 3 THIS PRODUCT HAS NO POLARITY TO TAPE AND REEL PACKAGING.
  - 4 THE DIMENSIONS IN PARENTHESES ARE FOR REFERENCE.

POLYESTER		TOP COVER TAPE		3 (CONNECTOR)		FINISH, REMARKS	
NO.	MATERIAL	FINISH, REMARKS	NO.	MATERIAL	CHECKED	APPROVED	RELEASED
1	POLYSTYRENE	EMBOSSED CARRIER TAPE	3	(CONNECTOR)			
DRAWING FOR PACKING		DRAWN		DESIGNED		CHECKED	
H. Doi		H. Doi		H. Doi		H. Doi	
'05-09-02		'05-09-02		'05-09-02		'05-09-02	
SCALE		DRAWING NO.		PART NO.		FINISH, REMARKS	
2 : 1		EDC3-151977-21		FX10A-100S/10-SV(91)			
UNITS		HIROSE ELECTRIC CO., LTD		CODE NO.		CL573-0202-7-91	
mm		HRS					

TO	
PCK	