

Mod. G7580 - Fittings Series 7000 - Automation

Product code: G7580 8

Datasheet creation date: 11/12/2025 09:36

Check the most updated document online [click here](#)

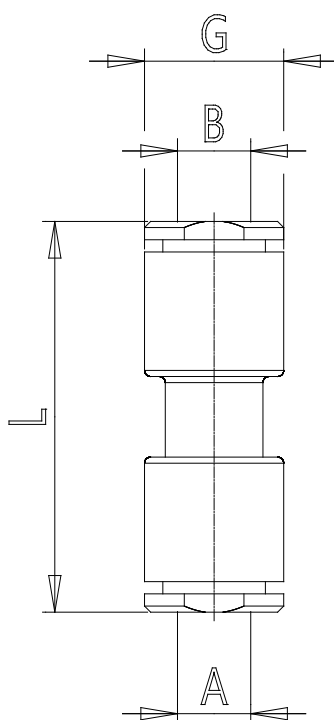


TECHNICAL DATA

Mod.	G7580 8
------	---------

Mod. G7580 - Fittings Series 7000 - Automation

Product code: G7580 8



DIMENSIONS

A (mm)	8
B (mm)	8
GD (mm)	13.7
L (mm)	34.5
Weight (g)	4.5