

# Indicator element

92-800.042

Distribution by  
Rs-online



<https://rs-online.eao.com/component/92-800.04...>

Your product:

---



## 92-800.042 Indicator element

### MECHANICAL CHARACTERISTICS

**Terminal:** PCB terminal

**Weight:** 0 kg

### CERTIFICATE

**REACH:** REACH compliant

**RoHS:** RoHS compliant

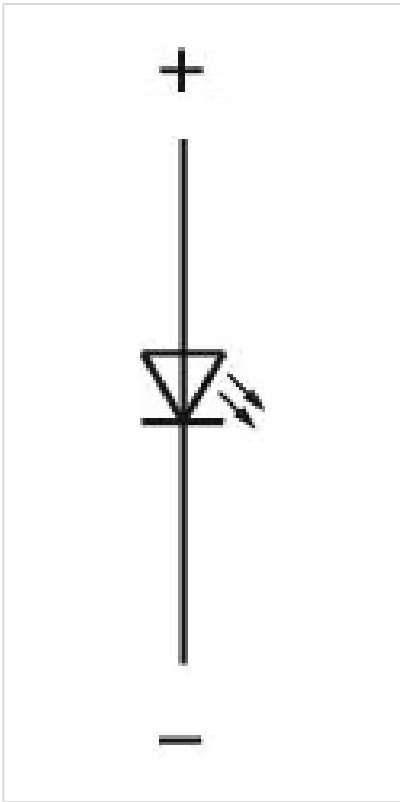
### OTHER

**Short Description:** Indicator element, PCB terminal

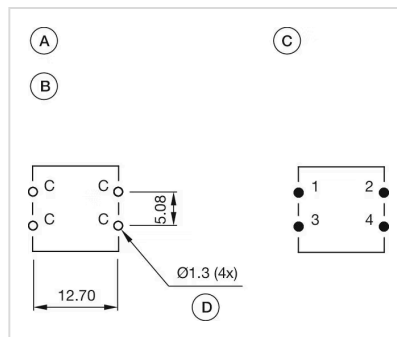
**Material:** Plastic

**Hints:** The customer has to decide what series resistor shall be used to the LED LED and mounting flange to be ordered separately

**Wiring diagrams:**



**Component layouts:**



- A = Switching element without illumination
- B = Drilling plan (component side)
- C = Occupancy plan (component side)
- D = Hole for switching element

**Dimension drawings:**

