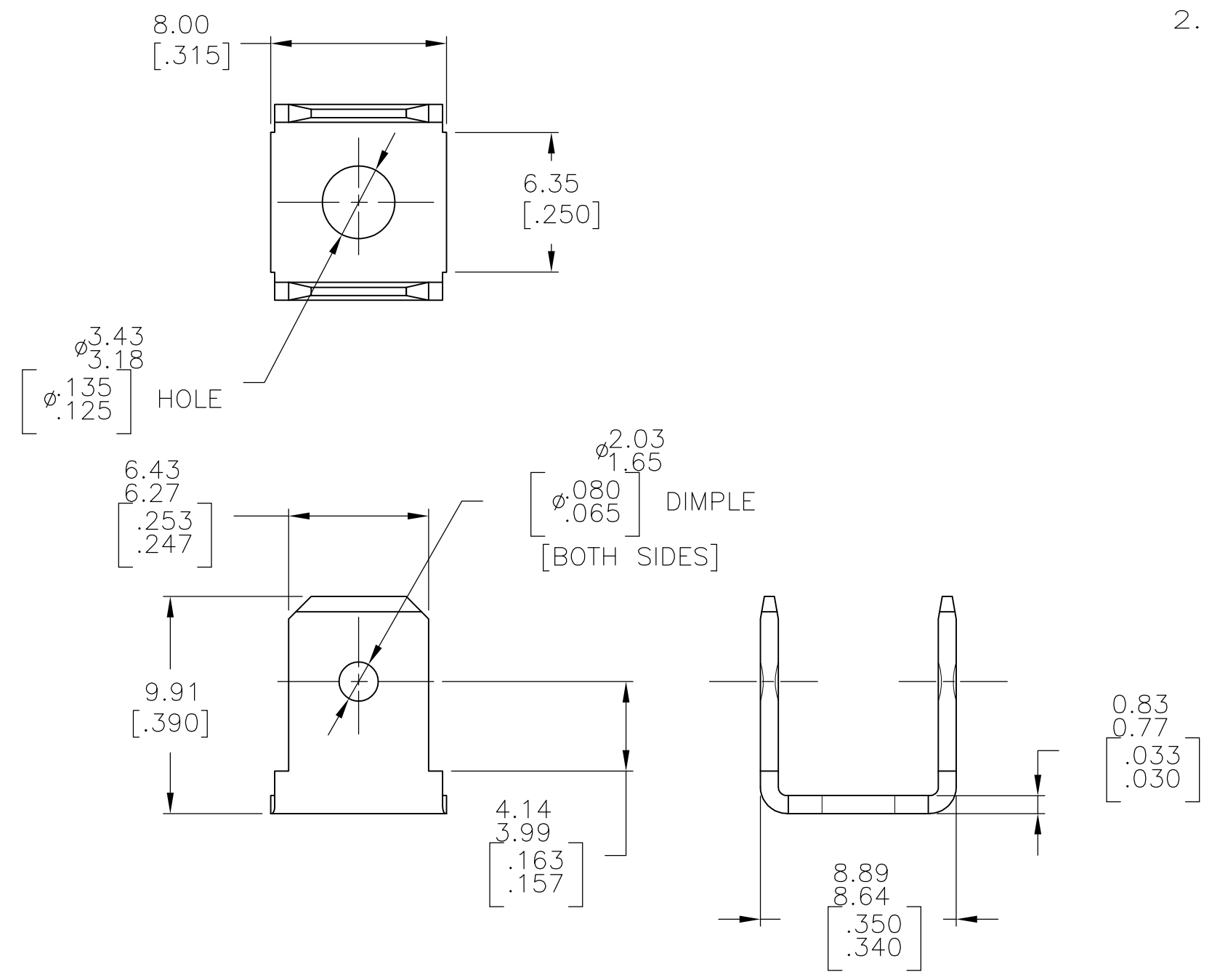


THIS DRAWING IS UNPUBLISHED. RELEASED FOR PUBLICATION
 © COPYRIGHT BY TYCO ELECTRONICS CORPORATION. ALL RIGHTS RESERVED.

LOC		DIST		REVISIONS			
P	LTR	DESCRIPTION		DATE	DWN	APVD	
	AG1	REVISED PER ECO-09-009918		4/23/09	SS	PD	

1. DIMENSIONS IN BRACKETS ARE IN INCHES.
2. SUPPLIED IN LOOSE PIECE.



41290
 PART NUMBER

METRIC

THIS DRAWING IS A CONTROLLED DOCUMENT.		DWN	JR RUTH	8/12/86	Tyco Electronics Corporation		
DIMENSIONS: mm [INCHES]		CHK	G YETTER	8/12/86	Harrisburg, PA 17105-3608		
TOLERANCES UNLESS OTHERWISE SPECIFIED:		APVD	C MEYERS	8/13/86	NAME		
0 PLC ± -		PRODUCT SPEC		.250 SERIES FASTON TAB			
1 PLC ± -		APPLICATION SPEC		RESTRICTED TO			
2 PLC ± -		SIZE	A3	CAGE CODE	00779	DRAWING NO	C-41290
3 PLC ± 0.25 .010		WEIGHT		SCALE		SHEET	
4 PLC ± -		CUSTOMER DRAWING		4:1		1 OF 1	
ANGLES ± -		FINISH		REV		AG1	
MATERIAL		#2H BRASS		SCALE		SHEET	