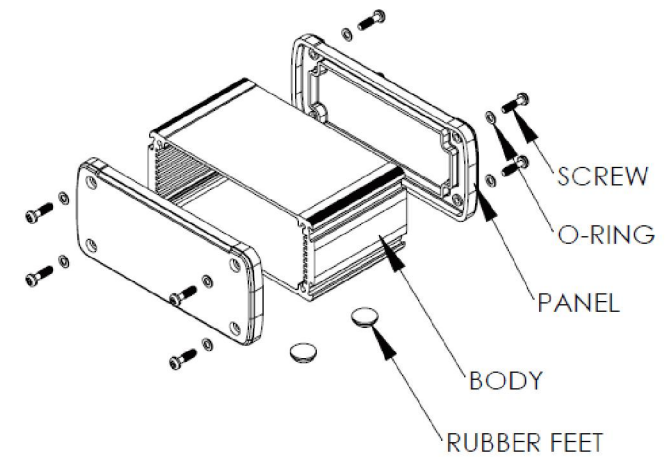
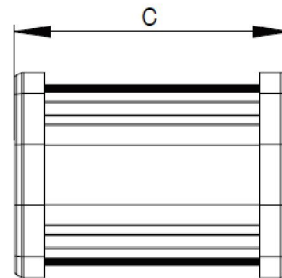
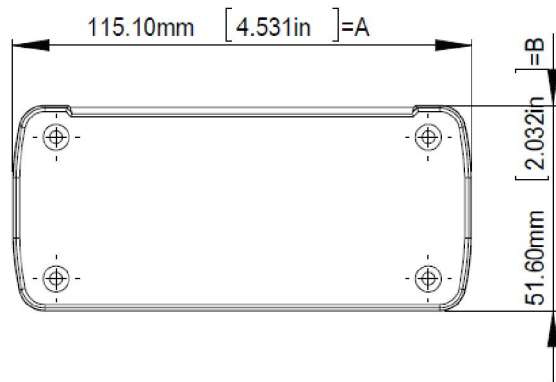
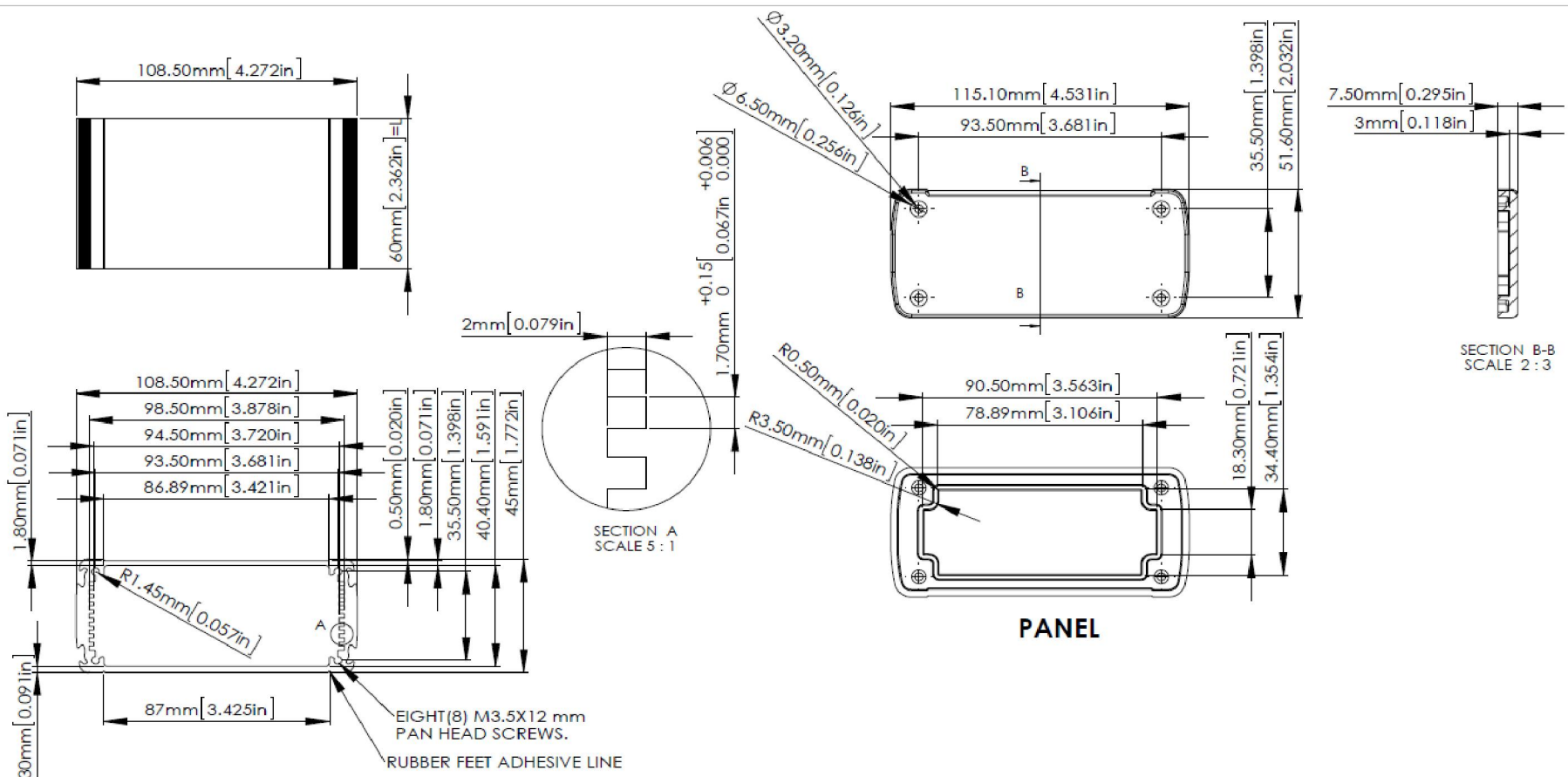




RS Stock No.13689260001
RS Stock No.13689270001
RS Stock No.13689280001
RS Stock No.13689290001
RS Stock No.13689300001
RS Stock No.13689320001





ITEM NO.	L(mm)
13689260001	60mm
13689270001	110mm
13689280001	160mm
13689290001	60mm
13689300001	110mm
13689320001	160mm

According to ISO 2768-m	
Measuring DIM=L	Tolerances
0.5<L<=3.0mm	±0.1mm
3.0<L<=6.0 mm	±0.1mm
6.0<L<=30.0 mm	±0.2mm
30.0<L<=120.0 mm	±0.3mm
120.0<L<=400.0 mm	±0.5mm
400.0<L<=1000.0 mm	±0.8mm