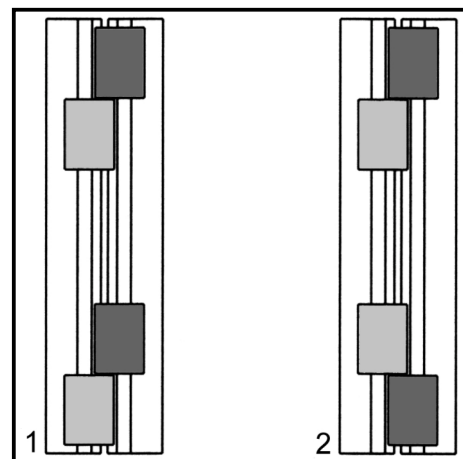
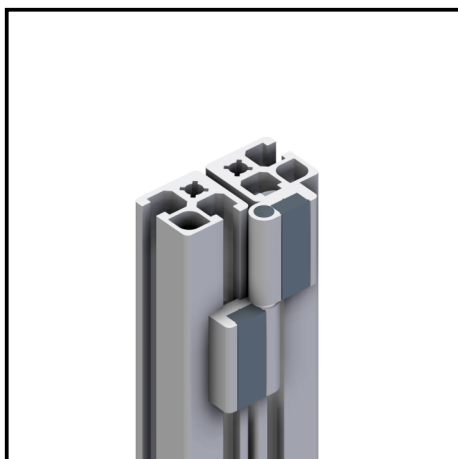
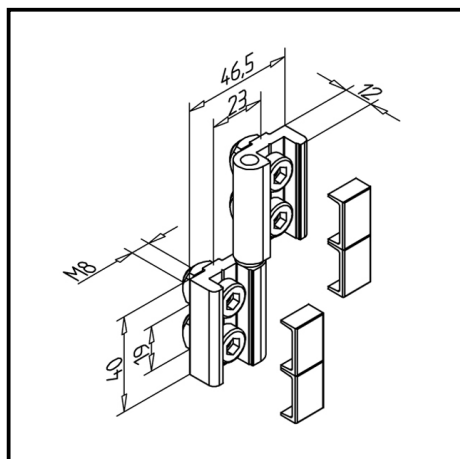


HINGE 19 WITHOUT REAR BAR

Article Nr. 21.1100/2

See the product on the website →



TECHN. DATA / ITEMS SUPPLIED

- Aluminium, anodized E6/EV1
- With stainless steel shaft
- With fastening material steel, zinc plated
- End caps
- Load capacity up to 400 N
- Weight = 0.109 kg/piece

APPLICATIONS

- Detachable doors, hatches, surface elements in a vertical arrangement
- If the hinges are arranged in the opposite direction, non-detachable and horizontally mounted structures can also be produced
- Connection of profiles 19 at various angles

ASSEMBLY

- Fasten to profile groove with supplied hardware
- For fixing directly on surface elements or on profile surfaces we deliver hinge 19 without fixing element **part no. [21.1100/2](#)**
- 1: Lift removable
- 2: Arrangement is not detachable